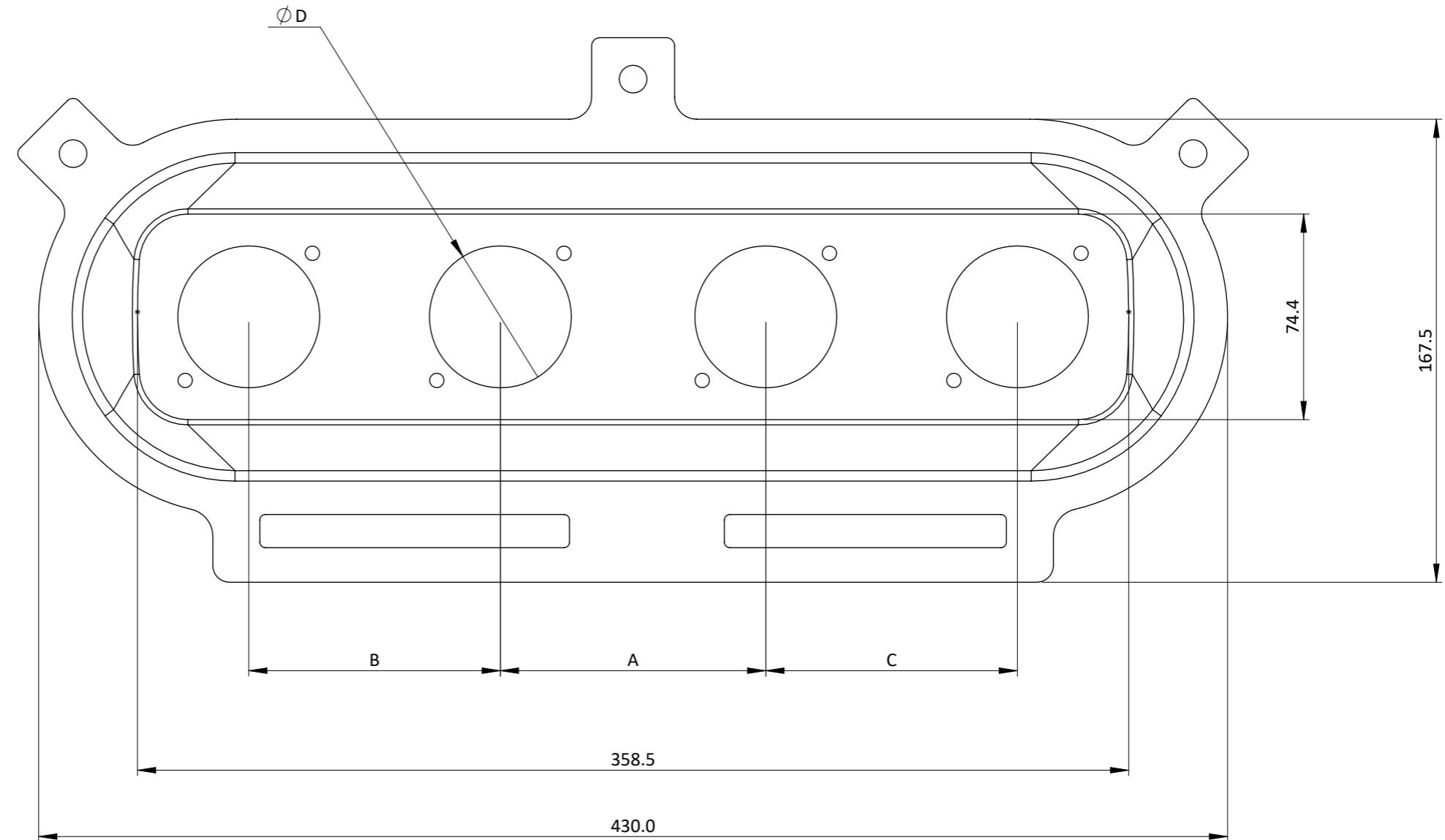
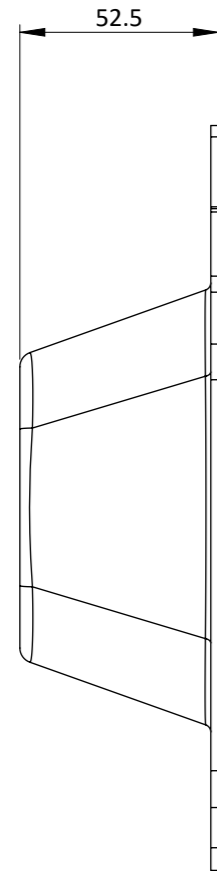


ABB2-50 - AIRBOX BACKPLATE 50DP CARBON MACHINED



Engineered to win

VIEW LOOKING INSIDE AIRBOX



DIMENSIONS REQUIRED FOR BACKPLATE MACHINING:

(ALL DIMENSIONS IN mm)

	TB	SF
A	XX	XX
B	90	XX
C	90	XX
ØD	XX	XX

HORIZONTAL OFFSET = XXmm

VERTICAL OFFSET = XXmm

MAX BACKPLATE SPACING FOR SF & TB BODIES = 292mm

e.g. A + B + C ≤ 292mm

MAX BACKPLATE SPACING FOR SFD BODIES = 286mm

A CARBON FIBRE 50mm DISHED, MOULDED BASE PLATE WHICH HAS BEEN DESIGNED TO CLEAR THE FUEL RAILS ON SF, ST AND TH STYLE BODIES. TO BE USED WITH A JENVEY FILTER OR AIRBOX. MACHINING TO SUIT CUSTOMERS REQUEST.

BACKPLATE VOLUME IS 1.75L.

Frame: 1 of 1

Version: 2

Tel 01746 768810

© JENVEY DYNAMICS LTD. 2021

Web WWW.JENVEY.CO.UK

