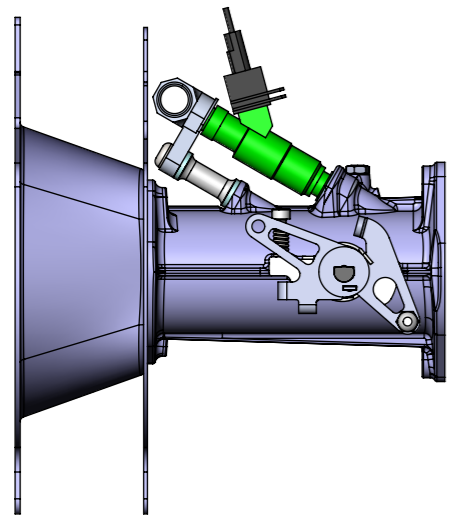


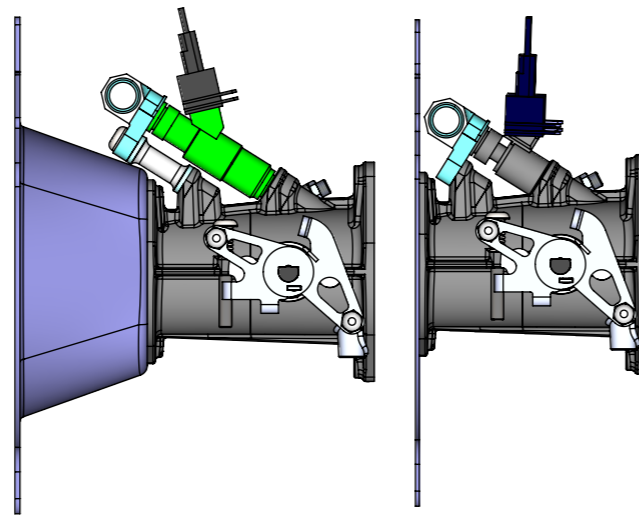
# BACKPLATE FITMENT -



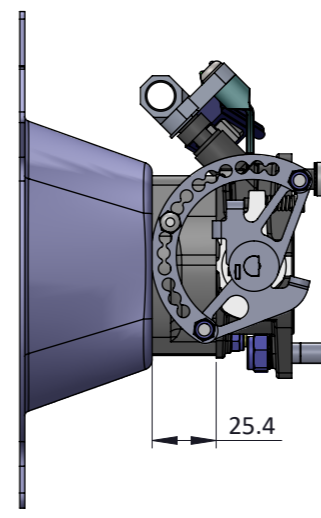
Engineered to win



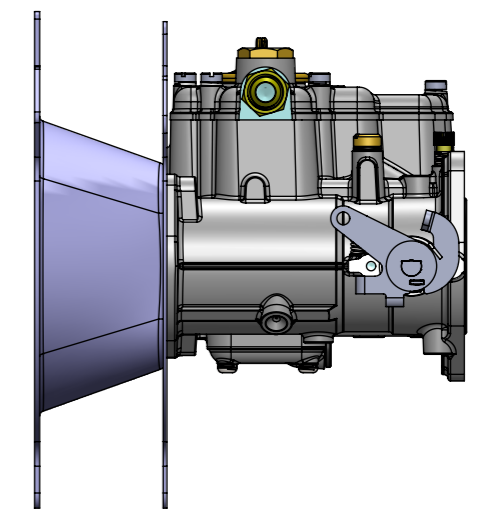
**TB=** LONG EV6 - DISHED & FLAT BACKPLATE  
SHORT PICO - DISHED & FLAT BACKPLATE



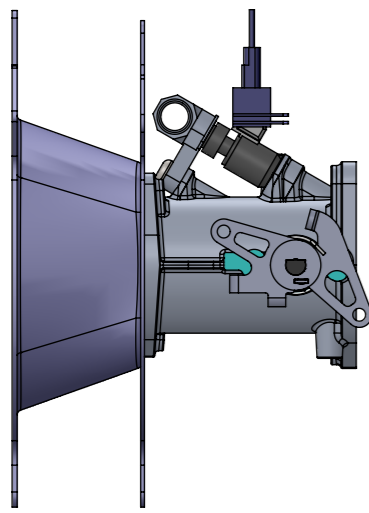
**TH=** LONG EV6 - DISHED CARBON  
SHORT PICO - FLAT BACKPLATE



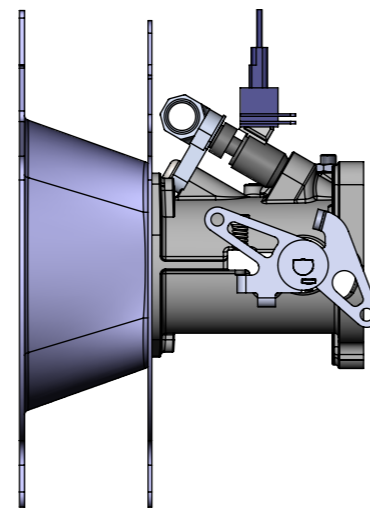
**TS=** SHORT PICO - DISHED CARBON + 25.4 SPACER



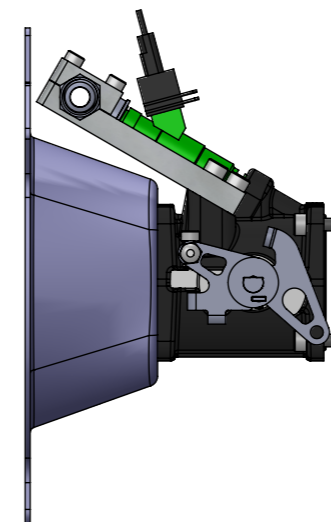
**TD=** BOSCH EV14 COMPACT ONLY - DISHED CARBON & FLAT BACKPLAE



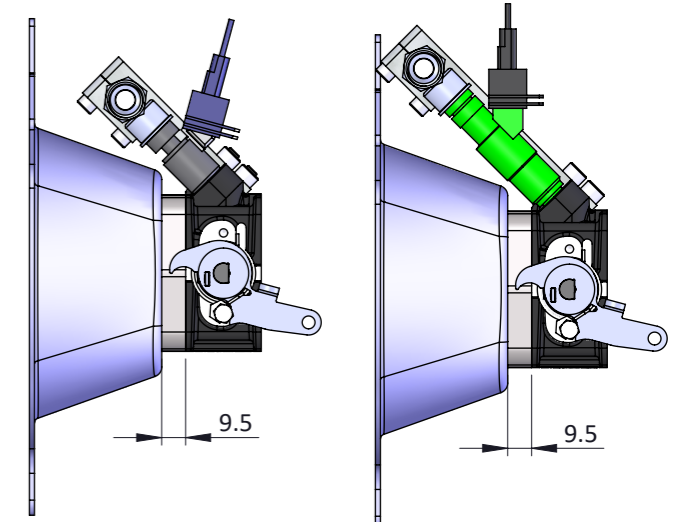
**TF =** SHORT PICO ONLY - DISHED CARBON & FLAT BACKPLATE  
*LONG EV6 INJECTORS CLASH ON BOTH BACKPLATES*



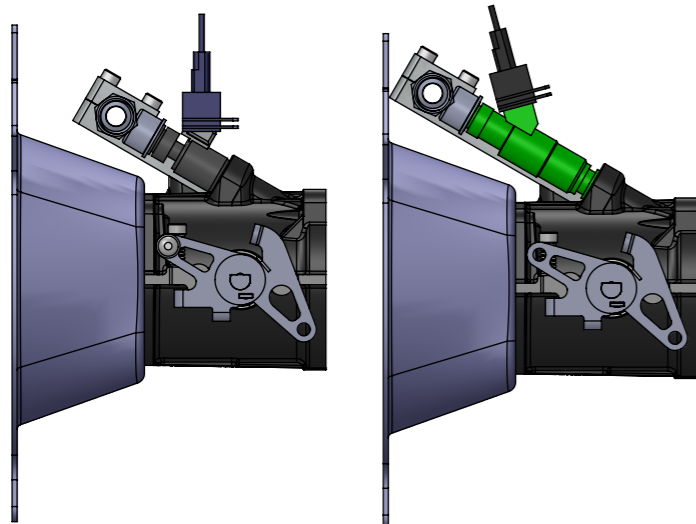
**TA =** SHORT PICO ONLY - DISHED CARBON & FLAT BACKPLATE  
*LONG EV6 INJECTORS CLASH ON BOTH BACKPLATES*



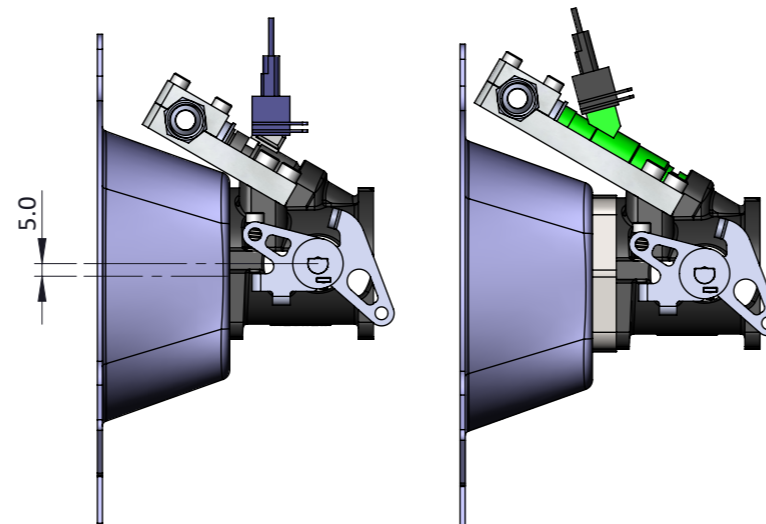
**SF=** LONG EV6 - DISHED CARBON  
SHORT PICO - DISHED CARBON



**SFS=** LONG EV6 - DISHED CARBON + 9.5 SPACER  
SHORT PICO - DISHED CARBON + 9.5 SPACER



**SSD =** LONG EV6 - DISHED CARBON  
SHORT PICO - DISHED CARBON



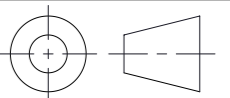
**ST =** LONG EV6 - DISHED CARBON WITH 5mm OFFSET + 9.5 SPACER  
SHORT PICO - DISHED CARBON WITH 5mm OFFSET

Frame: 1 of 1

Version: 1

Tel: 01746 768810

Web: WWW.JENVEY.CO.UK



© JENVEY DYNAMICS LTD. 2025  
All rights reserved.