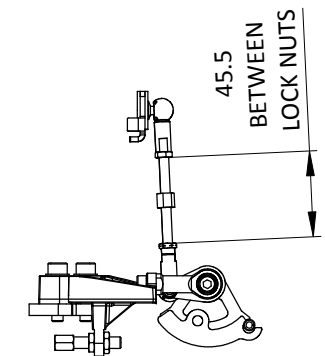
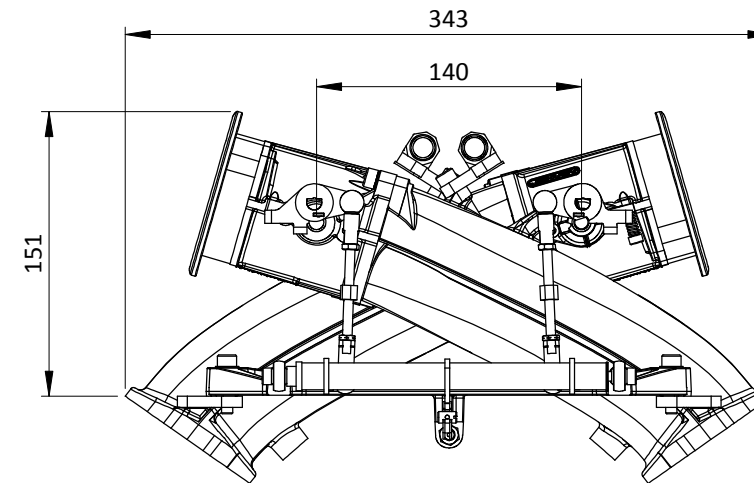
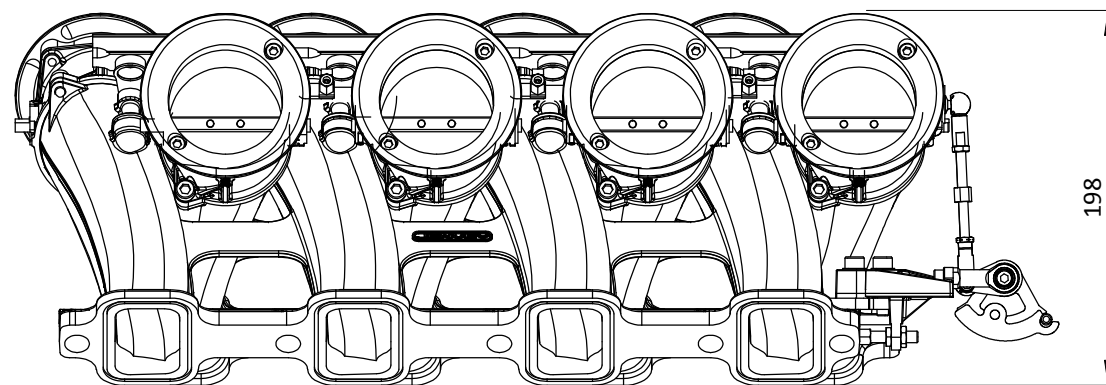
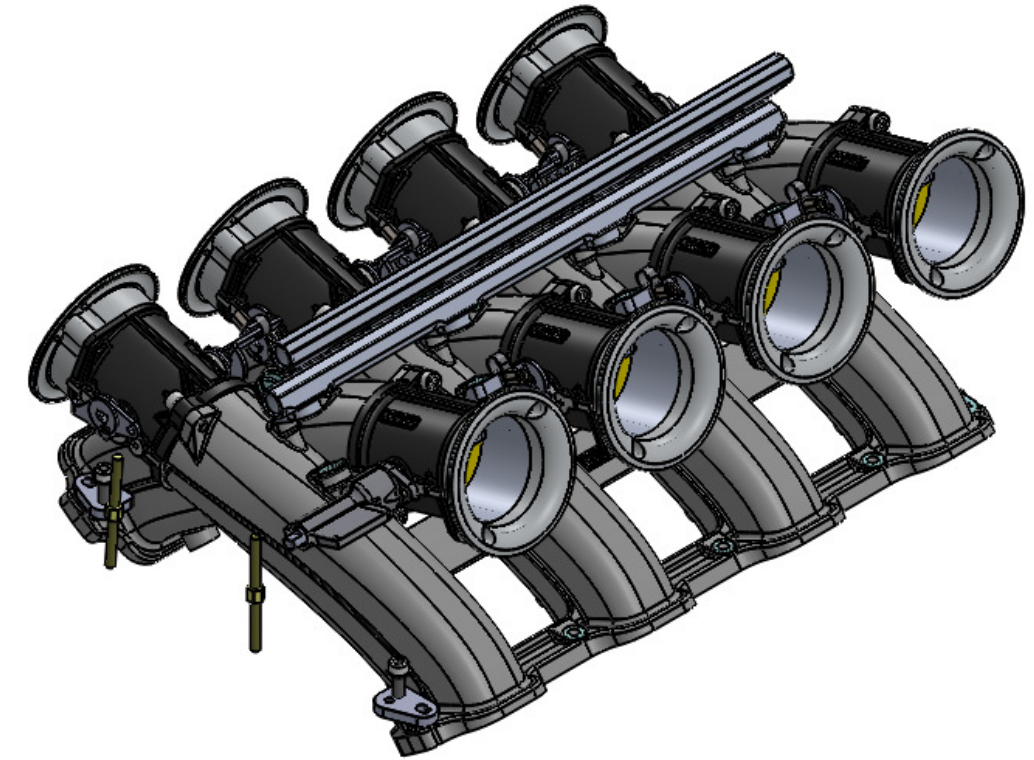
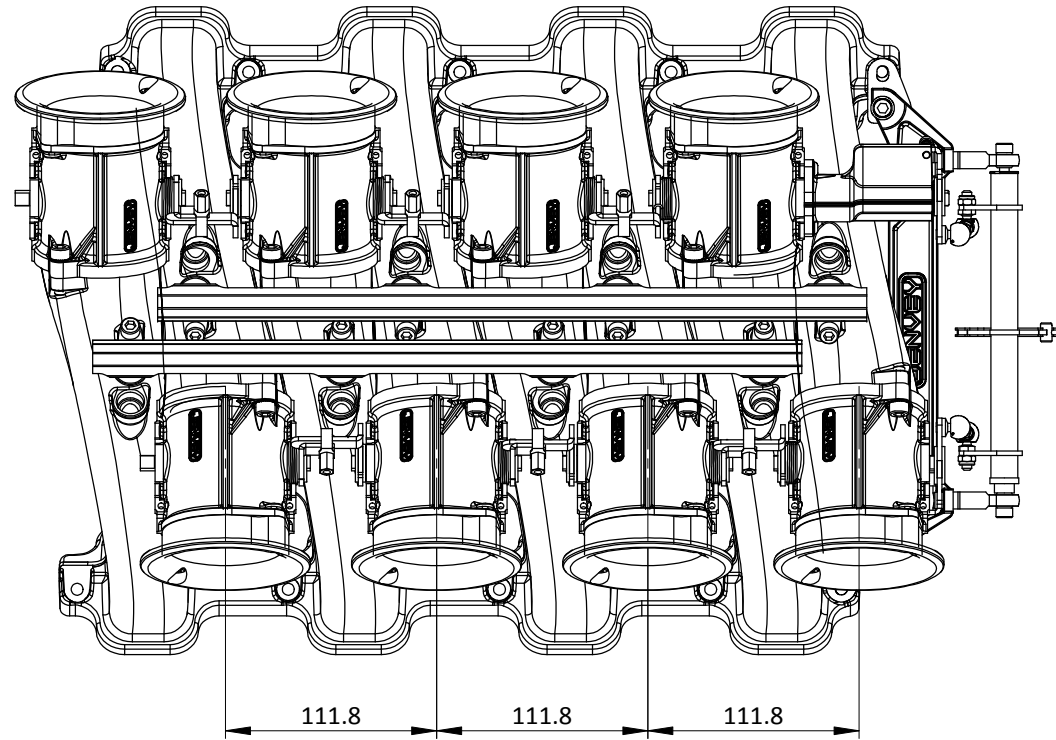


# CKCT06 - LS7 CROSSOVER



Engineered to win



CLV5-SSD  
LINKAGE ROD END LENGTH

THE JENVEY CHEVROLET LS7 ITB CROSSOVER THROTTLE BODY KIT, INCLUDES; EIGHT SSD60/60/58, Ø60 BUTTERFLY, THROTTLE BODIES WITH A CLV3 LS CROSSOVER LINKAGE KIT, TWO EFI INLET MANIFOLDS, TWO FUEL RAILS, AND EIGHT 20MM LONG BILLET AIRHORNS . DESIGNED SPECIFICALLY FOR MOTORSPORT APPLICATIONS. OFFERING EXCEPTIONAL PERFORMANCE LIGHTNESS RELIABILITY AND LOOKS. USING OUR MODULAR COMPONENTS OFFERS HUGE OPPORTUNITY FOR BESPOKING TO MATCH YOUR APPLICATION.

Frame: 1 of 1

Version: 2

Tel 01746 768810

© JENVEY DYNAMICS LTD. 2015

Web WWW.JENVEY.CO.UK

