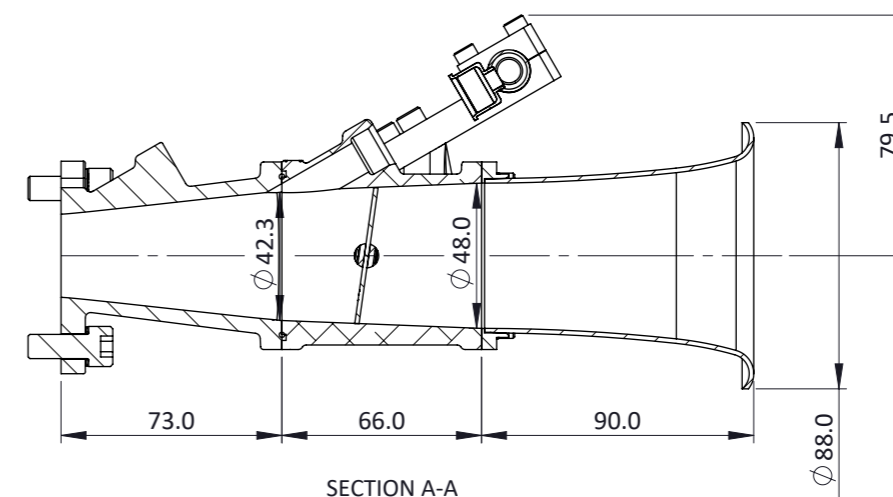
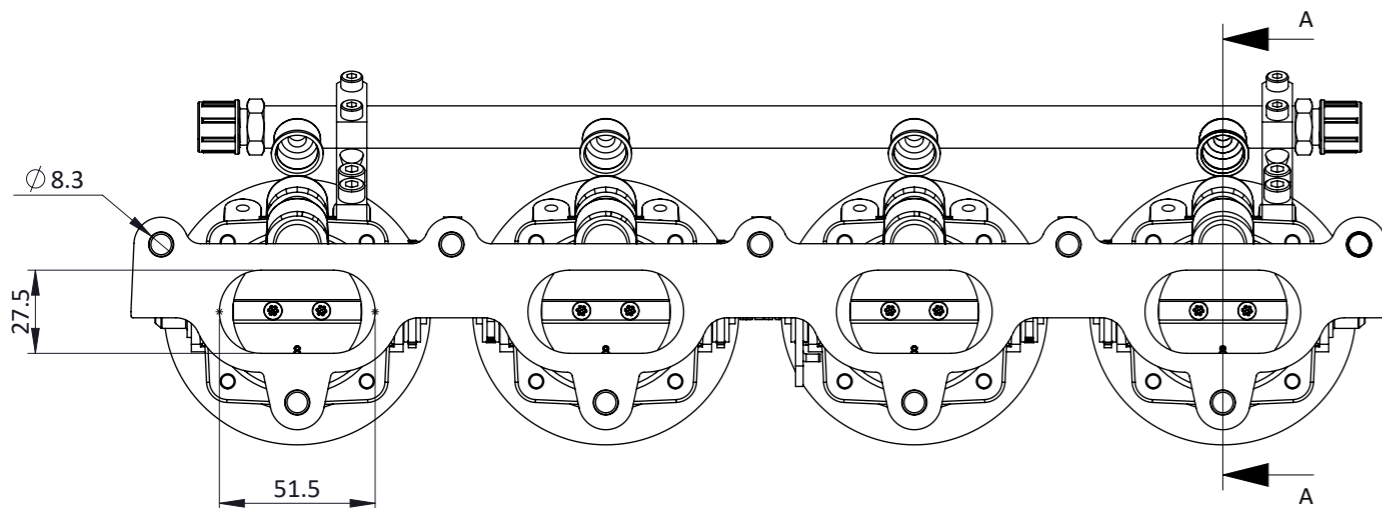
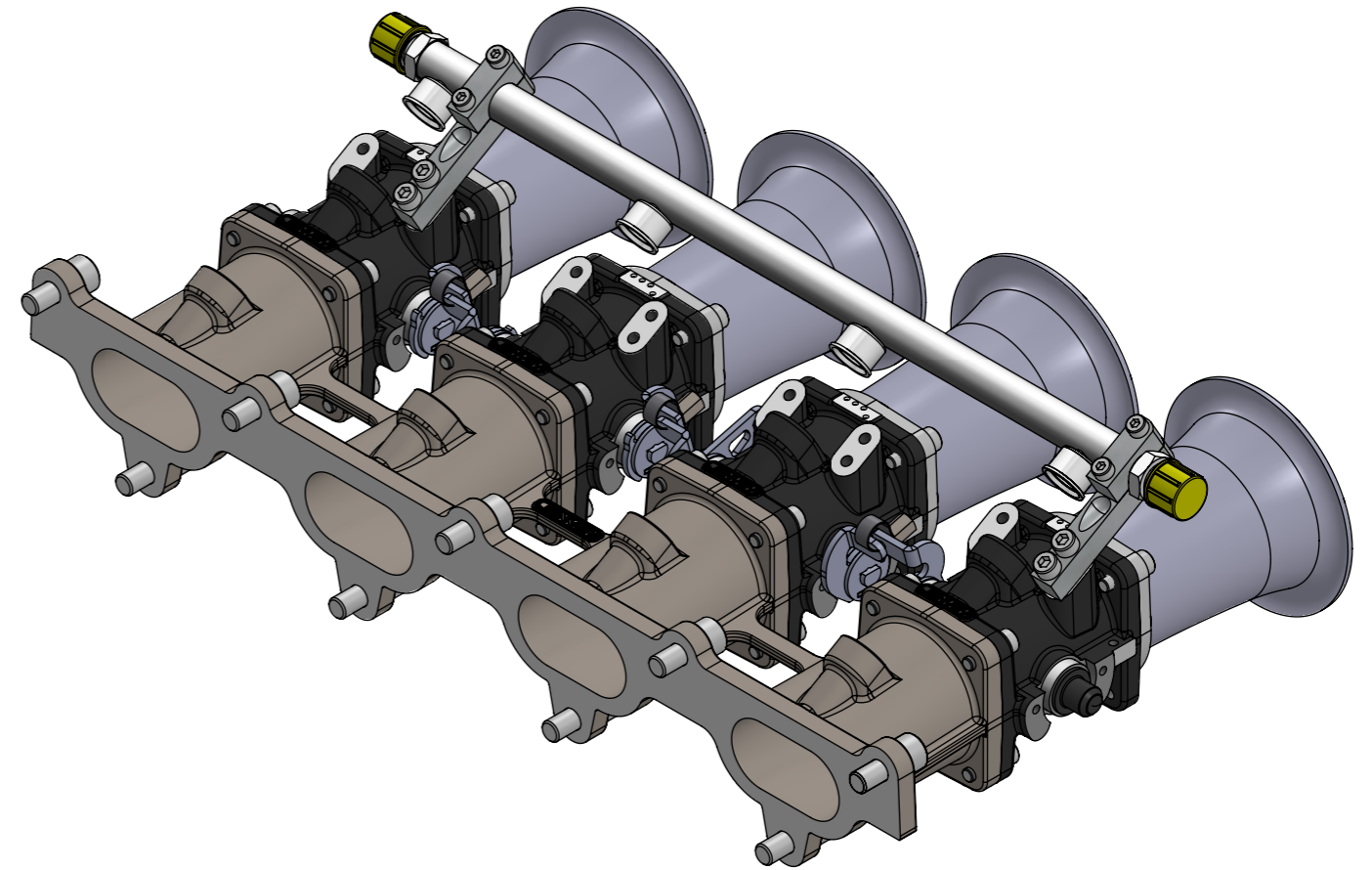
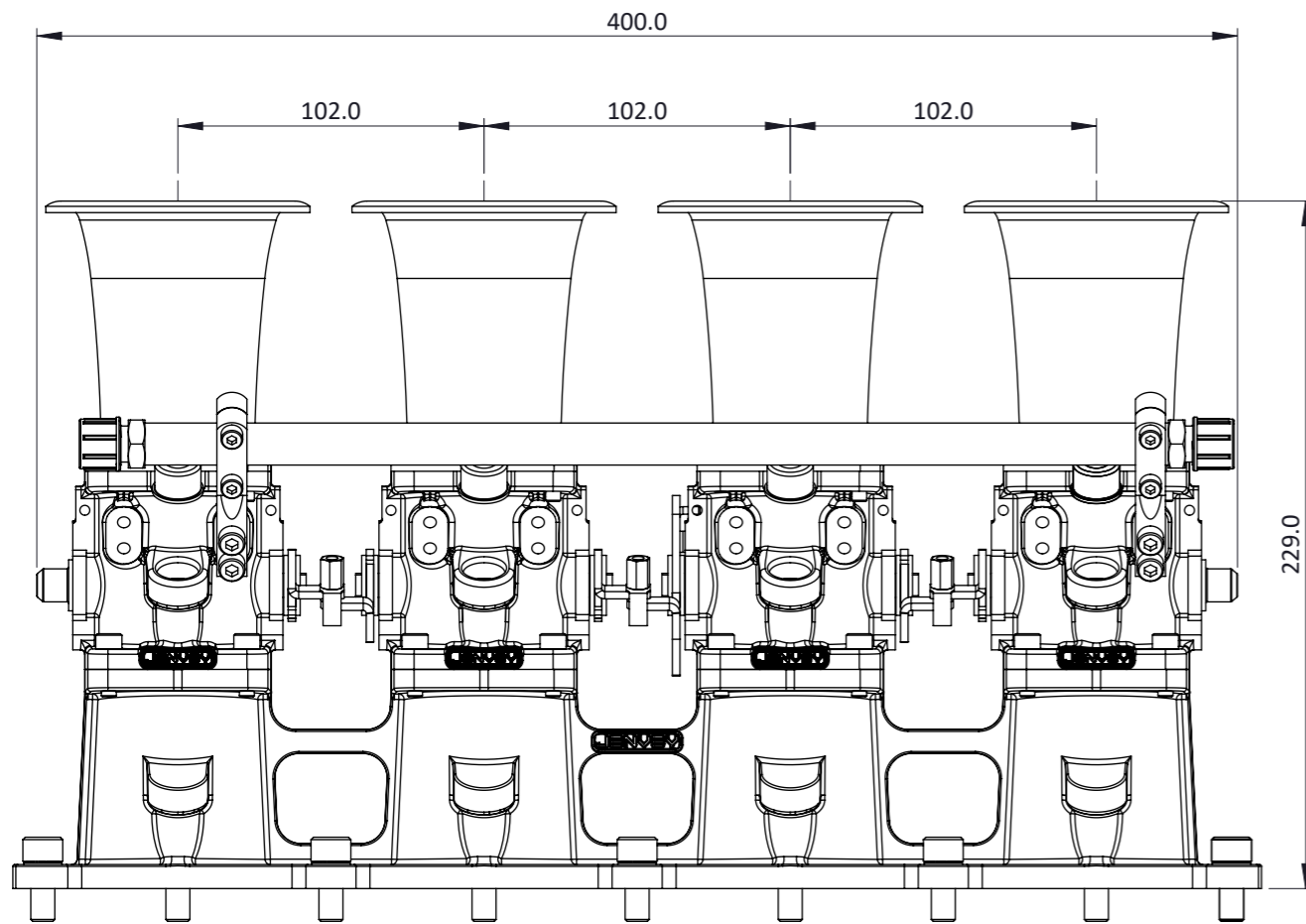


CKFD01-WEB - COSWORTH YB - SF48 TAPER KIT



Engineered to win



Ford Individual Throttle Body (ITB) kit for fuel injecting your Ford YB Cosworth engine which contains an inlet manifold, four Ø48mm taper SF throttle bodies (Ø45mm butterfly), fuel rail and 90mm long airhorns. This engine is widely used in escort rally cars and kit cars. Made to order.

Flanges for Jenvey SF throttle bodies. May be ported up to 50mm at body flange and proportionally at head flange

Undrilled bosses on top side for idle air / vacuum take off / injectors / etc.

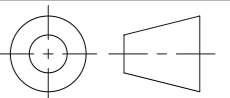
Option of machined injector pockets.

Frame: 1 of 1

Version: 1

Tel: 01746 768810

Web: WWW.JENVEY.CO.UK



© JENVEY DYNAMICS LTD. 2024
All rights reserved.