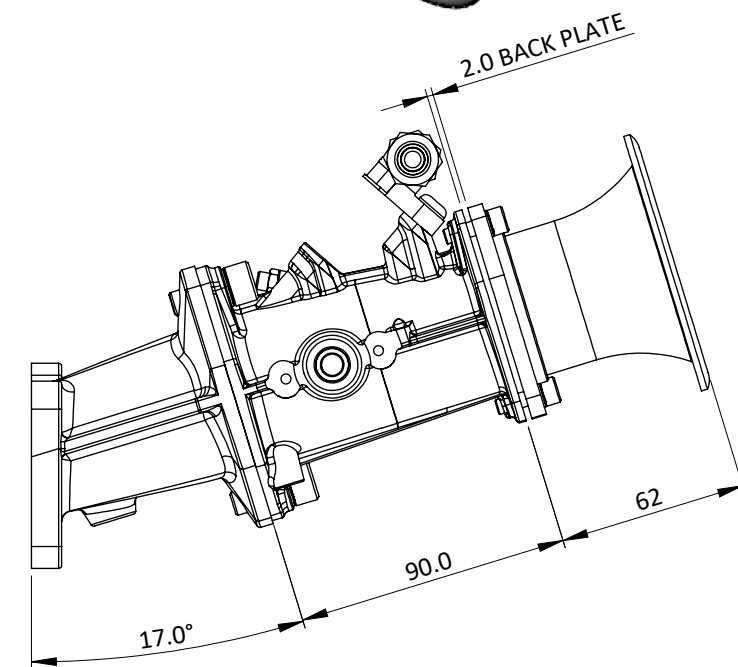
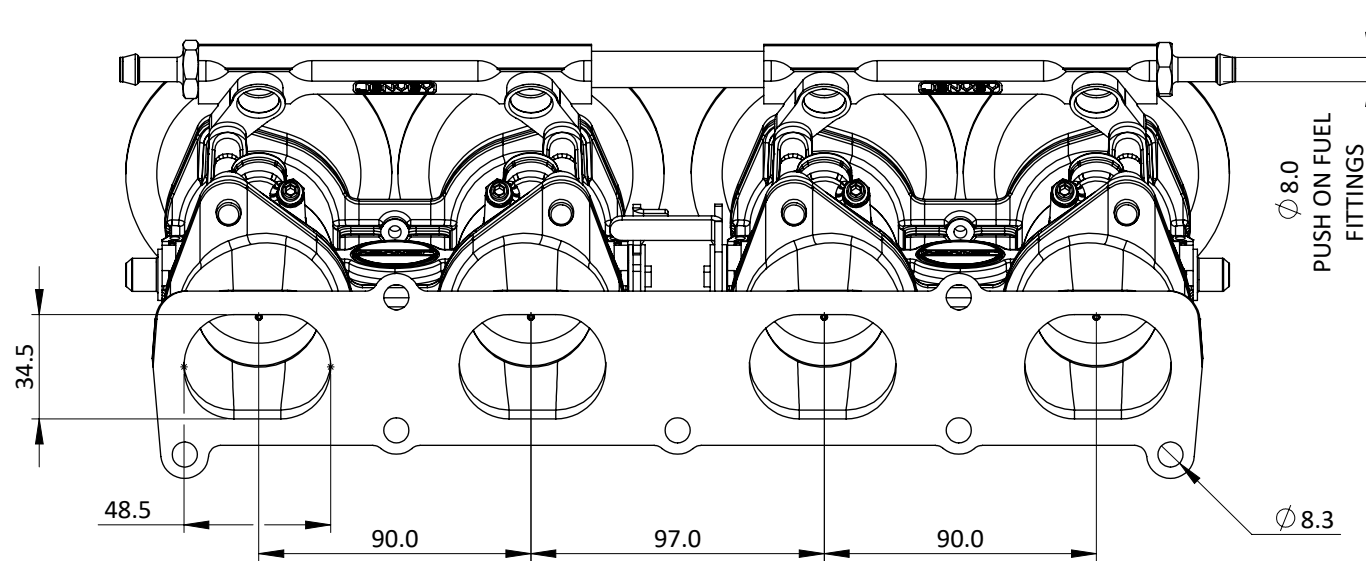
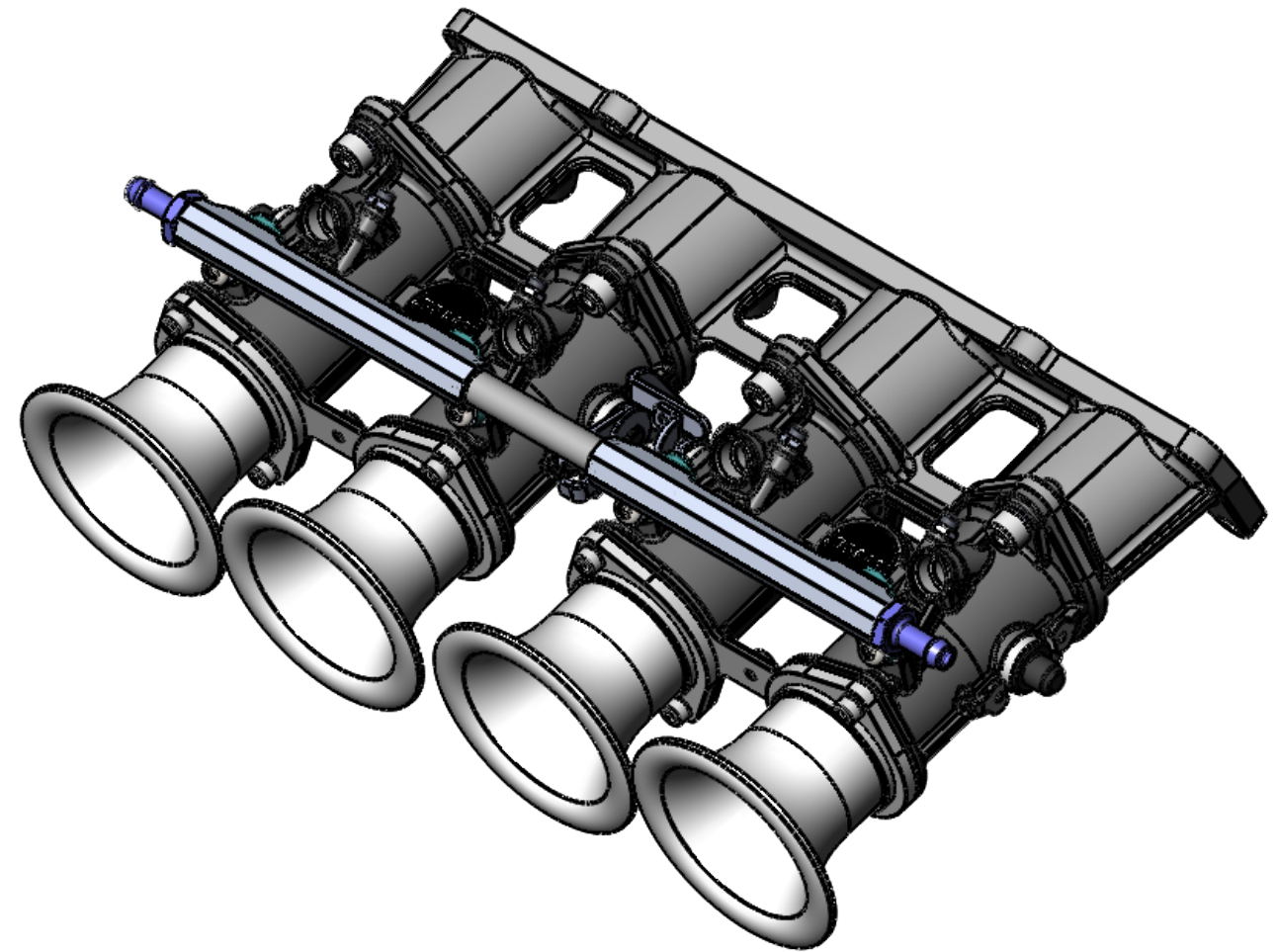
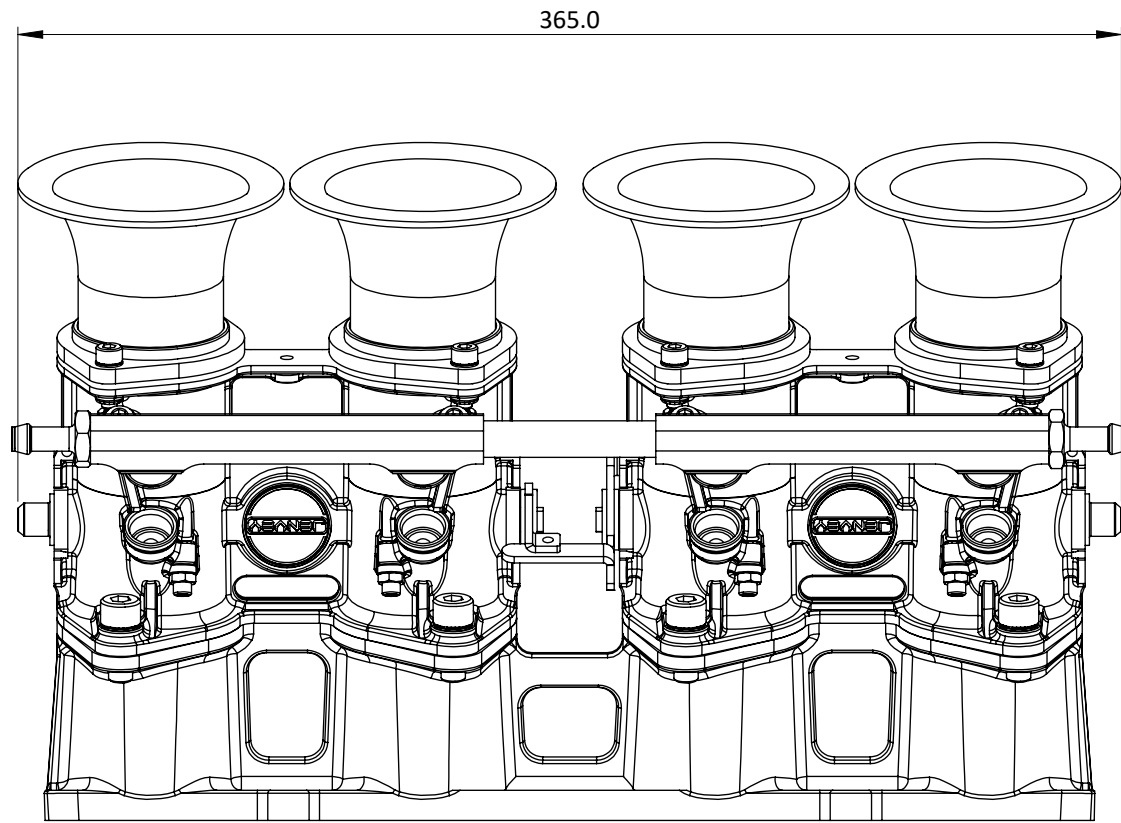


# CKFD07-TH - FORD 2L DURATEC - THP45 KIT



Engineered to win



A Twin Body kit for the 2.0L Ford Duratec engine which contains an inlet manifold, two 45mm T5 throttle bodies, aluminium fuel rails and 60mm long airhorns. Ideal for track, road or rally. The Ford Duratec engine is used widely in the Ford range as well as Caterham, Westfield and several kit cars.

Frame: 1 of 1

Version: 1

Tel 01746 768810

© JENVEY DYNAMICS LTD. 2021

Web WWW.JENVEY.CO.UK

