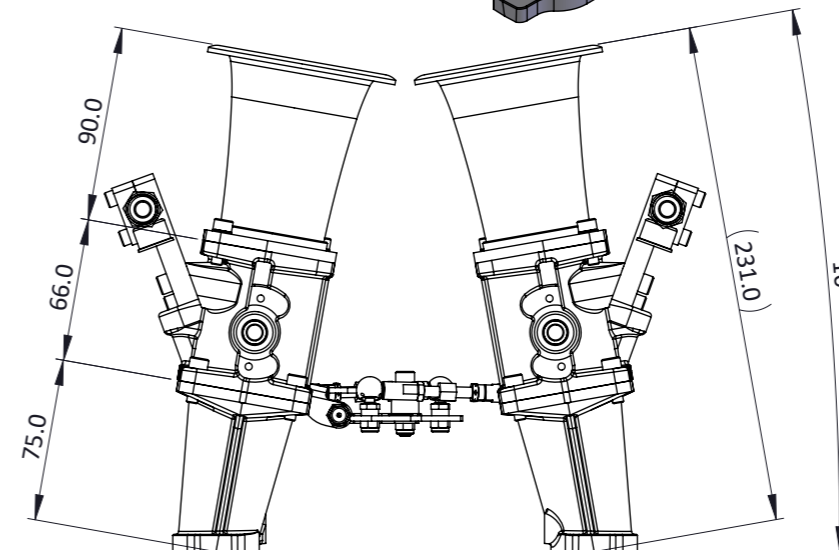
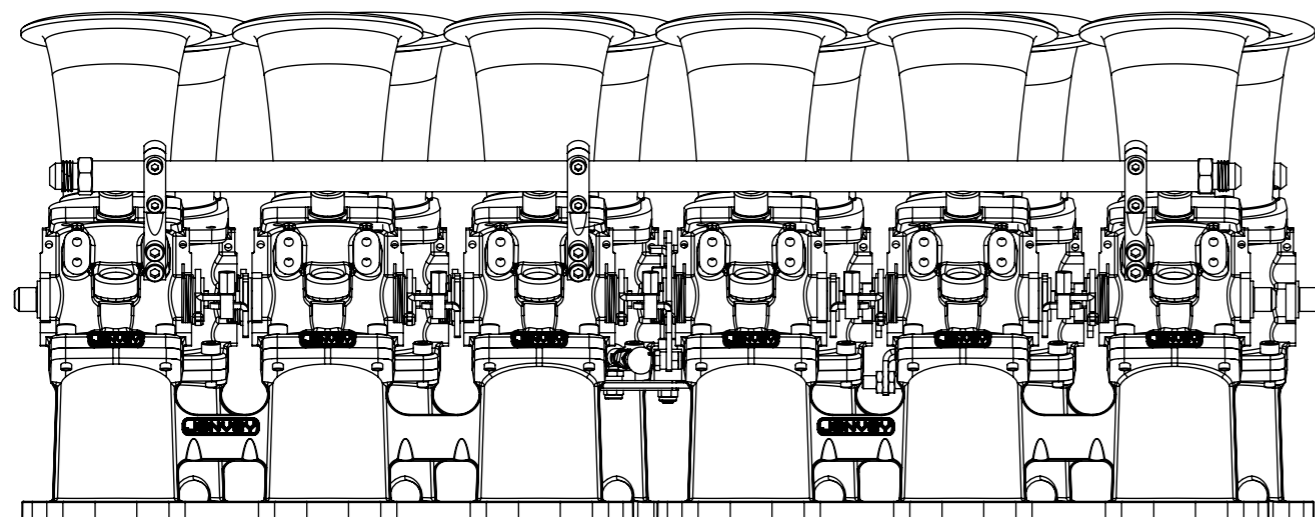
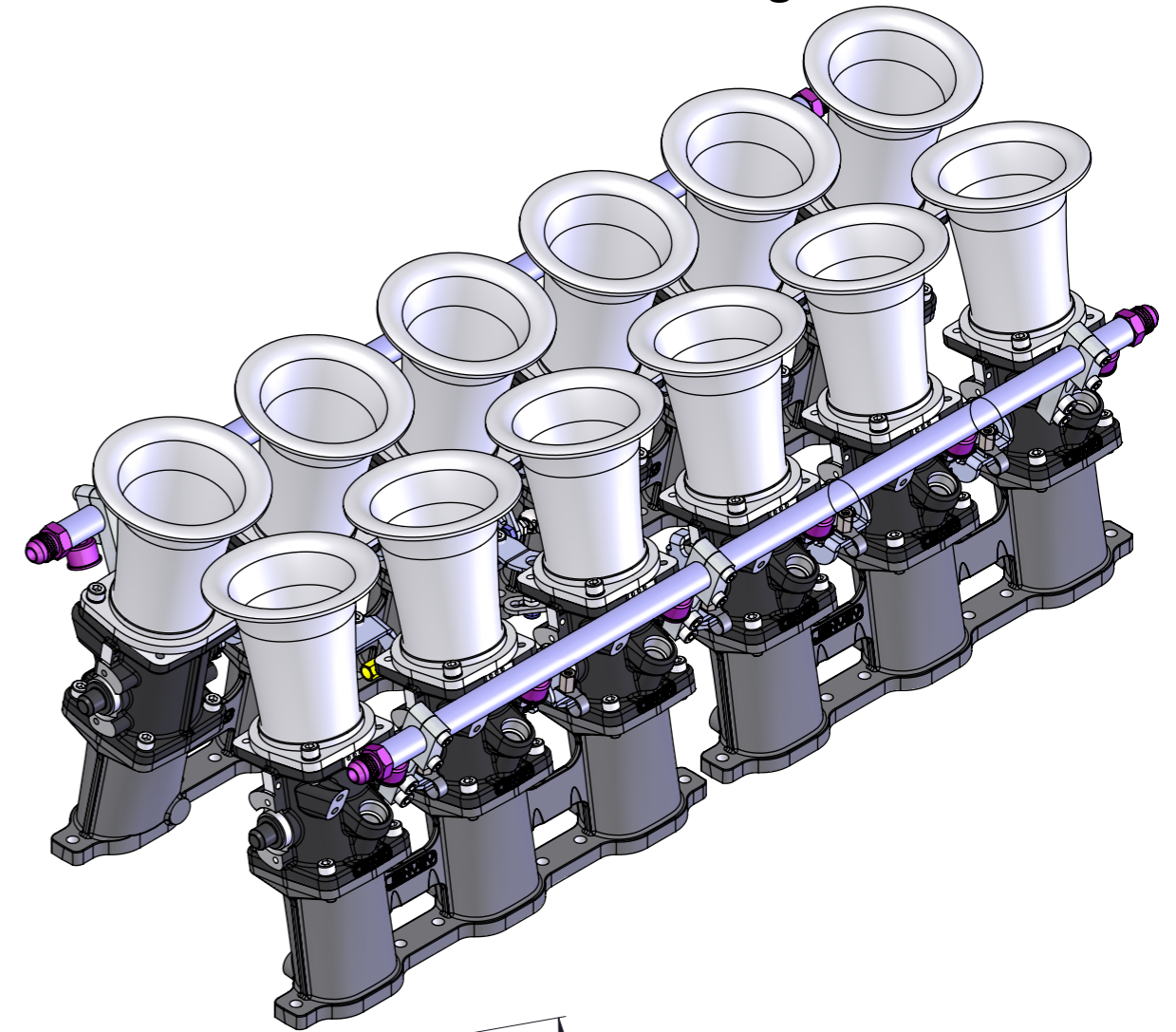
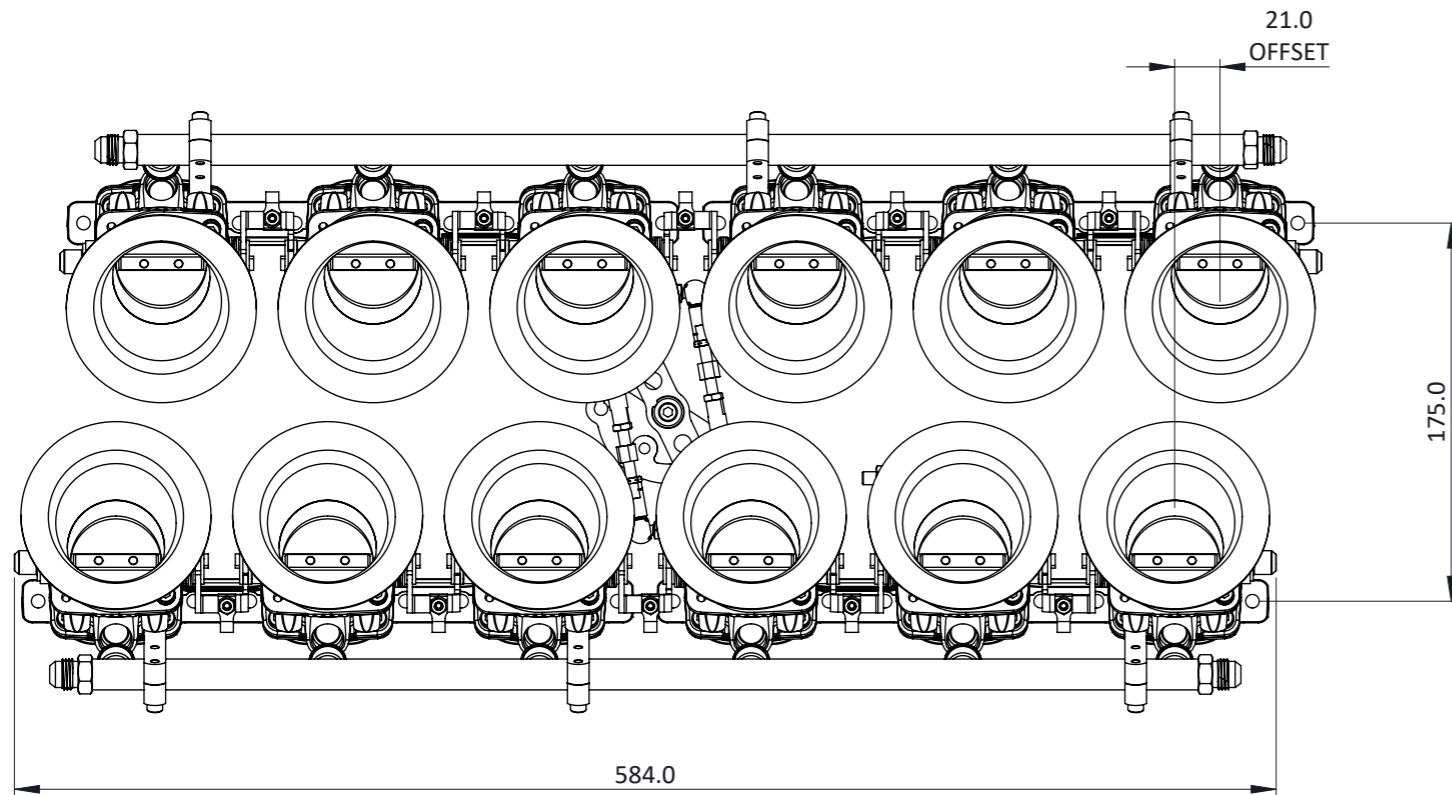


# CKFR01-WEB - Ferrari 575M & 550 V12 Kit



Engineered to win



Ferrari Individual Throttle Body (ITB) kit for fuel injecting your Ferrari 575 or 550 which includes manifolds, twelve SF 45mm taper injected throttle bodies, fuel rails, 90mm long airhorns and linkage. Made to order.

Flanges for Jenvey SF throttle bodies. May be ported up to 46mm at body flange and proportionally at head flange.

Manifolds - MFR01 see separate drawing for details, Undrilled tapping bosses for brakes, fast idle valve, sensors etc.

Frame: 1 of 1

Version: 2

Tel 01746 768810

© JENVEY DYNAMICS LTD. 2021

Web WWW.JENVEY.CO.UK

