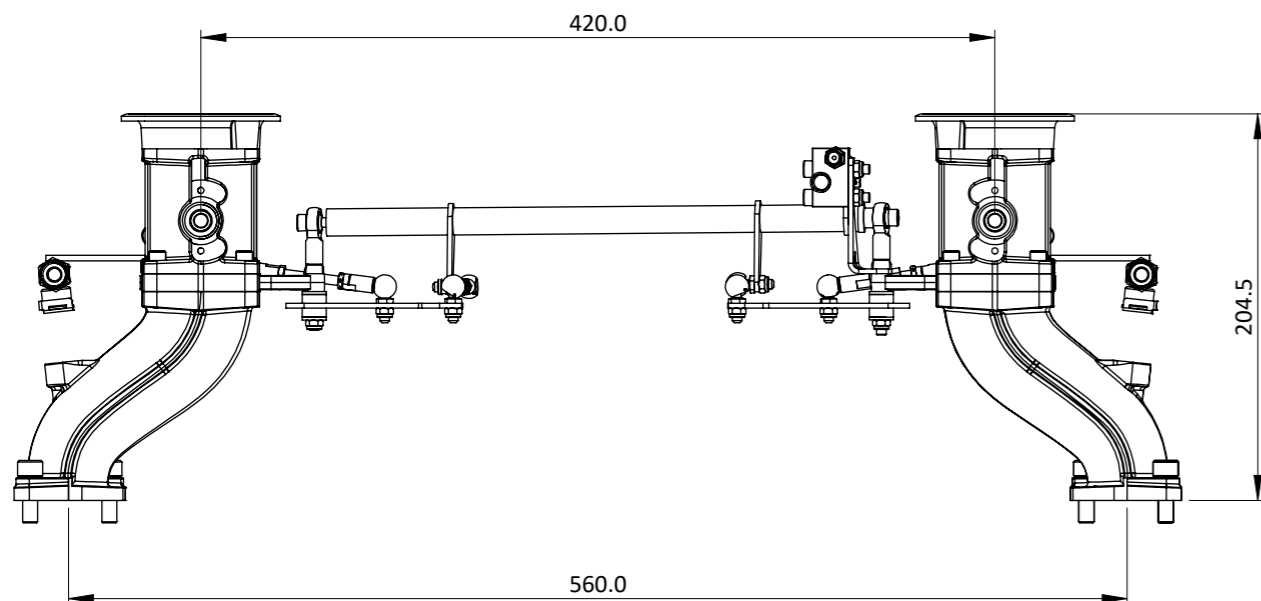
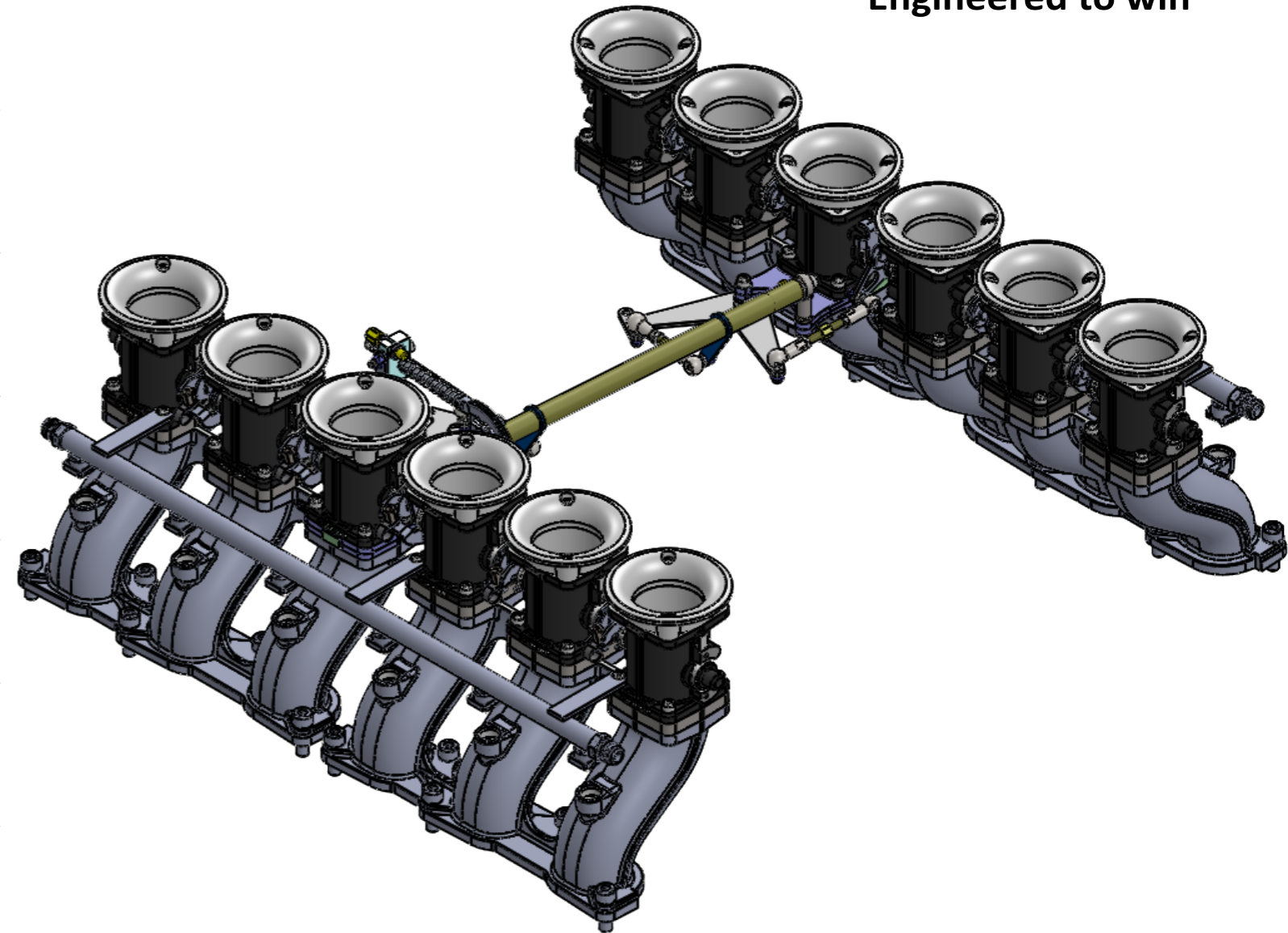
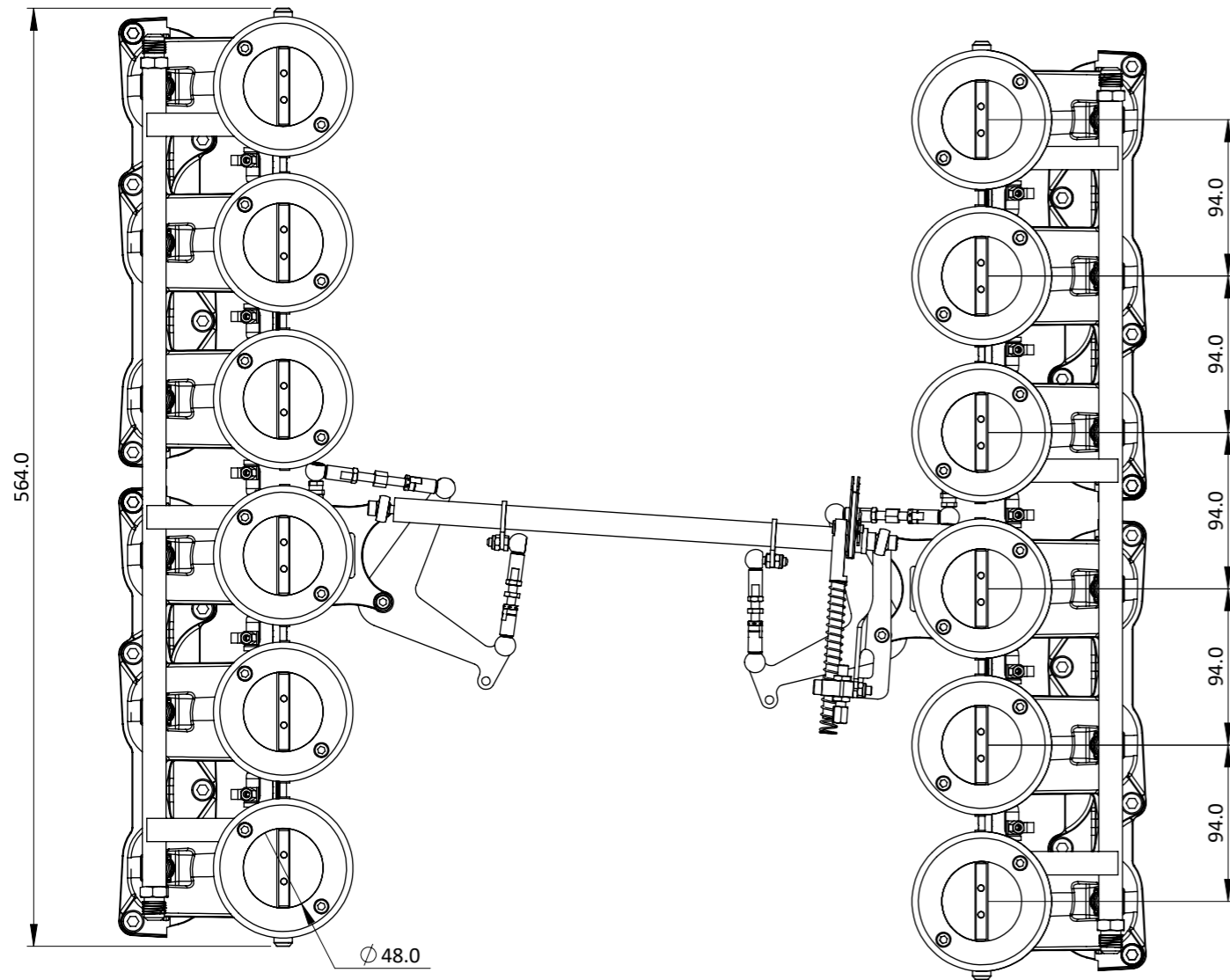


CKFR02- Ferrari Testarossa V12



Engineered to win



Online edition:



Flanges for Jenvey single (SF, SFS) throttle bodies. Ø48mm bodies with sufficient material in manifold to allow matching to ported cylinder heads.

Frame: 1 of 1

Version: 2

Tel 01746 768810

© JENVEY DYNAMICS LTD. 2015

Web WWW.JENVEY.CO.UK

