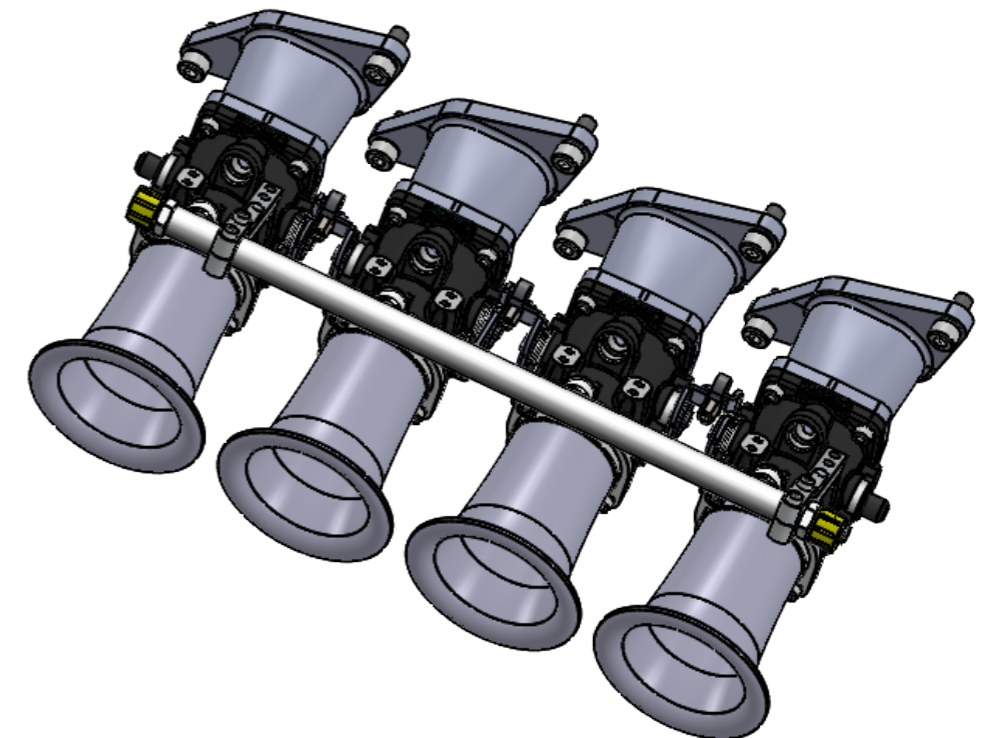
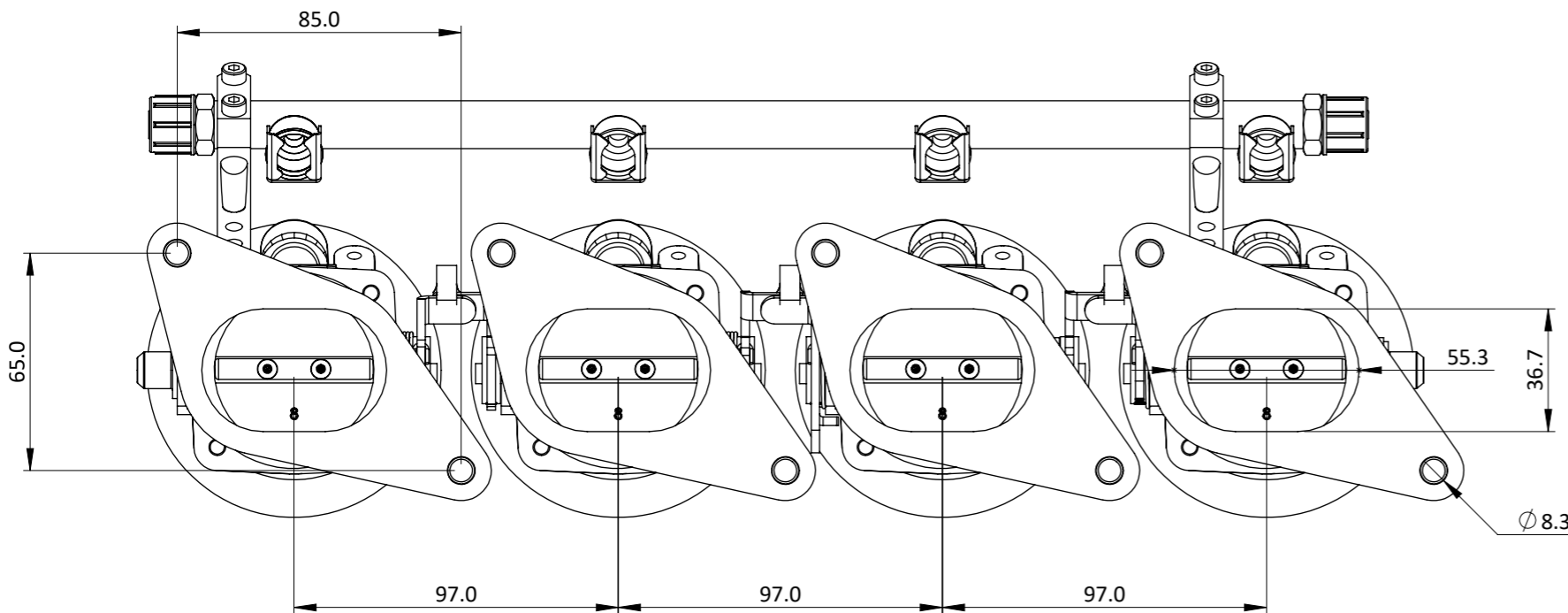
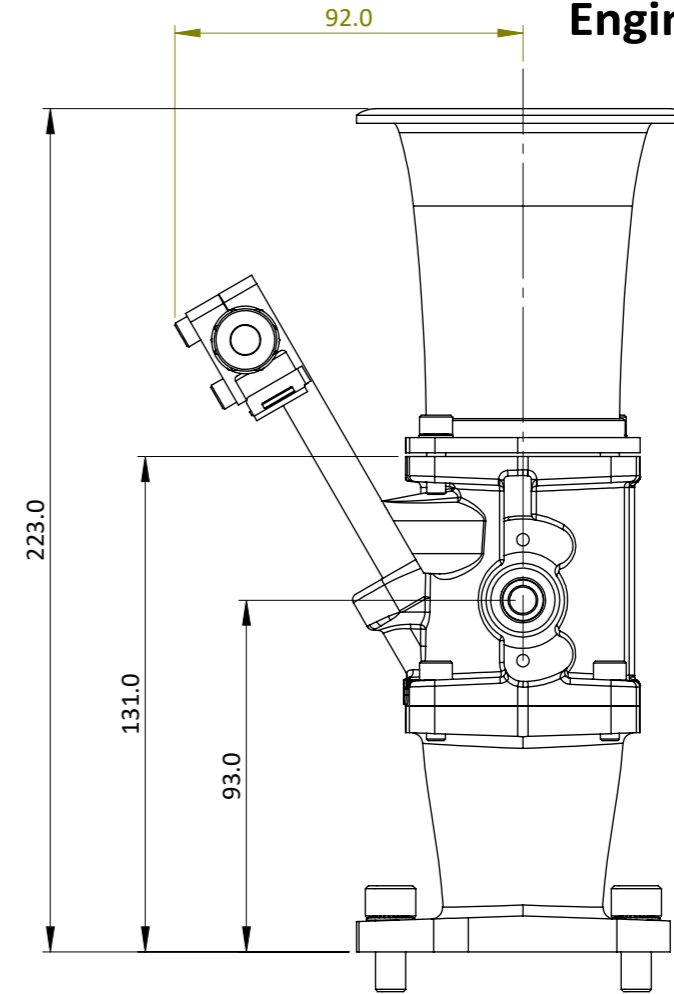
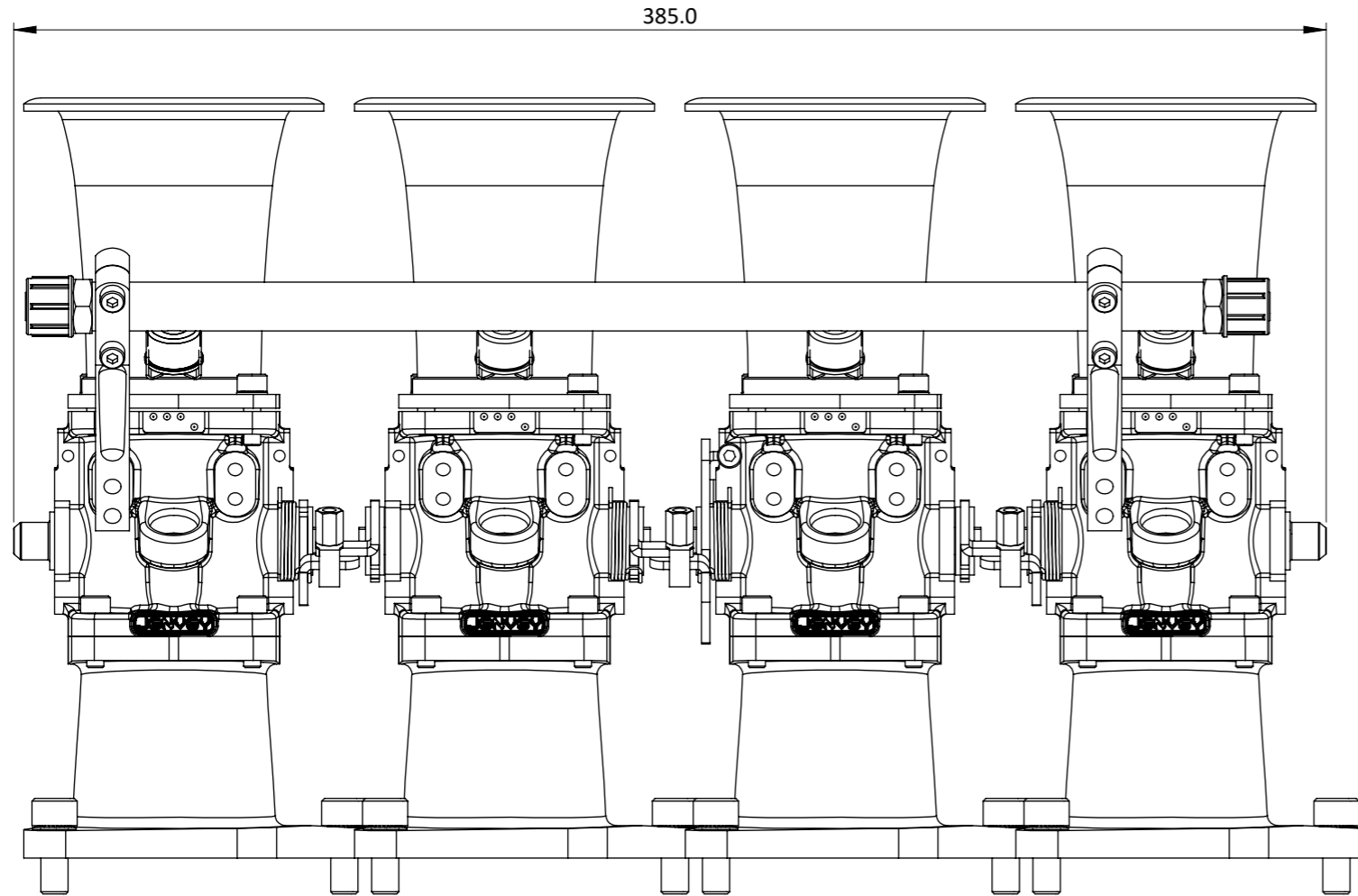


# CKNN01 - NISSAN SR20DE - SF48 KIT



Engineered to win



High Port SR20VE - Will not fit the DET version  
 Four 48mm taper throttle bodies, fuel rail with mountings and 90mm long airhorns.  
 This engine was used in the Primera and other Nissan's  
 Bottom flange is the same as SR20DE - will work with a SR20DE block and SR20VE head

Frame: 1 of 1	
Version: 2	
Tel 01746 768810	© JENVEY DYNAMICS LTD. 2015
Web WWW.JENVEY.CO.UK	