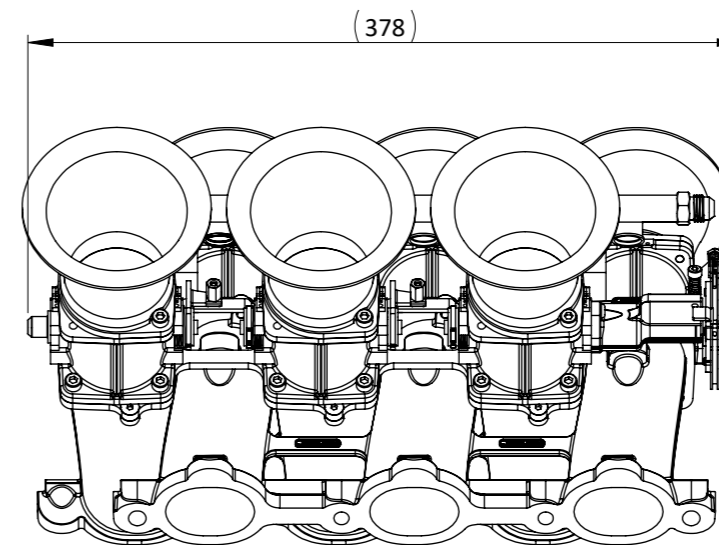
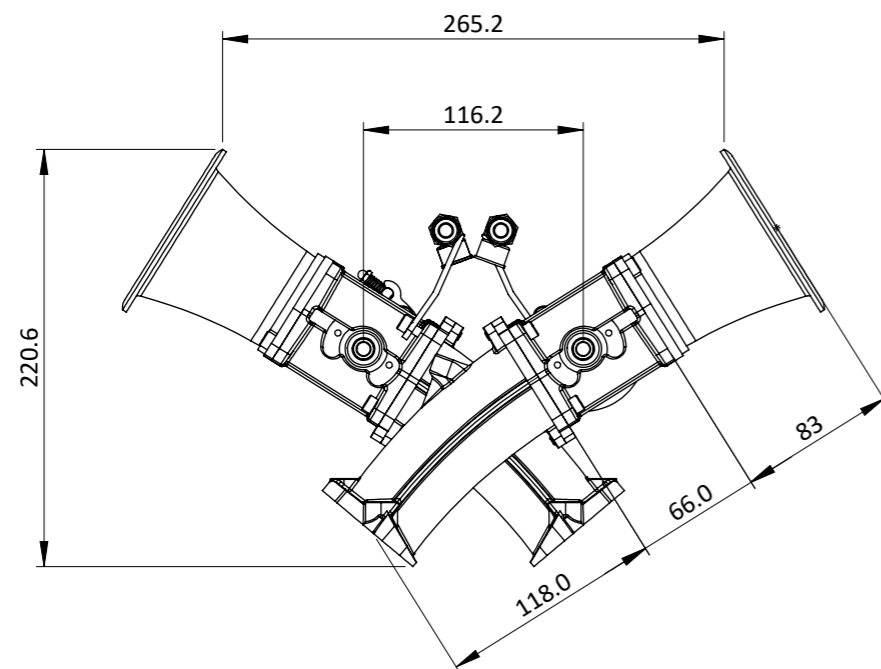
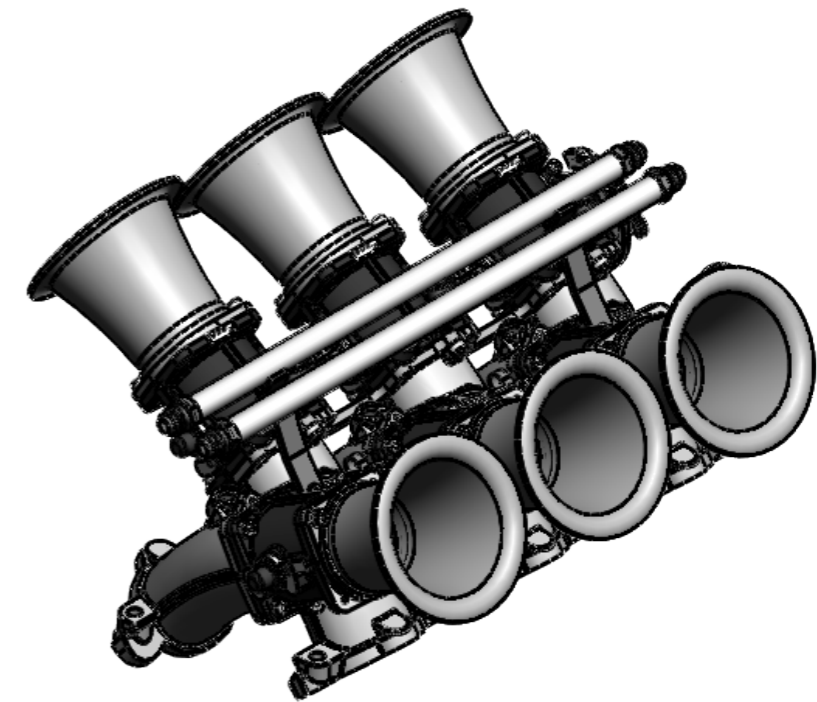
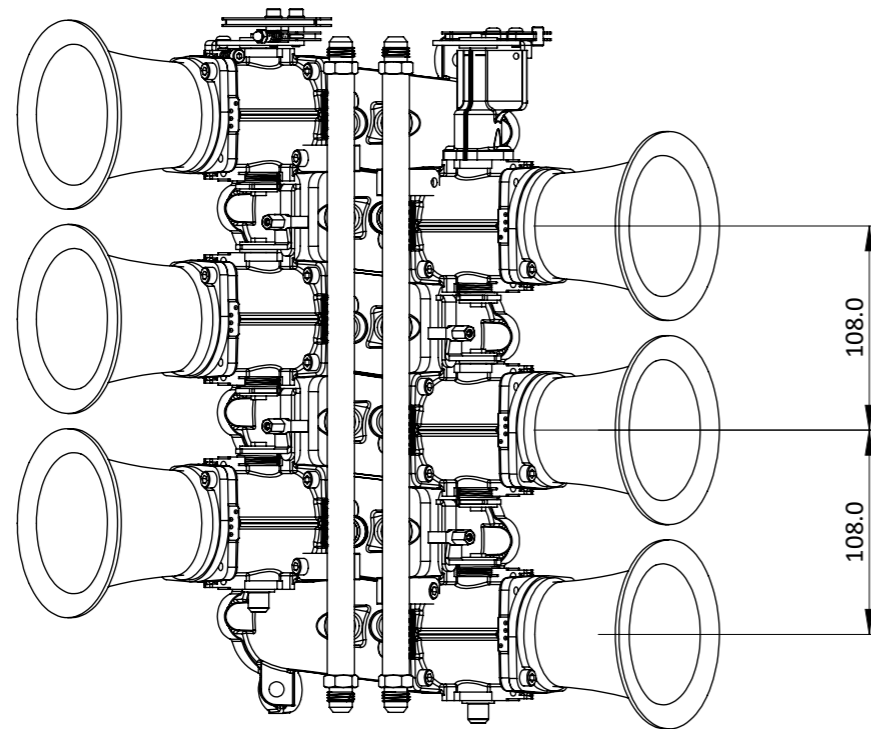


CKNN02 - NISSAN VQ 3.5L SF51 TAPER KIT



Engineered to win



A KIT FOR THE NISSAN VQ SERIES ENGINE WHICH INCLUDES A PAIR OF MANIFOLDS, SIX 51mm SF51 TAPERED BODIES, LINKAGE, FUEL RAILS WITH DASH 6 ENDS AND SIX AHT51X83 STRAIGHT AIRHORNS. (DOES NOT INCLUDE INJECTORS)
NOTE, THIS KIT DOES NOT FIT UNDER THE 350Z BONNET. SEE CKNN02C FOR THE 350Z KIT.
THE ENGINE IS USED BY INFINITI IN SEVERAL MODELS IN THE US AND THE 350Z IN THE UK AS WELL AS CERTAIN RENAULTS.
MADE TO ORDER.

Frame: 1 of 1

Version: 2

Tel 01746 768810

© JENVEY DYNAMICS LTD. 2015

Web WWW.JENVEY.CO.UK

