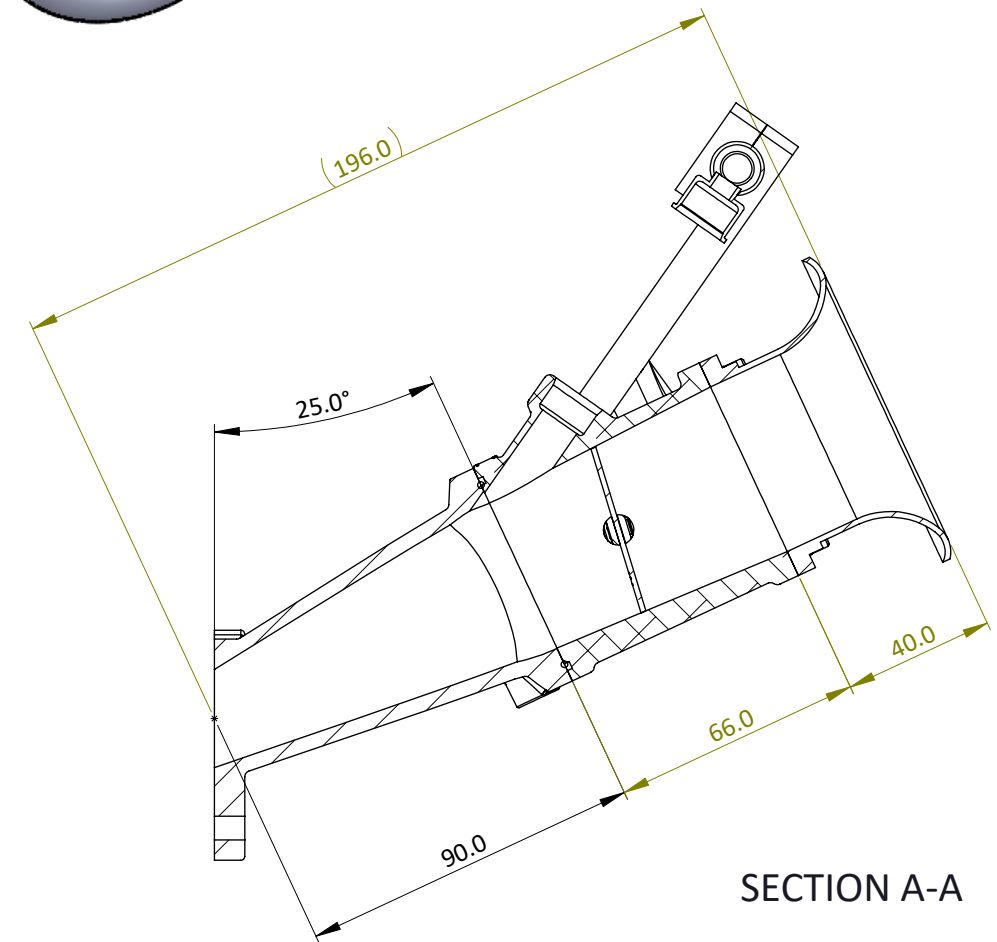
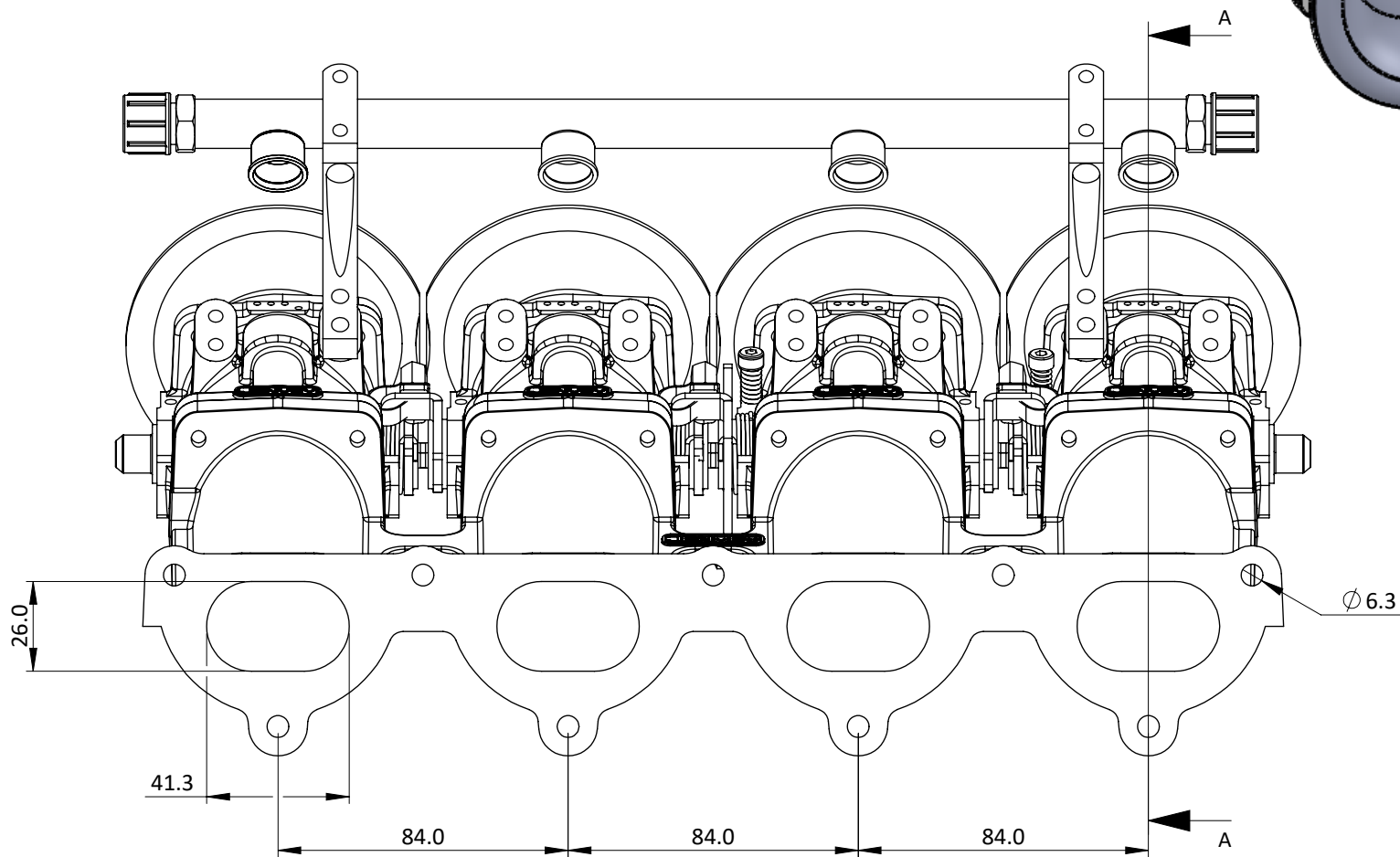
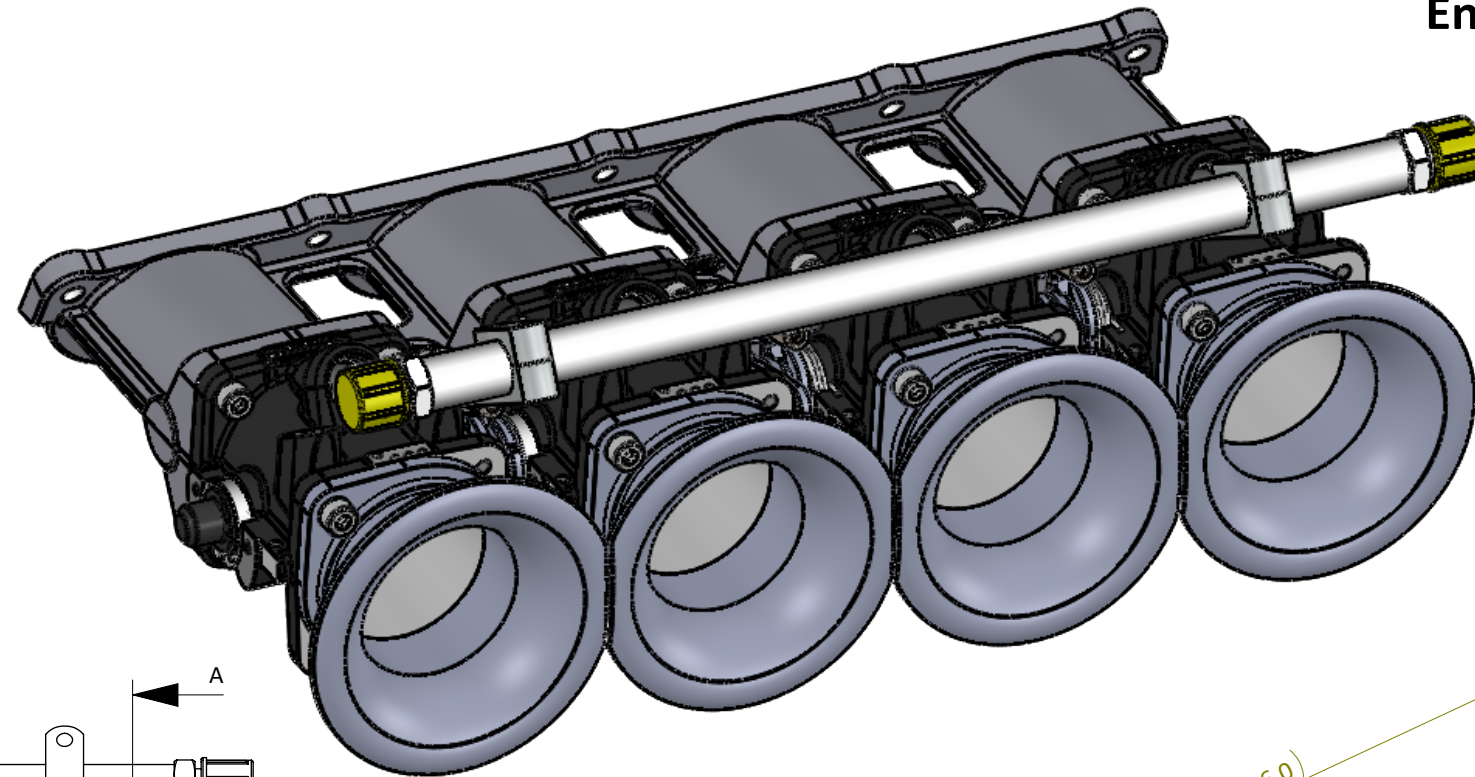


CKPG01L - Peugeot Citroen 1600cc TU5 ITB throttle body kit



Engineered to win



For Jenvey SF bodies with spindle modification - $\phi 48$ inlet, $\phi 45$ butterfly
 May be ported out to 45mm at body flange and proportionally at head flange.
 2 bosses at ends and 4 on underside for vacuum tappings.

Two kits available:

CKPG01 - ST45 Taper kit - ST Throttle Bodies - see drawing CKPG01

CKPG01L - SF48 Taper Kit - SF Throttle Bodies - Current drawing

Frame: 1 of 1

Version: 3

Tel 01746 768810

© JENVEY DYNAMICS LTD. 2021

Web WWW.JENVEY.CO.UK

