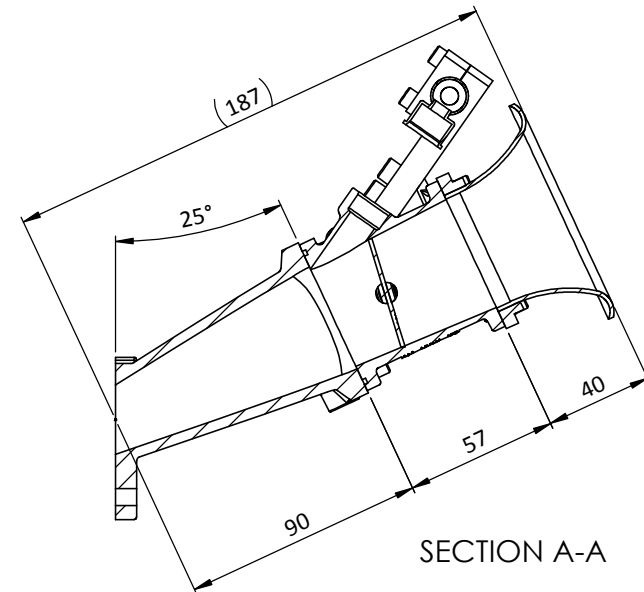
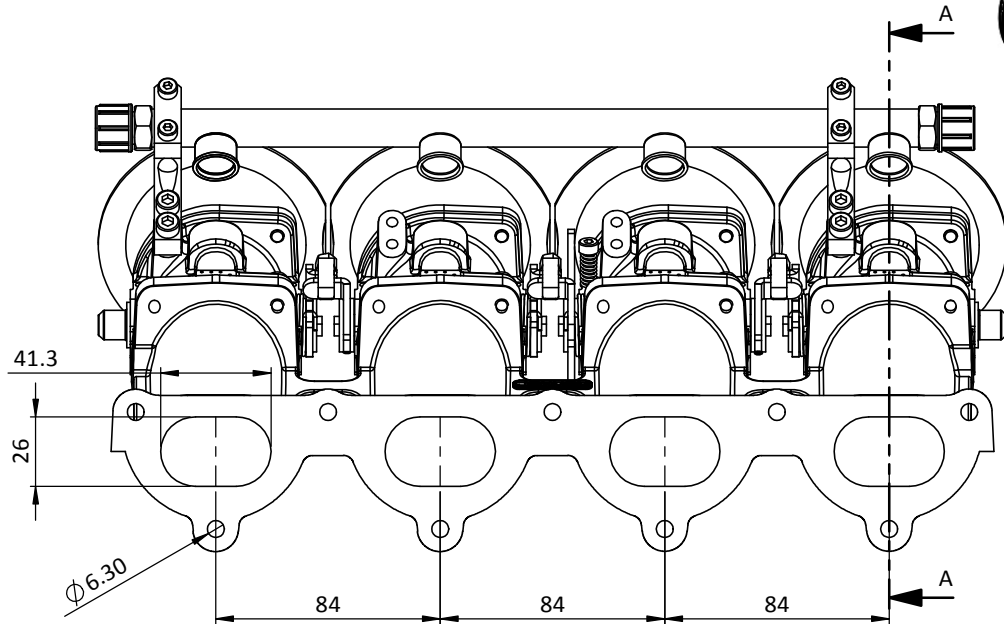
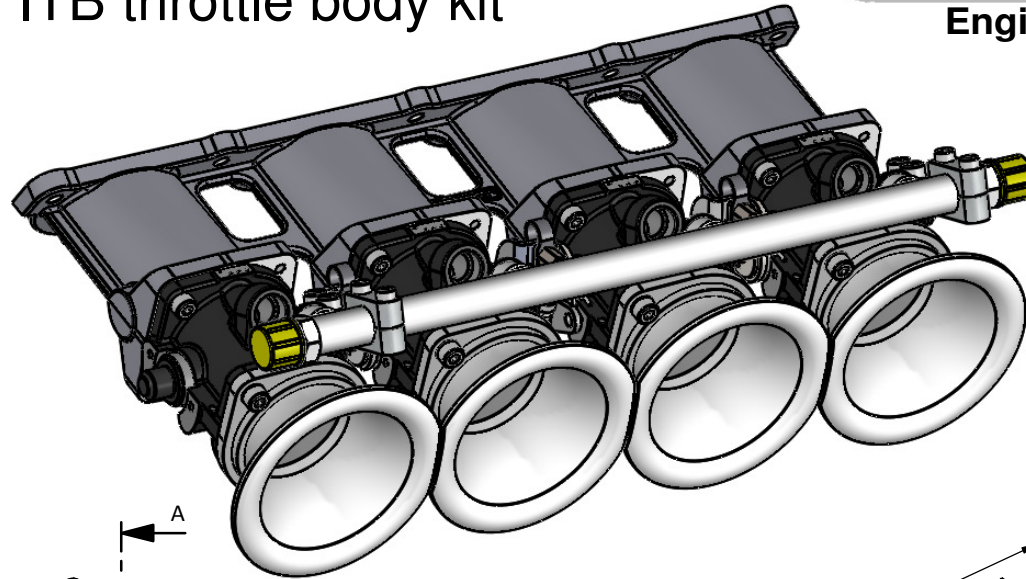


CKPG01 - Peugeot Citroen 1600cc TU5 ITB throttle body kit



For Jenvey ST throttle bodies or SF with spindle mods.
May be ported out to 45mm at body flange and proportionally at head flange.
2 bosses at ends and 4 on underside for vacuum tappings.
Two kits available:
CKPG01 - ST45 Taper Kit - ST Throttle Bodies
CKPG01L - SF48 Taper Kit - SF Throttle Bodies

Frame: 1 of 1	
Version: 2	
Tel 01746 768810 © JENVEY DYNAMICS LTD. 2015	
Web WWW.JENVEY.CO.UK	