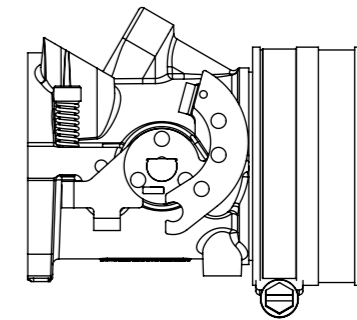
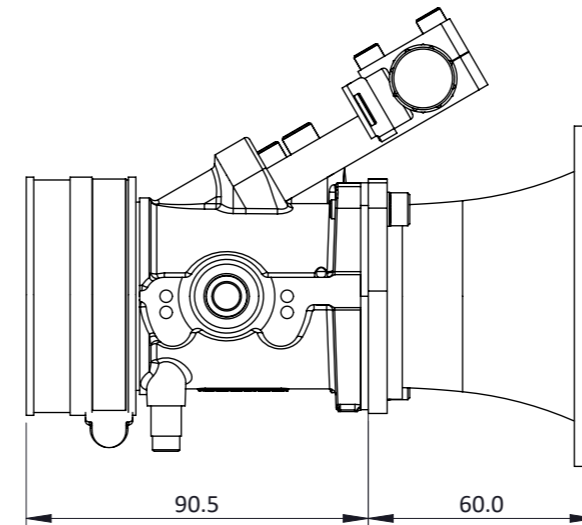
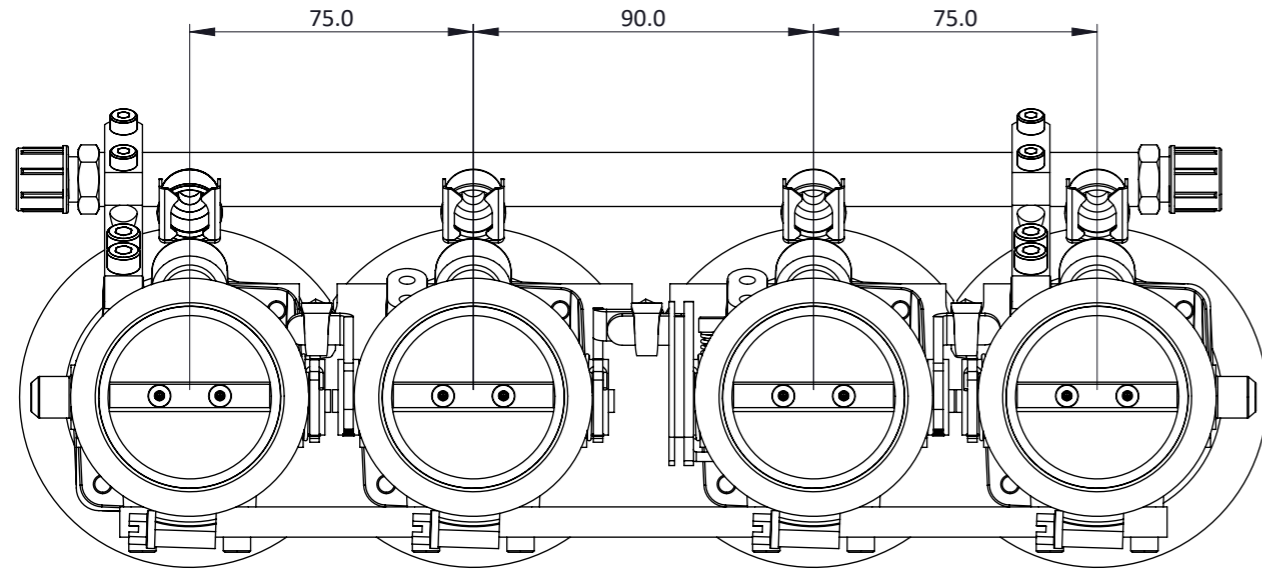


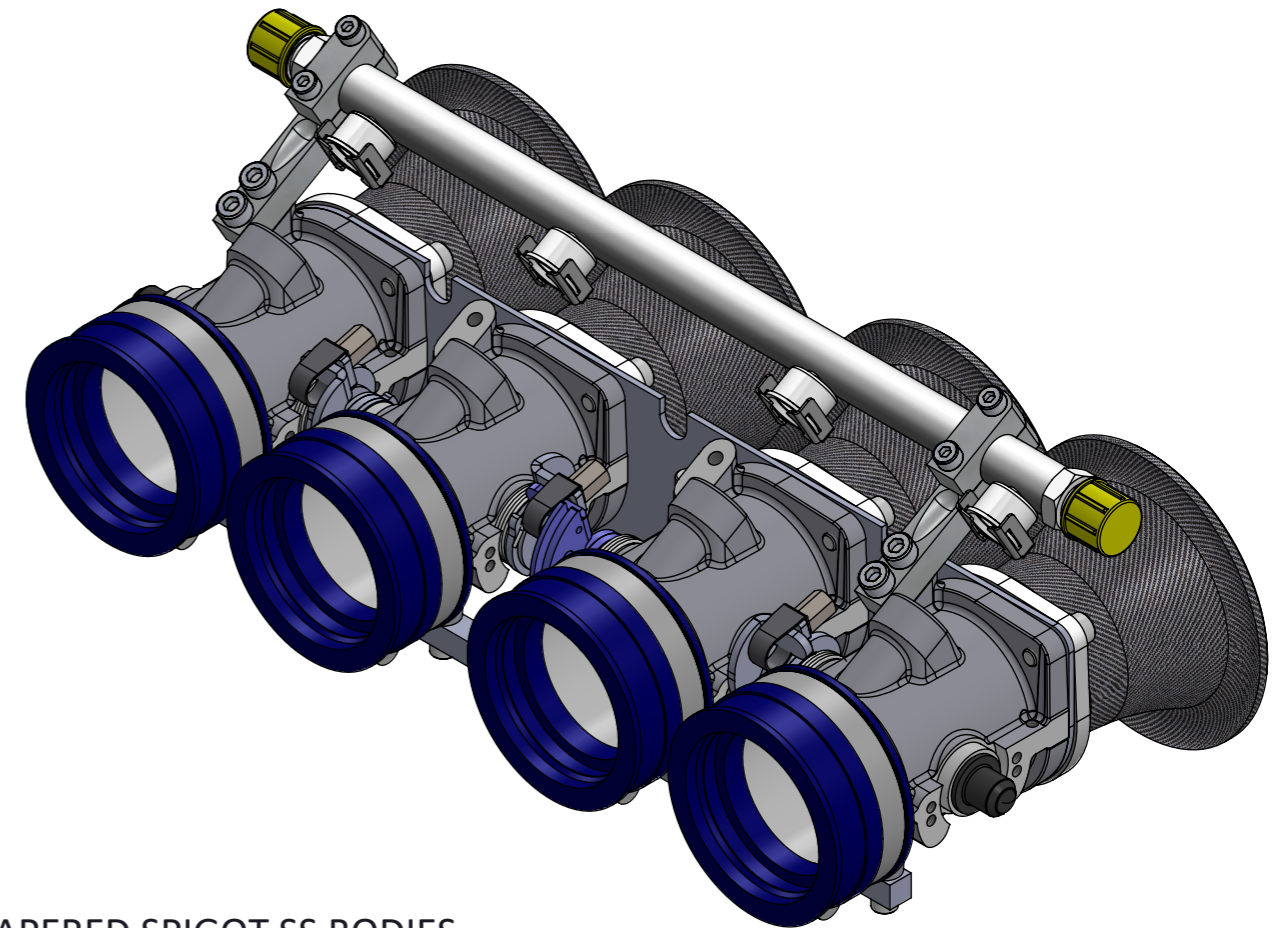
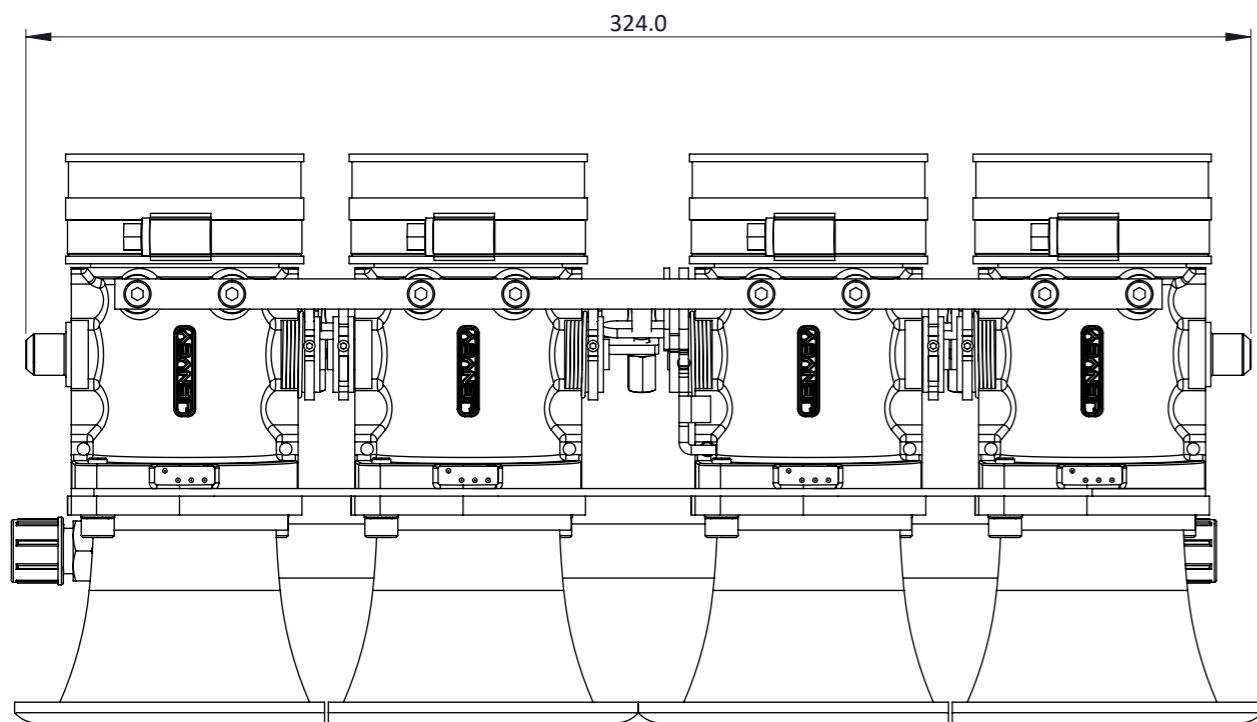
CKSI02 - SUZUKI HYABUSA SS45 TAPER KIT



Engineered to win



CABLE PULL LEVER - PQR11



A KIT FOR THE GEN2 (POST 2008) SUZUKI HAYABUSA ENGINE WHICH CONTAINS FOUR 45mm TAPERED SPIGOT SS BODIES, FUEL RAIL, FUEL RAIL MOUNTS, MOUNTING RUBBERS (DIFFERENT FROM STANDARD - HAS A 43mm ID) STABILISER BAR AND A SET OF 45mm CARBON AIRHORNS. MADE TO ORDER.

BODIES HAVE A 45mm INLET DIAMETER, 45mm BUTTERFLY AND A 43mm OUTLET DIAMETER.

Frame: 1 of 1

Version: 3

Tel 01746 768810

© JENVEY DYNAMICS LTD. 2015

Web WWW.JENVEY.CO.UK

