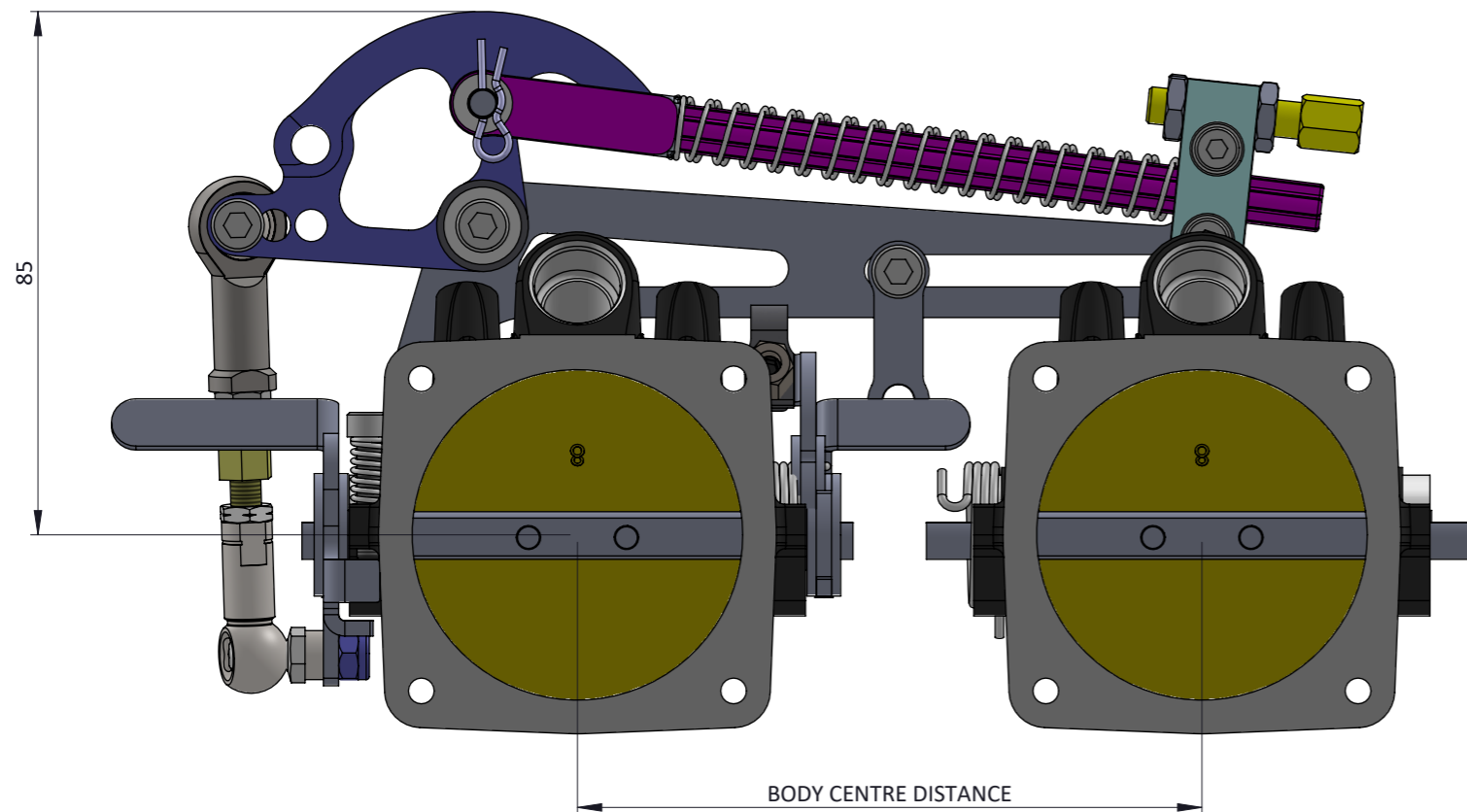
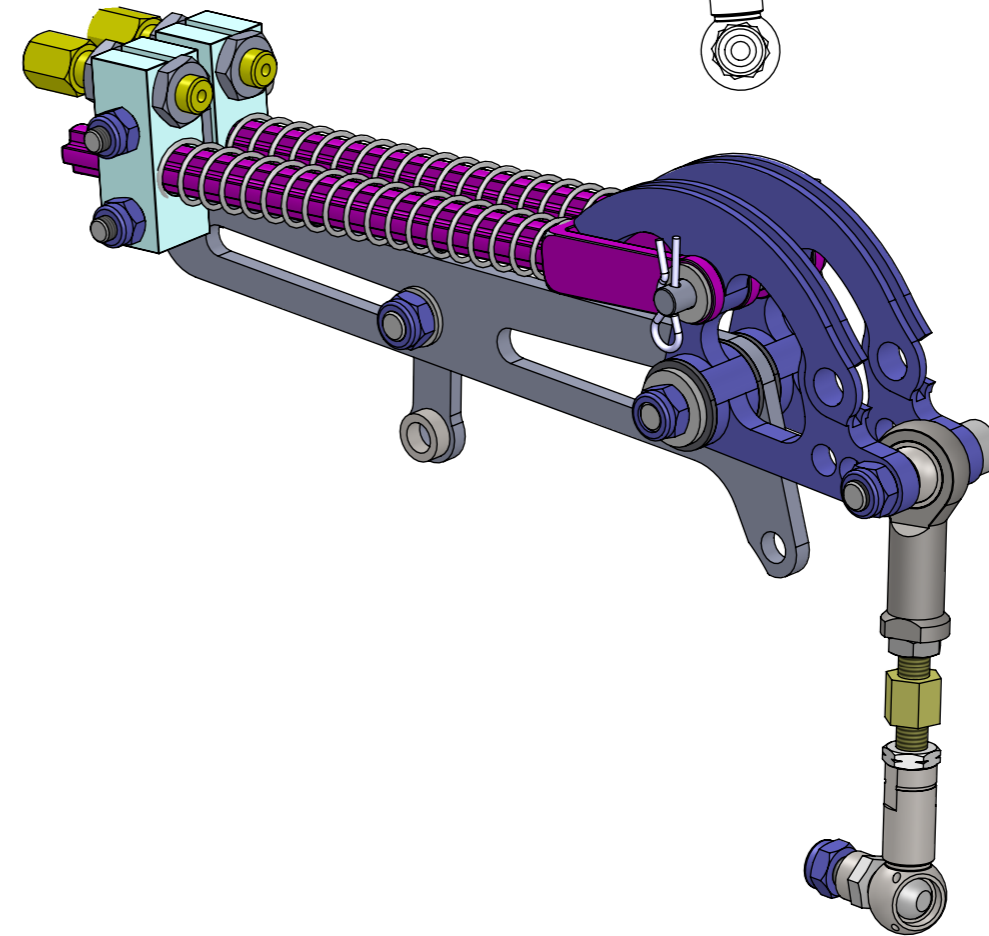
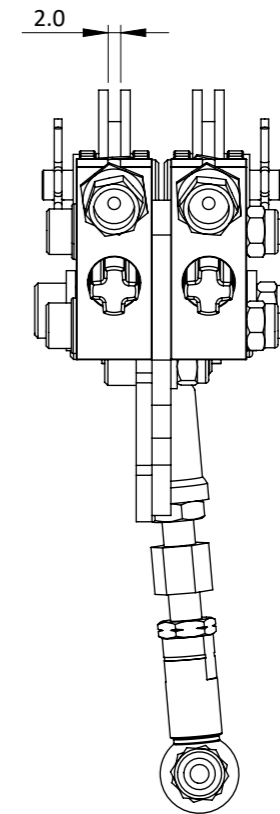
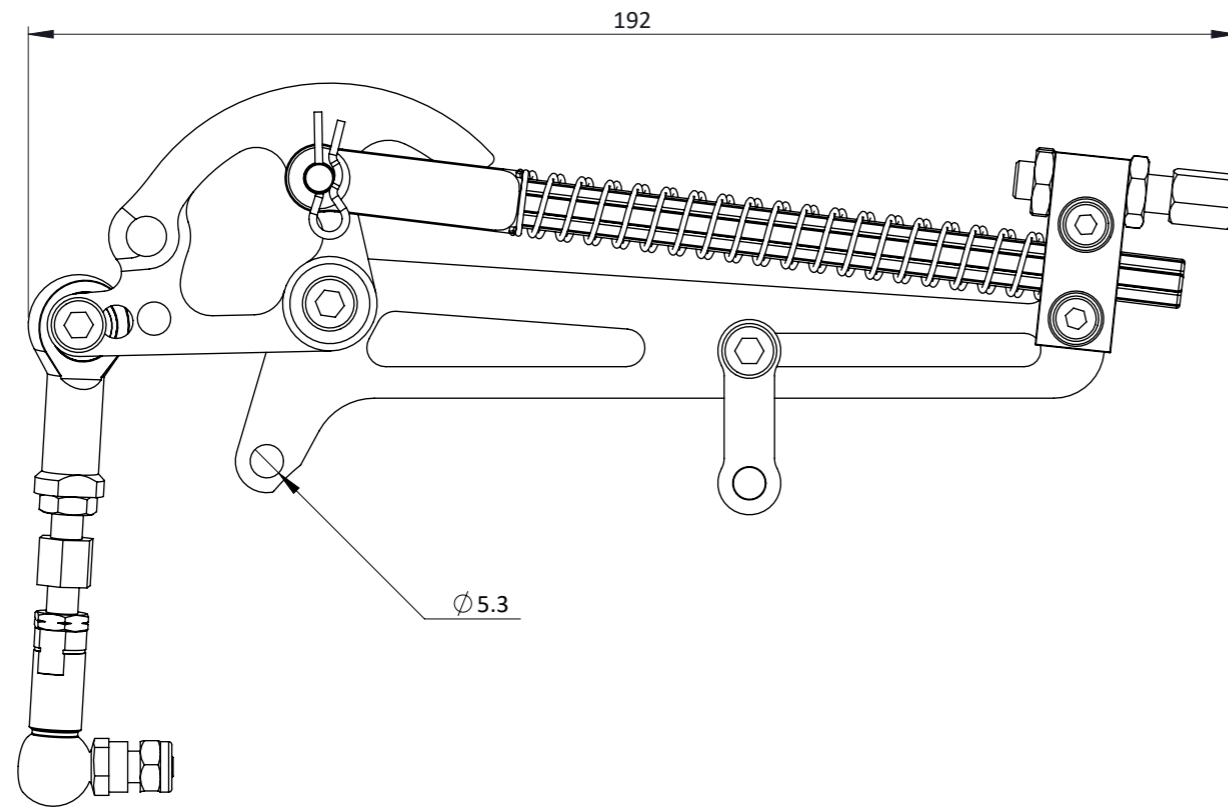


CLD2-SFD - DOUBLE LINKAGE FOR SFD BODIES



Engineered to win



VIEW PDF INSTRUCTIONS
HERE:



A FULLY ADJUSTABLE DOUBLE CABLE LINKAGE KIT TO FIT OUR SFD THROTTLE BODIES. THIS LINKAGE KIT INCLUDES ALL RELEVANT MOUNTING BRACKETS TO FIT THE LINKAGE KIT TO YOUR THROTTLE BODIES INCLUDING THE THROTTLE CABLE.

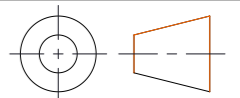
Frame: 1 of 2

Version: 3

Tel 01746 768810

© JENVEY DYNAMICS LTD. 2015

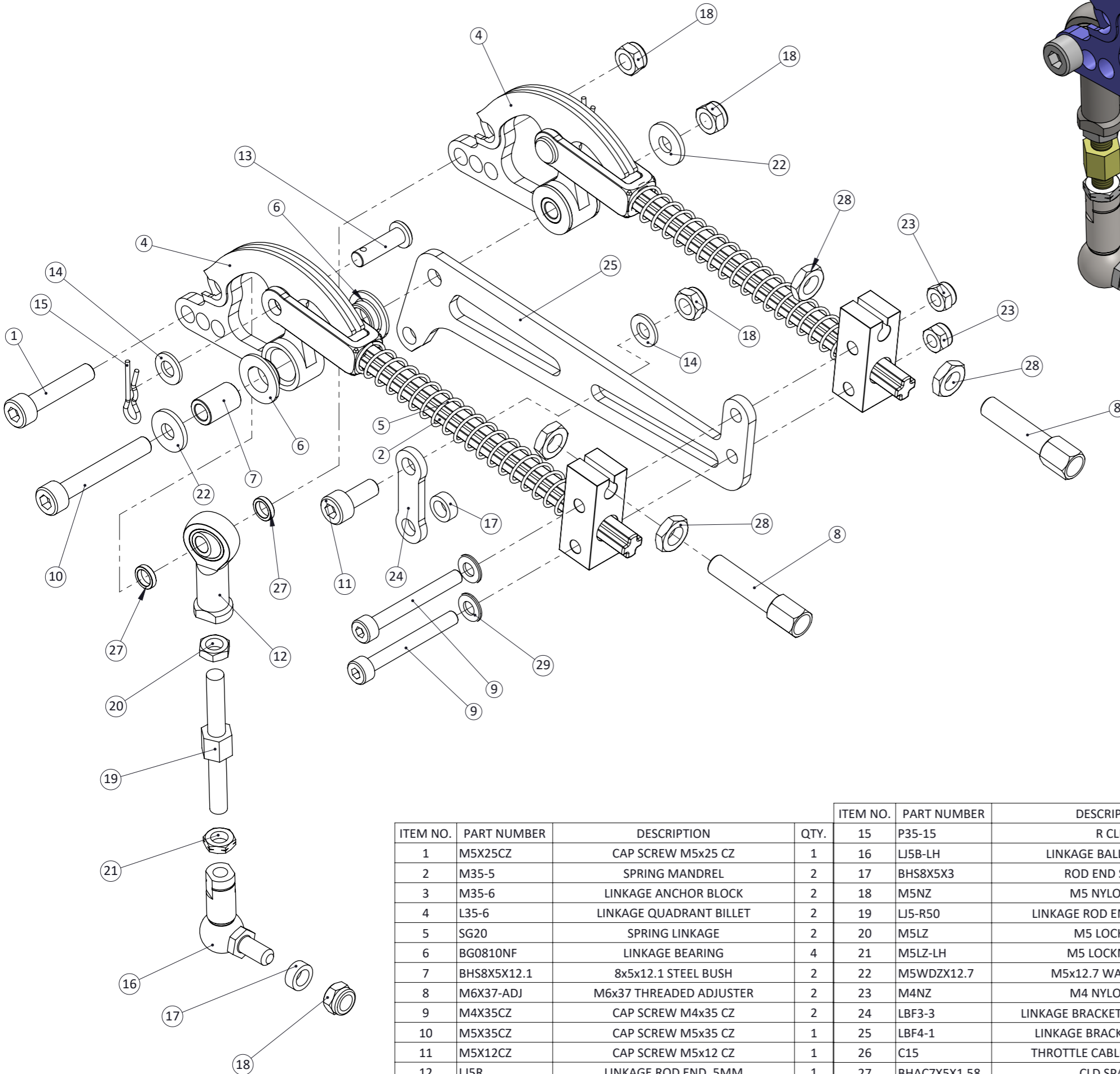
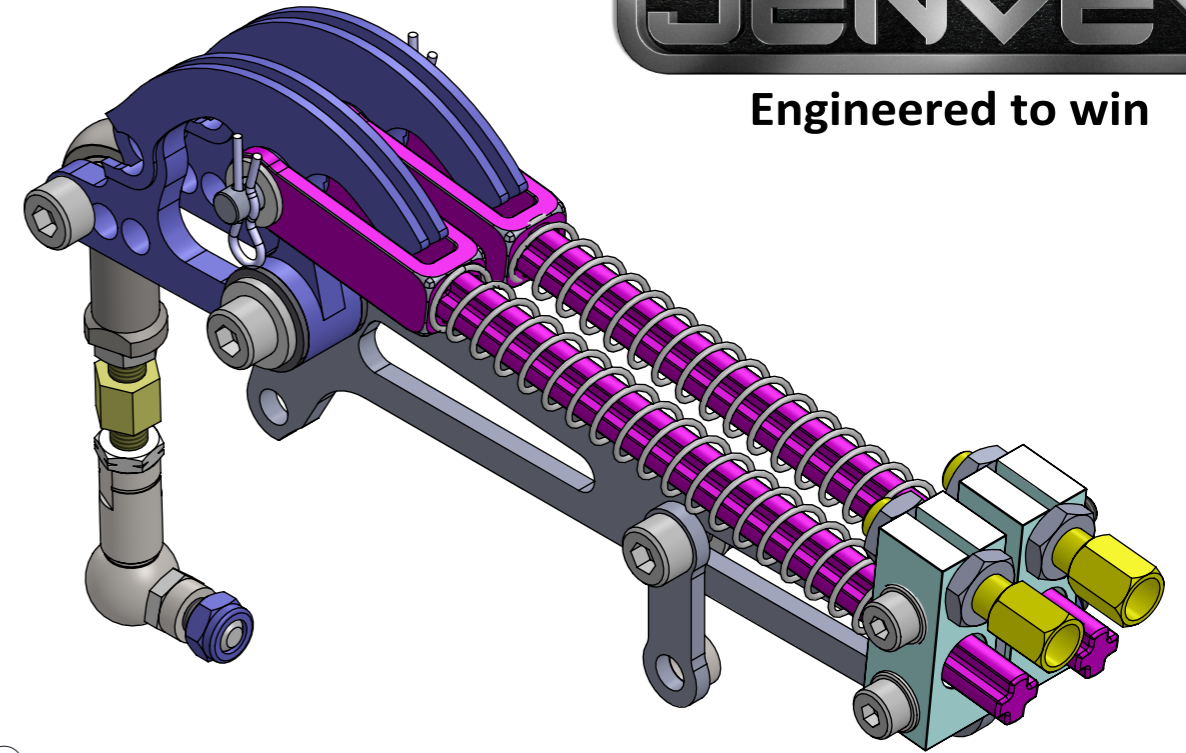
Web WWW.JENVEY.CO.UK



CLD2-SFD-WEB - DOUBLE LINKAGE FOR SFD BODIES



Engineered to win



ITEM NO.	PART NUMBER	DESCRIPTION	QTY.	ITEM NO.	PART NUMBER	DESCRIPTION	QTY.
1	M5X25CZ	CAP SCREW M5x25 CZ	1	15	P35-15	R CLIP	2
2	M35-5	SPRING MANDREL	2	16	LJ5B-LH	LINKAGE BALL JOINT. LH	1
3	M35-6	LINKAGE ANCHOR BLOCK	2	17	BHS8X5X3	ROD END SPACER	2
4	L35-6	LINKAGE QUADRANT BILLET	2	18	M5NZ	M5 NYLOC NUT	4
5	SG20	SPRING LINKAGE	2	19	LJ5-R50	LINKAGE ROD END, 5MM x50	1
6	BG0810NF	LINKAGE BEARING	4	20	M5LZ	M5 LOCK NUT	1
7	BHS8X5X12.1	8x5x12.1 STEEL BUSH	2	21	M5LZ-LH	M5 LOCKNUT LH	1
8	M6X37-ADJ	M6x37 THREADED ADJUSTER	2	22	M5WDZX12.7	M5x12.7 WASHER BZP	2
9	M4X35CZ	CAP SCREW M4x35 CZ	2	23	M4NZ	M4 NYLOC NUT	2
10	M5X35CZ	CAP SCREW M5x35 CZ	1	24	LBF3-3	LINKAGE BRACKET SUPPORT LINK	2
11	M5X12CZ	CAP SCREW M5x12 CZ	1	25	LBF4-1	LINKAGE BRACKET FOR LBF3	1
12	LJ5R	LINKAGE ROD END, 5MM	1	26	C15	THROTTLE CABLE 1.5 METERS	2
13	P35-14	CLEVIS PIN 4.7X14	2	27	BHAC7X5X1.58	CLD SPACER	2
14	M5WPZ	M5 PLANE WASHER BZP	3	28	M6LZ	M6 LOCKNUT	4
				29	M4WPZ	M4 WASHER	2

VIEW PDF INSTRUCTIONS
HERE:



Frame: 2 of 2

Version: 3

Tel 01746 768810

Web WWW.JENVEY.CO.UK

© JENVEY DYNAMICS LTD. 2021

