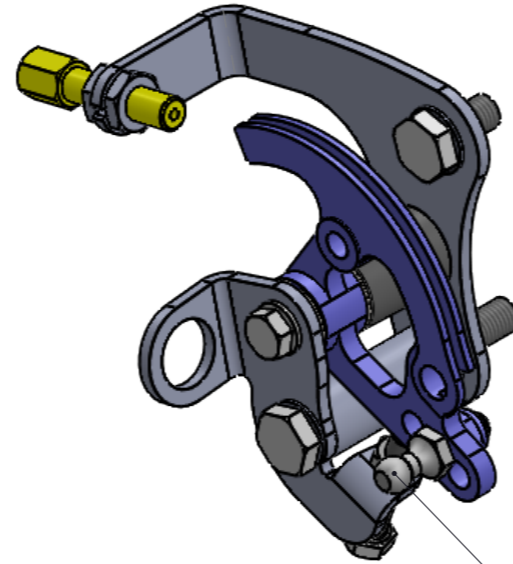


# CLJ-LH - JAG E-TYPE LH DRIVE CABLE LINKAGE



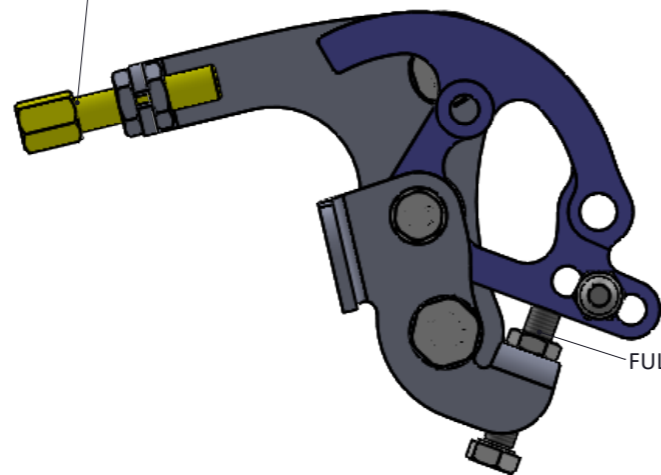
Engineered to win

D352-L-LH

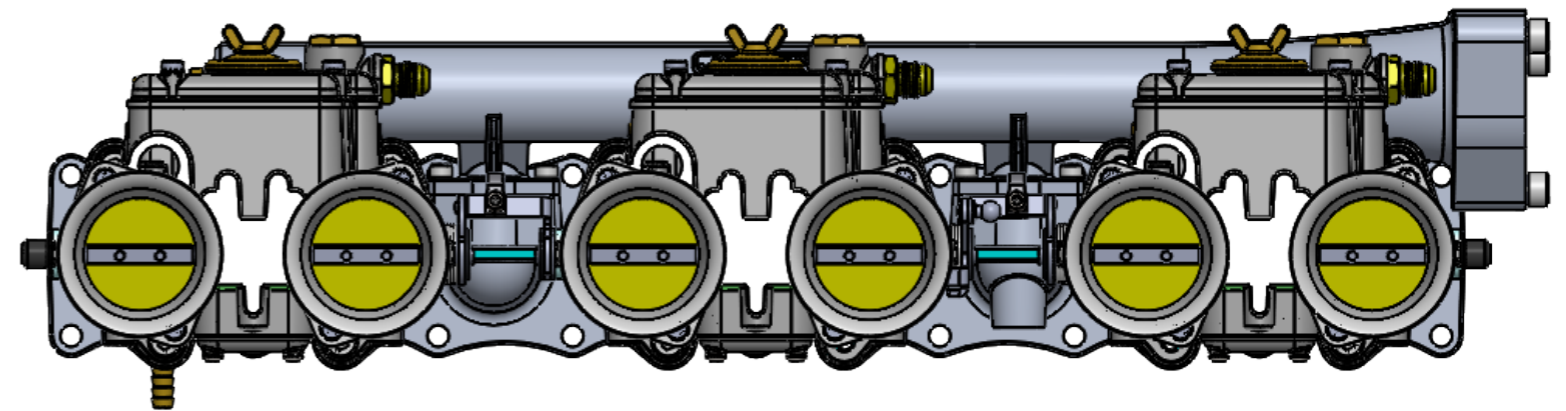
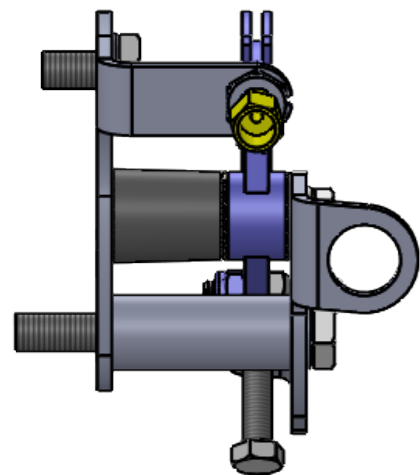


1/4" (6.5mm) BALL JOINT

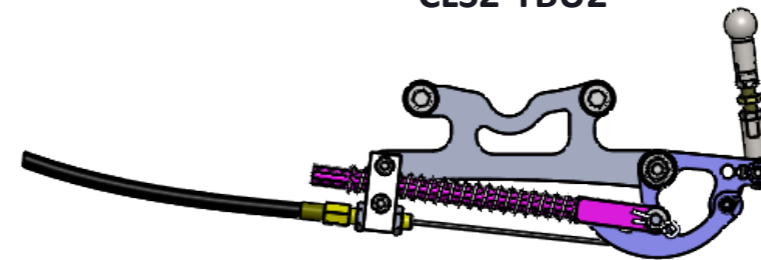
THROTTLE CABLE ADJUSTER



FULL THROTTLE STOP



CLS2-TBU2



CLJ-LH - ACCELERATOR LINKAGE KIT TO SUIT THE LH DRIVE JAGUAR E-TYPE SERIES 1-2, WITH 3.8L & 4.2L ENGINES, INCLUDES THE FOLLOWING PARTS:

D352-L-LH - DIRECT REPLACEMENT FOR THE OEM MECHANICAL LINKAGE BRACKET WHICH MOUNTS TO THE BULKHEAD ON THE E-TYPE, & LINKS TO THE STANDARD LINKAGE ROD FROM THE PEDAL

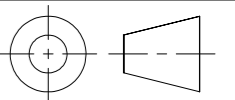
CLS2-TBU2 - LINKAGE WHICH MOUNTS TO THE UNDERSIDE OF DCOE THROTTLE BODIES, INCLUDES THE THROTTLE CABLE WHICH LINKS THE TWO ASSEMBLIES, CONVERTING THE OEM MECHANICAL LINKAGE INTO CABLE.

Frame: 1 of 1

Version: 2

Tel 01746 768810

Web WWW.JENVEY.CO.UK



© JENVEY DYNAMICS LTD. 2015