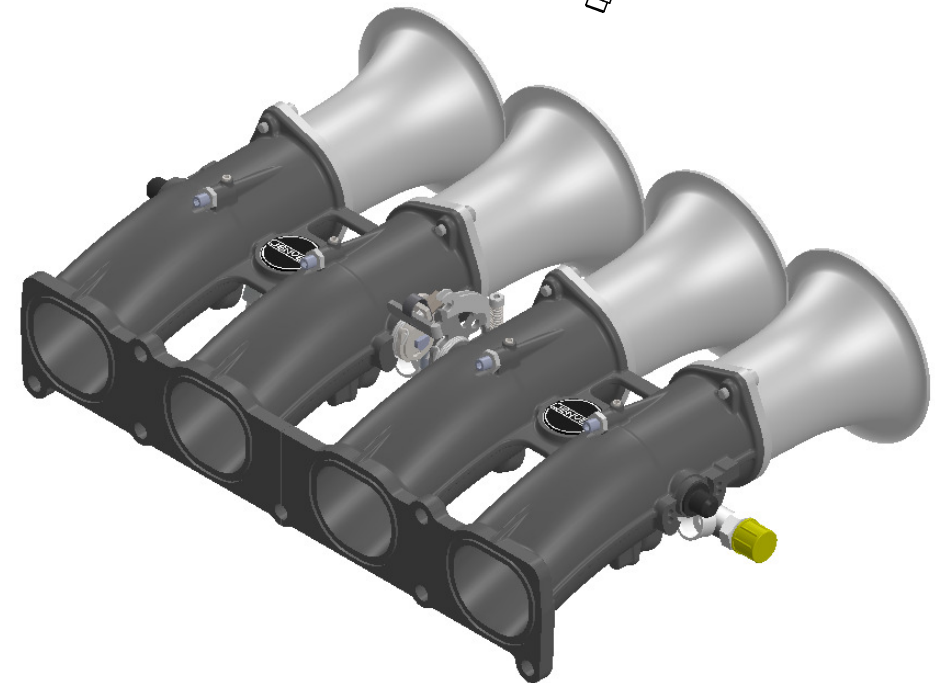
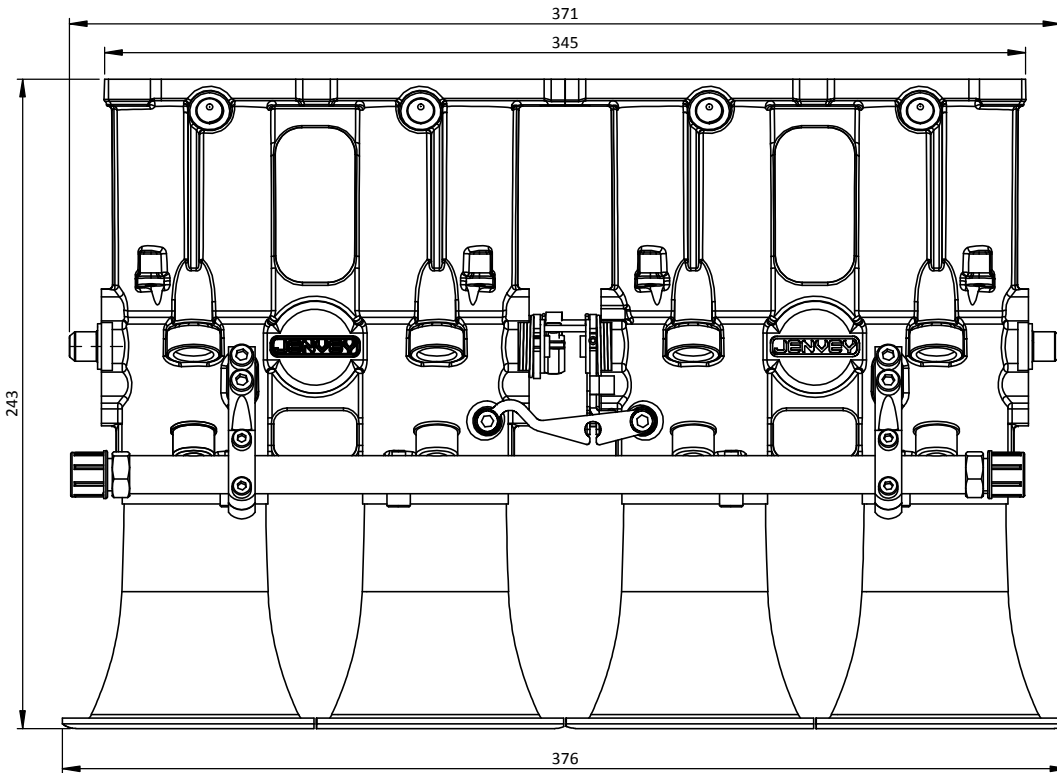
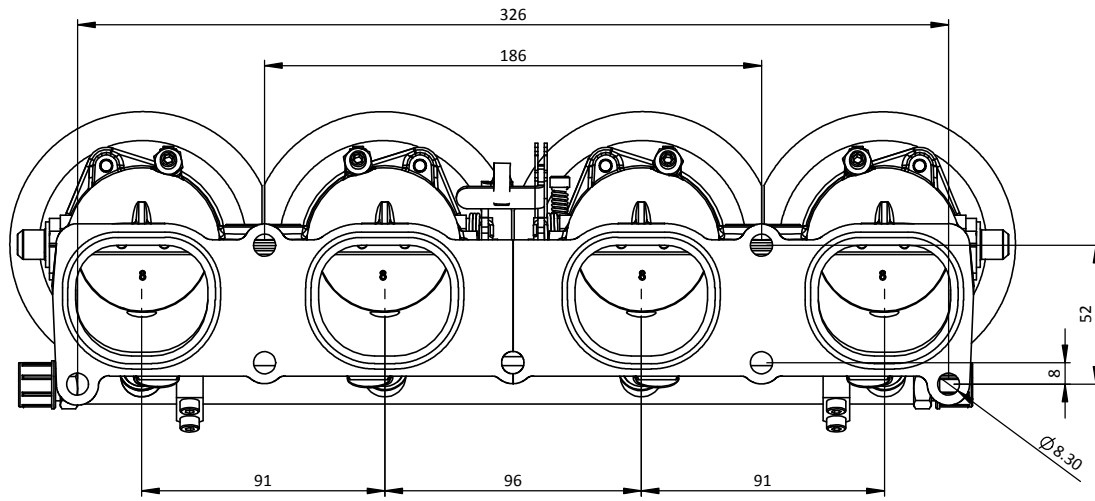
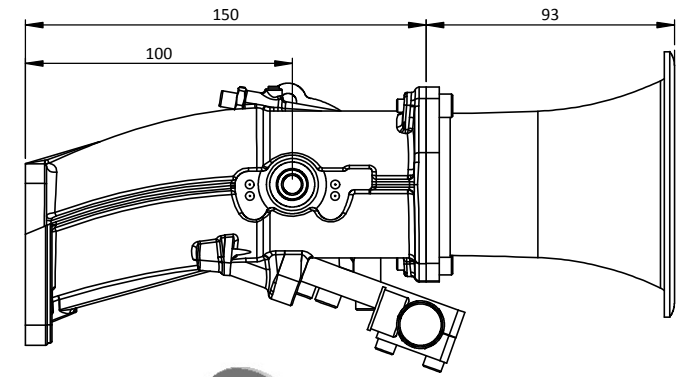


# DBFD2/50 FORD DURATEC 2.5L DIRECT TO HEAD



Engineered to win



BODIES HAVE Ø50 BORES

Frame: 1 of 1

Version: 5

Tel 01746 768810

© JENVEY DYNAMICS LTD. 2015

Web WWW.JENVEY.CO.UK

