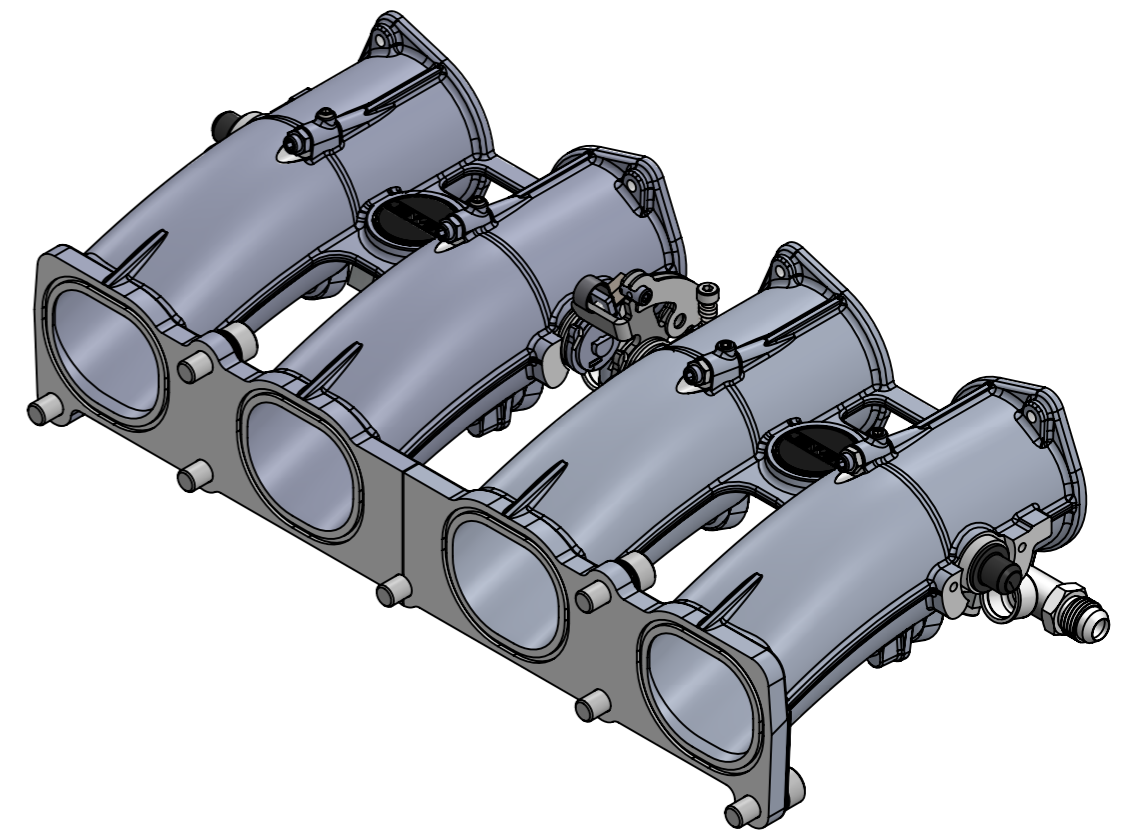
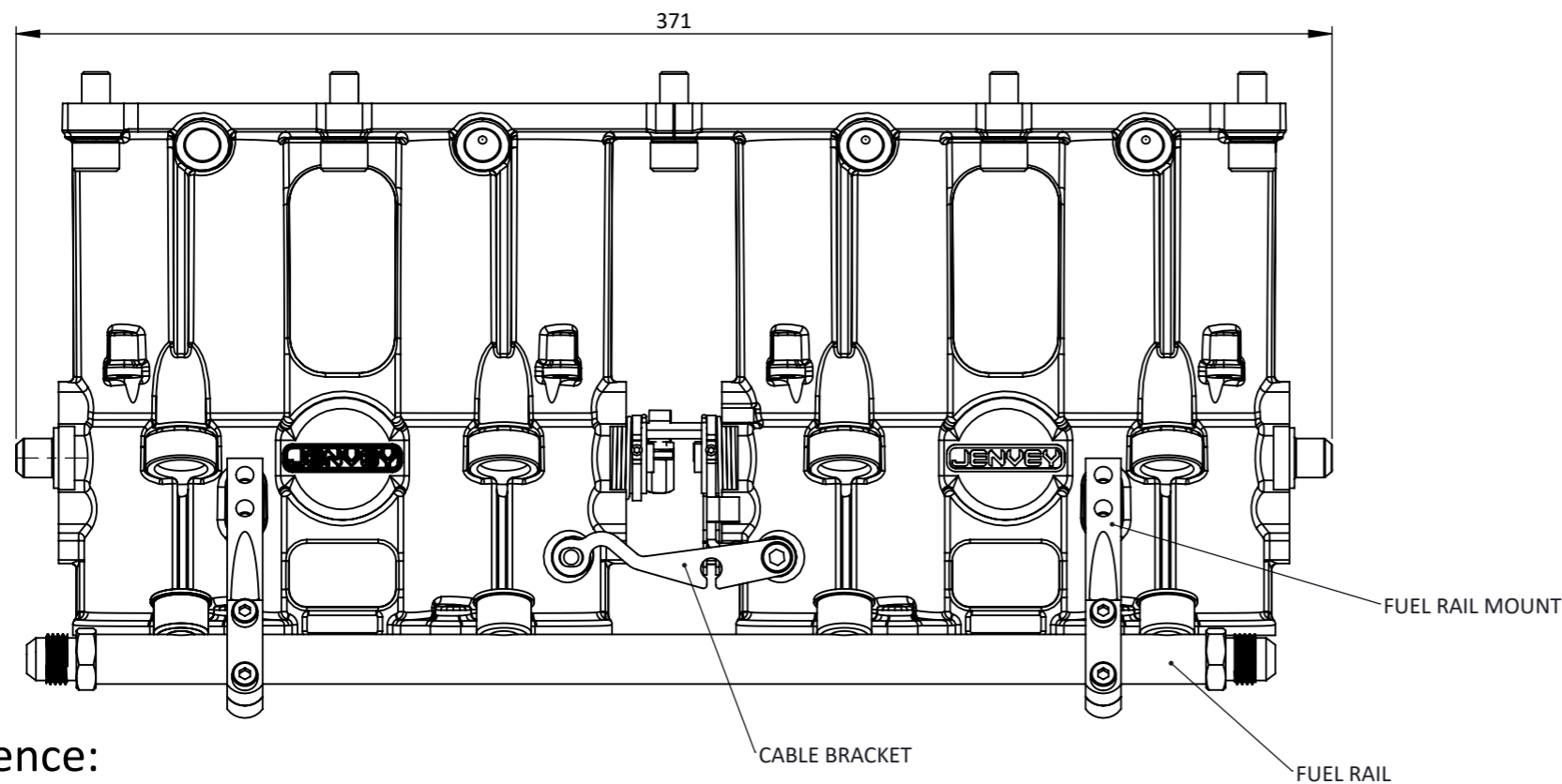
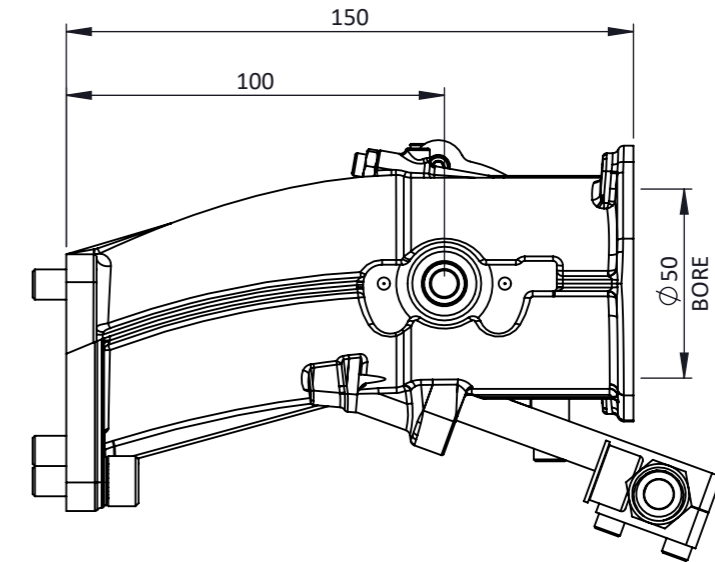
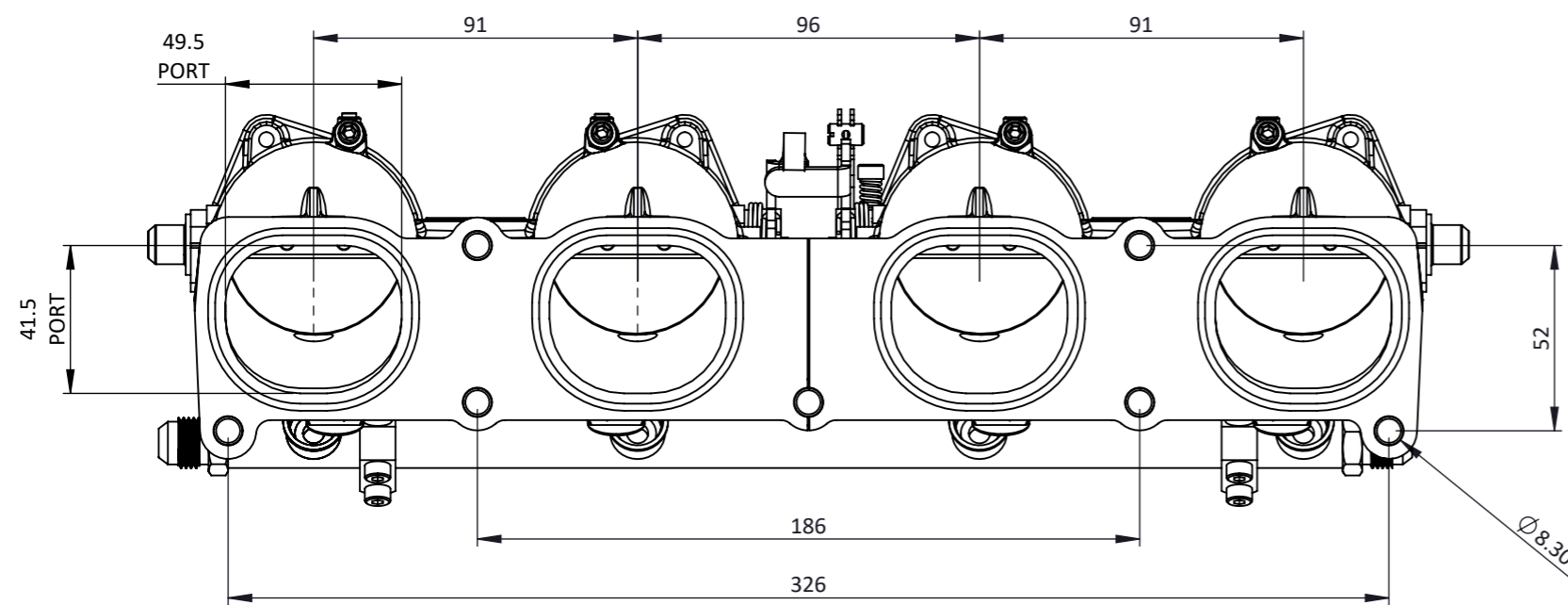


# DBFD2/50 FORD DURATEC 2.5L DIRECT TO HEAD



Engineered to win



## Build sequence:

Make sure rail and cable bracket are loose

Bolt and torque bodies to head.

Check rail and cable bracket are loose.

Tighten fuel rail mounts.

Tighten cable bracket.

If using an airbox or backplate, fit last. Make sure it does not bind when tightning.

Frame: 1 of 1

Version: 8

Tel 01746 768810

© JENVEY DYNAMICS LTD. 2015

Web WWW.JENVEY.CO.UK

