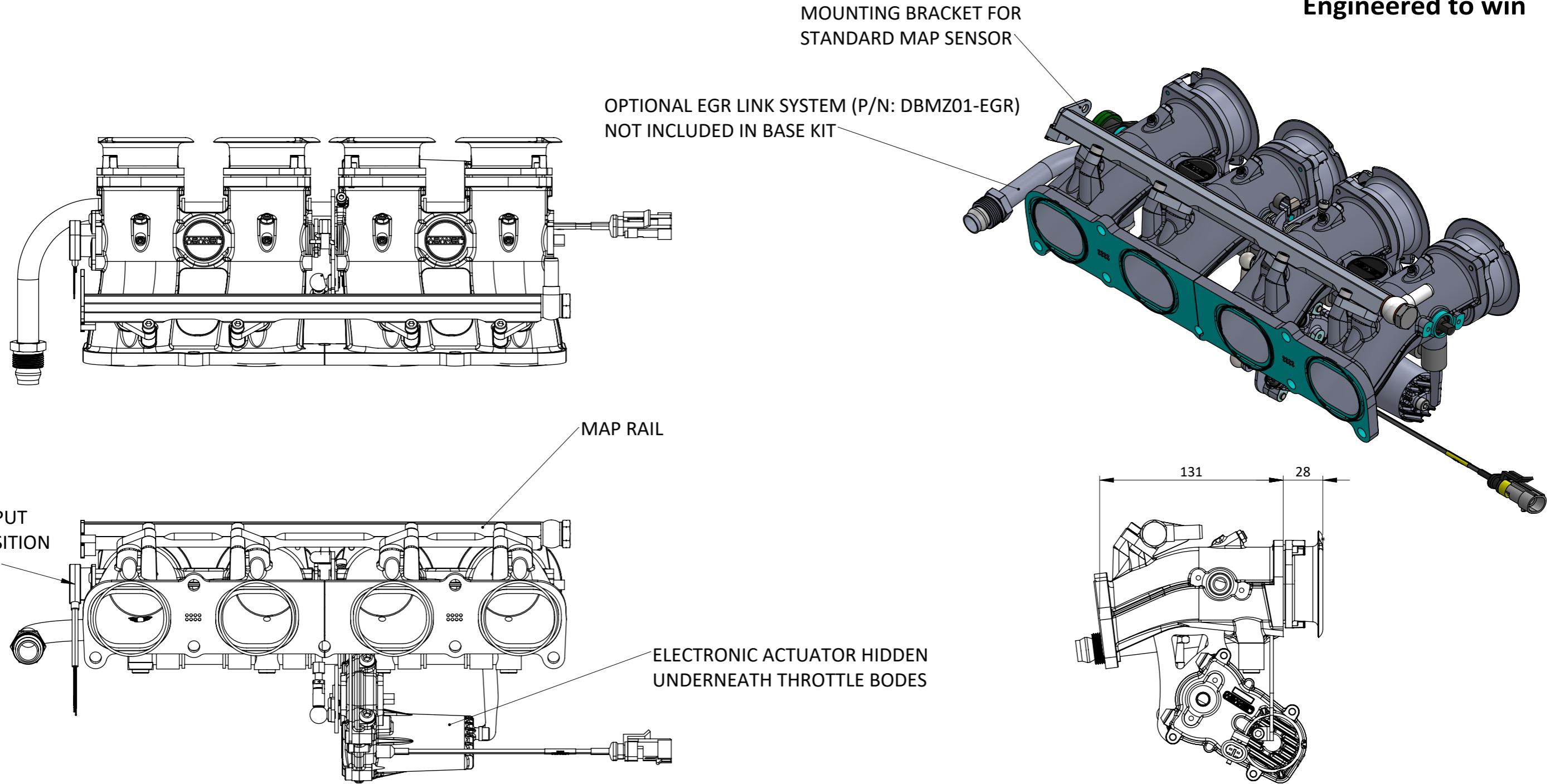


# DBMZ01-WEB - MX5 NC 2.0 DTH KIT



Engineered to win



A DIRECT-TO-HEAD THROTTLE BODY KIT TO SUIT THE MAZDA MX5 NC 2.0.

THE KIT INCLUDES: Ø45mm DIRECT-TO-HEAD THROTTLE BODIES, LIGHTWEIGHT AIRHORNS, ELECTRONIC THROTTLE ACTUATOR, THROTTLE POSITION SENSOR & LOOM TO SUIT STANDARD HARNESS, MAP RAIL AND FITTINGS, POSITIVE CRANKCASE VENT AND EXHAUST GAS RECIRCULATION SYSTEM\*.

THIS SYSTEM WAS DESIGNED TO FIT INSIDE THE STANDARD ENGINE BAY OF A EITHER A LEFT HAND OR RIGHT HAND DRIVE 2.0 MX5 NC WITHOUT MAJOR MODIFICATIONS. FOR AIRBOX AND FILTER SOLUTIONS PLEASE GIVE US A CALL AND WE CAN DISCUSS THE OPTIONS

\*THE EGR SYSTEM IS AN OPTIONAL EXTRA, & WAS INCLUDED TO COMPLY WITH TÜV REGULATIONS. IF NOT BEING USED THE EGR PORT IN THE CYLINDER HEAD WILL NEED BLANKING OFF.

Frame: 1 of 1

Version: 4

Tel 01746 768810

© JENVEY DYNAMICS LTD. 2021

Web WWW.JENVEY.CO.UK

