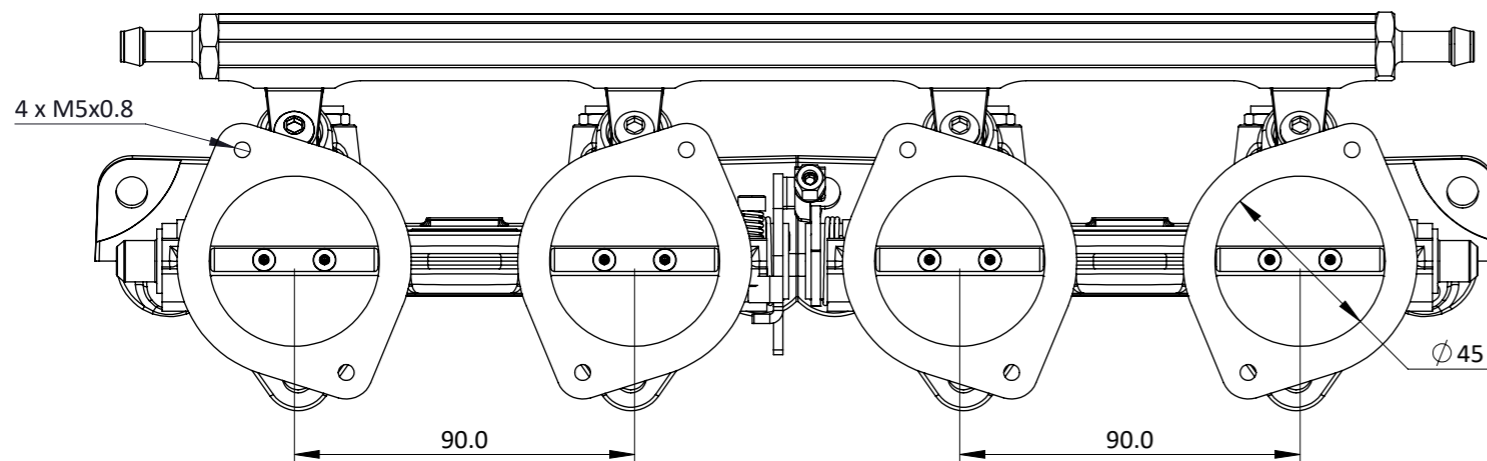
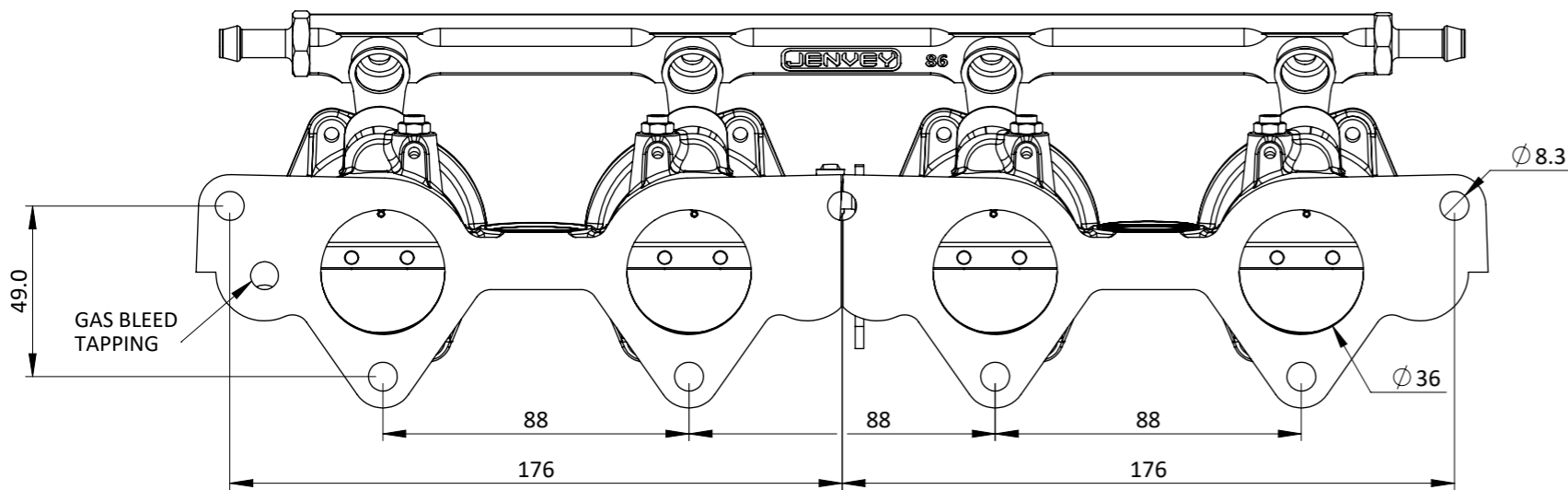
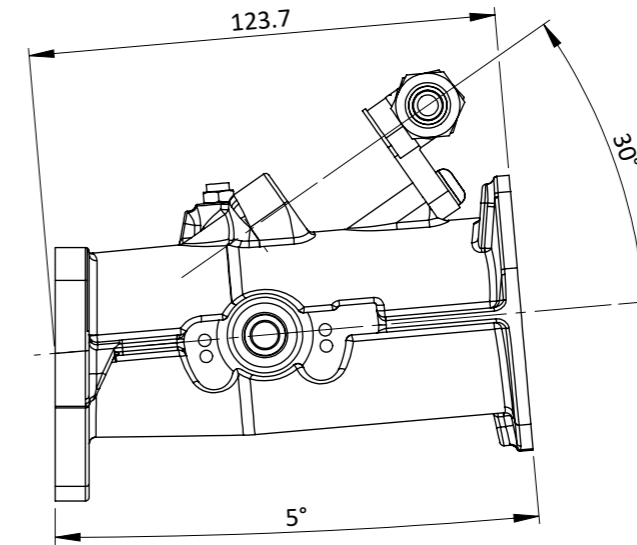
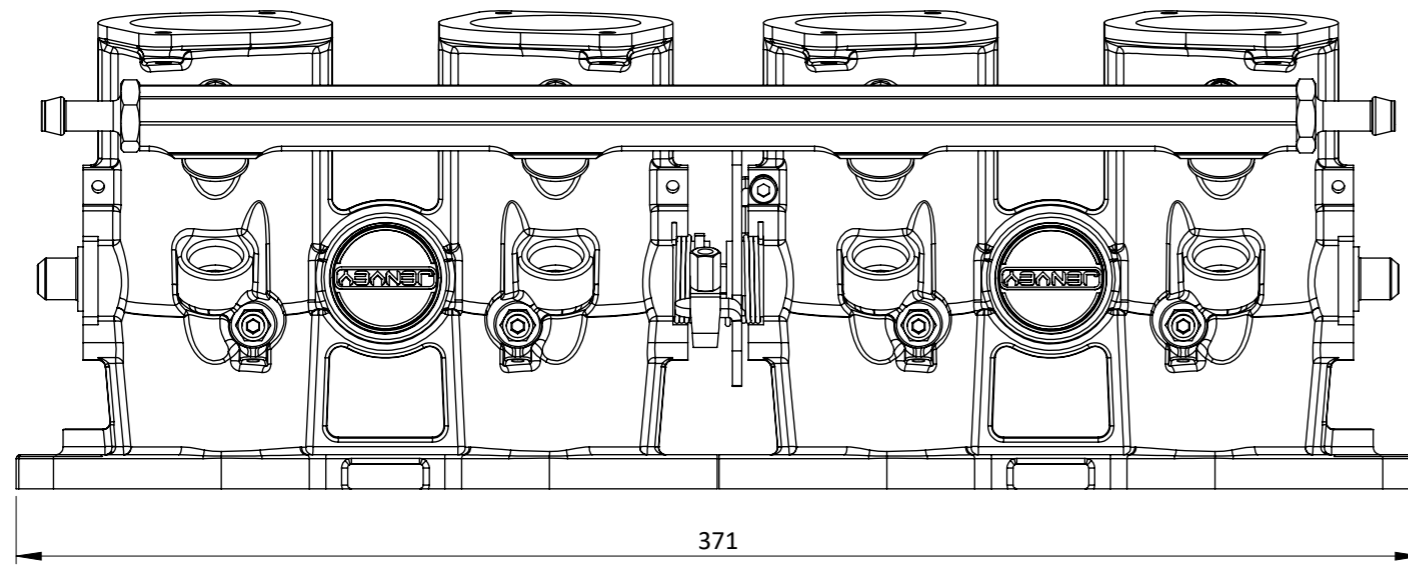
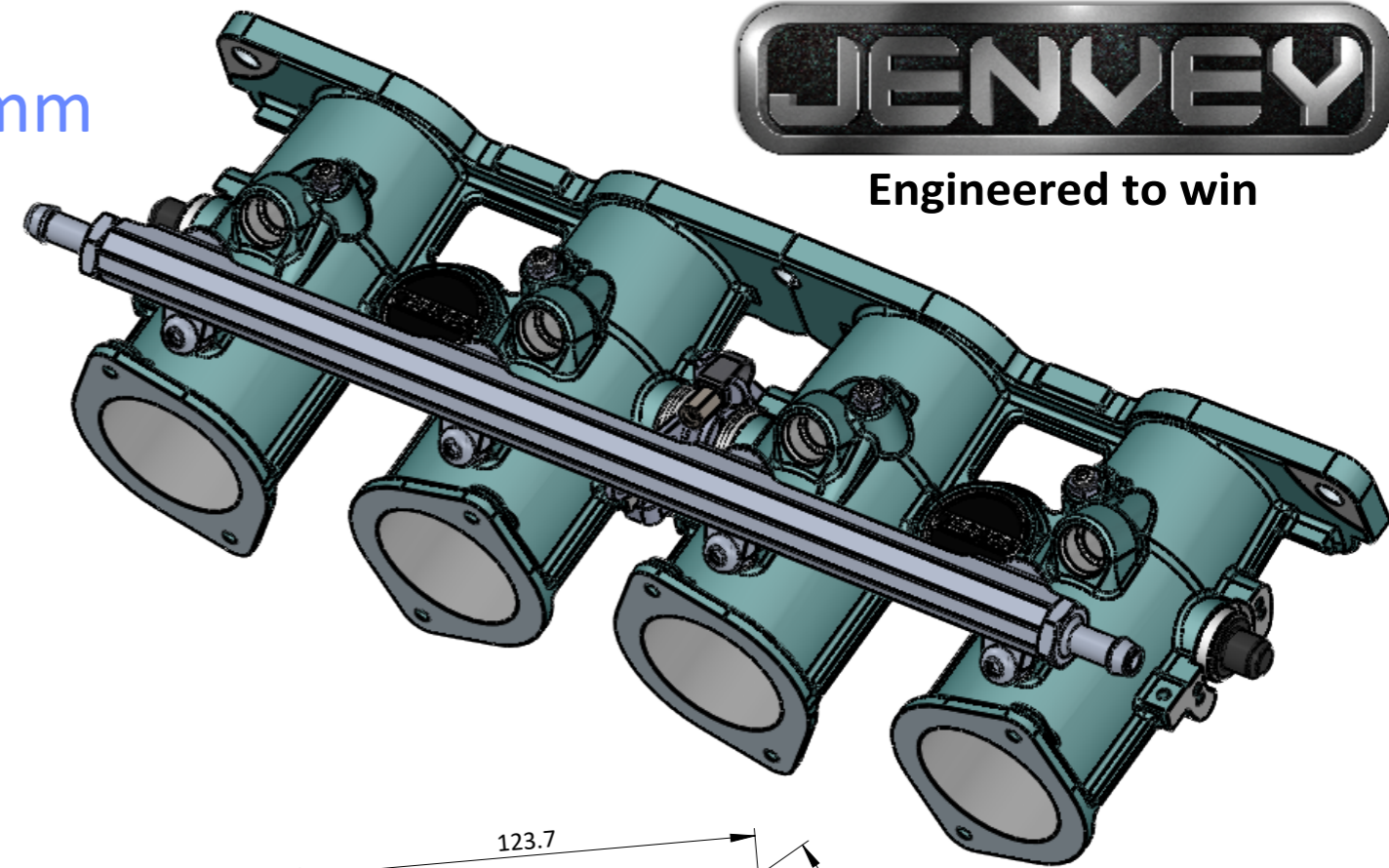


DBRVK-45 - ROVER K DIRECT TO HEAD VVC Ø45mm



Engineered to win



Rover Individual Throttle Body (ITB) kit for fuel injecting your Rover K series VVC engine which contains a linked pair of Ø45mm throttle bodies which attach directly to the cylinder head, fuel rail optional. This engine was used in Rover 200, MGF, Lotus Elise, Caterham and many kit cars. Made to order.

Frame: 1 of 1

Version: 2

Tel 01746 768810

© JENVEY DYNAMICS LTD. 2021

Web WWW.JENVEY.CO.UK

