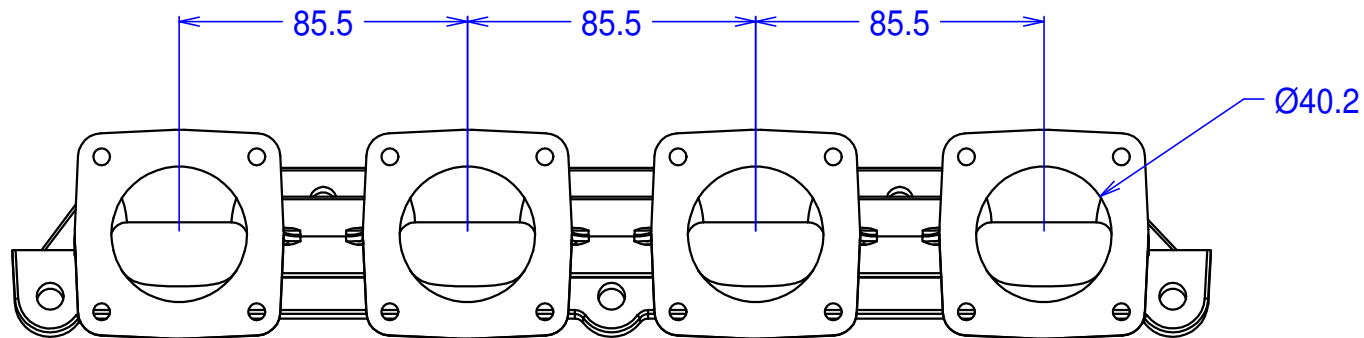
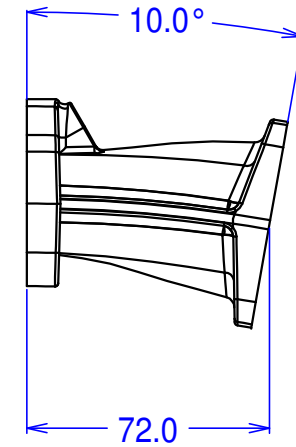
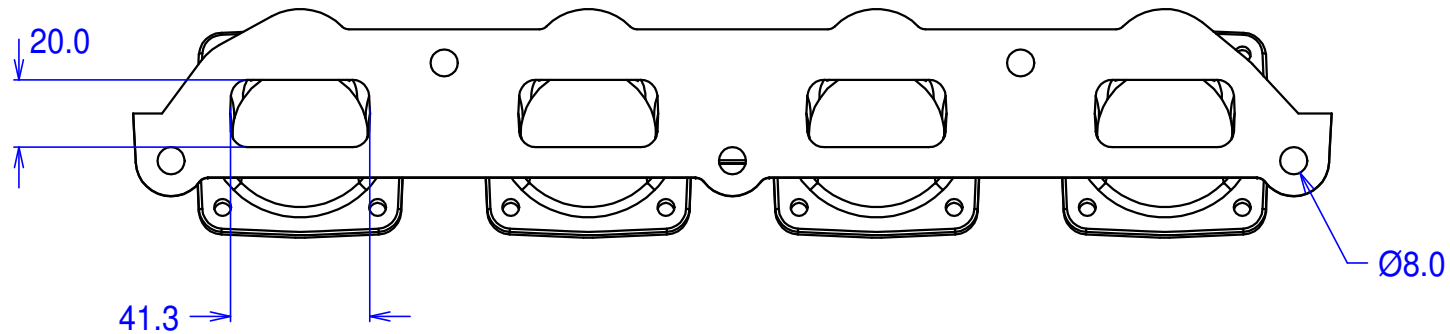




MB01 - BMW Mini manifold for individual throttle bodies

© Jenvey Dynamics Ltd 2000-2010
Issue 2
www.jenvey.co.uk



Flanges for Jenvey SF throttle bodies. May be ported up to 45mm at body flange and proportionally at head flange
Angled for under-bonnet clearance
Undrilled bosses on top side for idle air / vacuum take off / injectors / etc