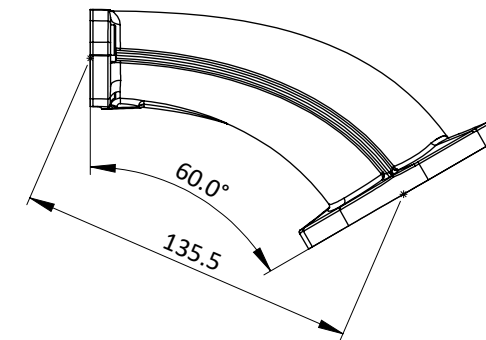
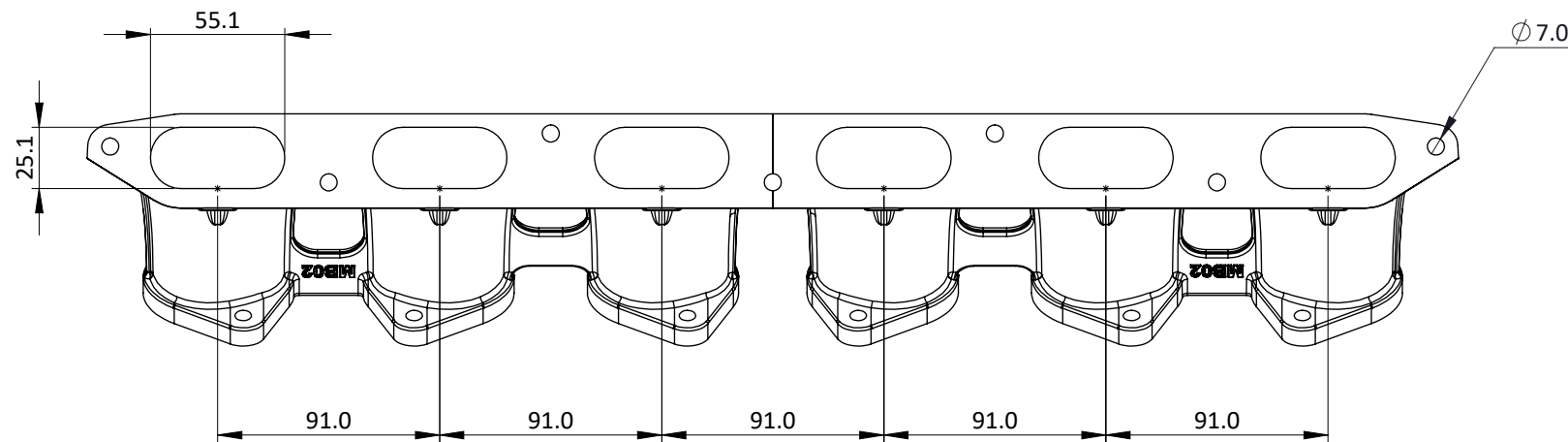
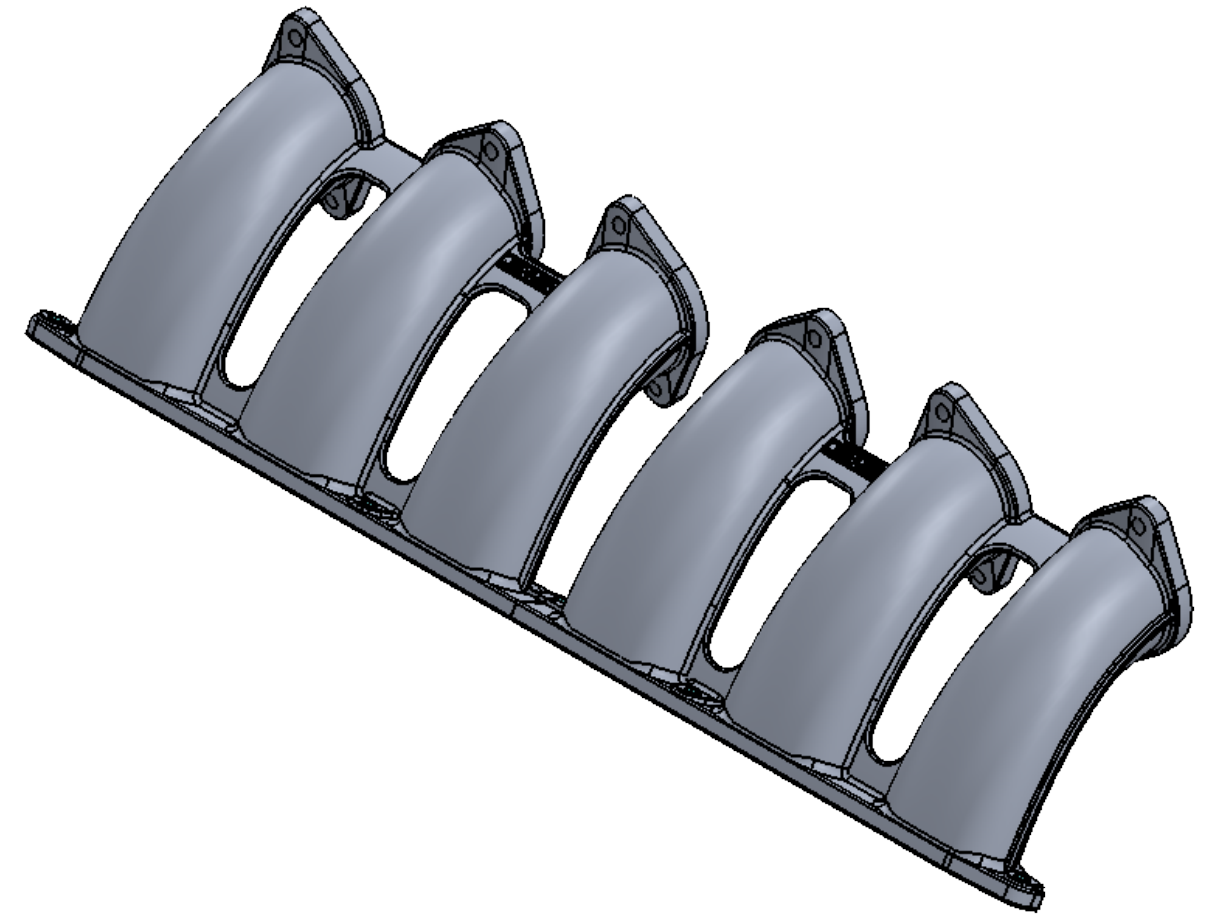
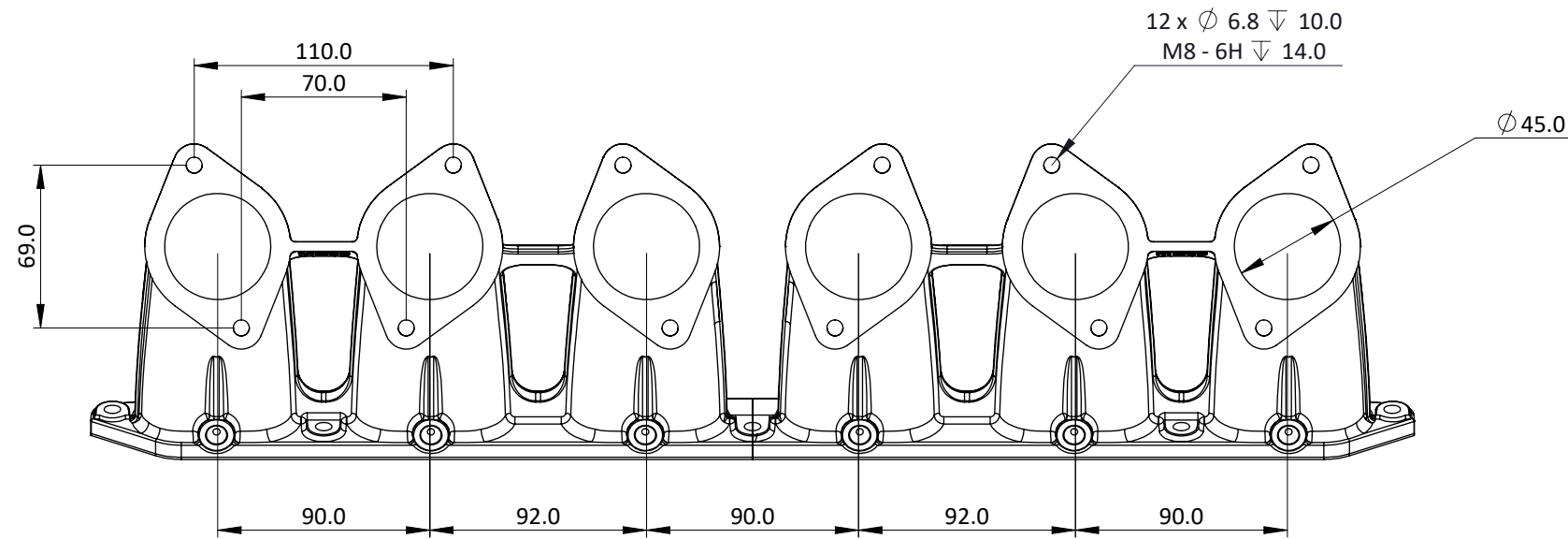


MB02-WEB - BMW M52 6 CLY - DCOE MANIFOLD



Engineered to win



THERE ISN'T AN O-RING GROOVE HEAD SIDE SO THE CUSTOMER CAN PORT TO M54 PORT SHAPE THEREFORE CUSTOMER WILL NEED TO SUPPLY AND FIT GASKET

UNDRILLED BOSSES ON UNDERSIDE FOR VACUUM TAPPINGS ETC

Frame: 1 of 1

Version: 4

Tel 01746 768810

© JENVEY DYNAMICS LTD. 2021

Web WWW.JENVEY.CO.UK

