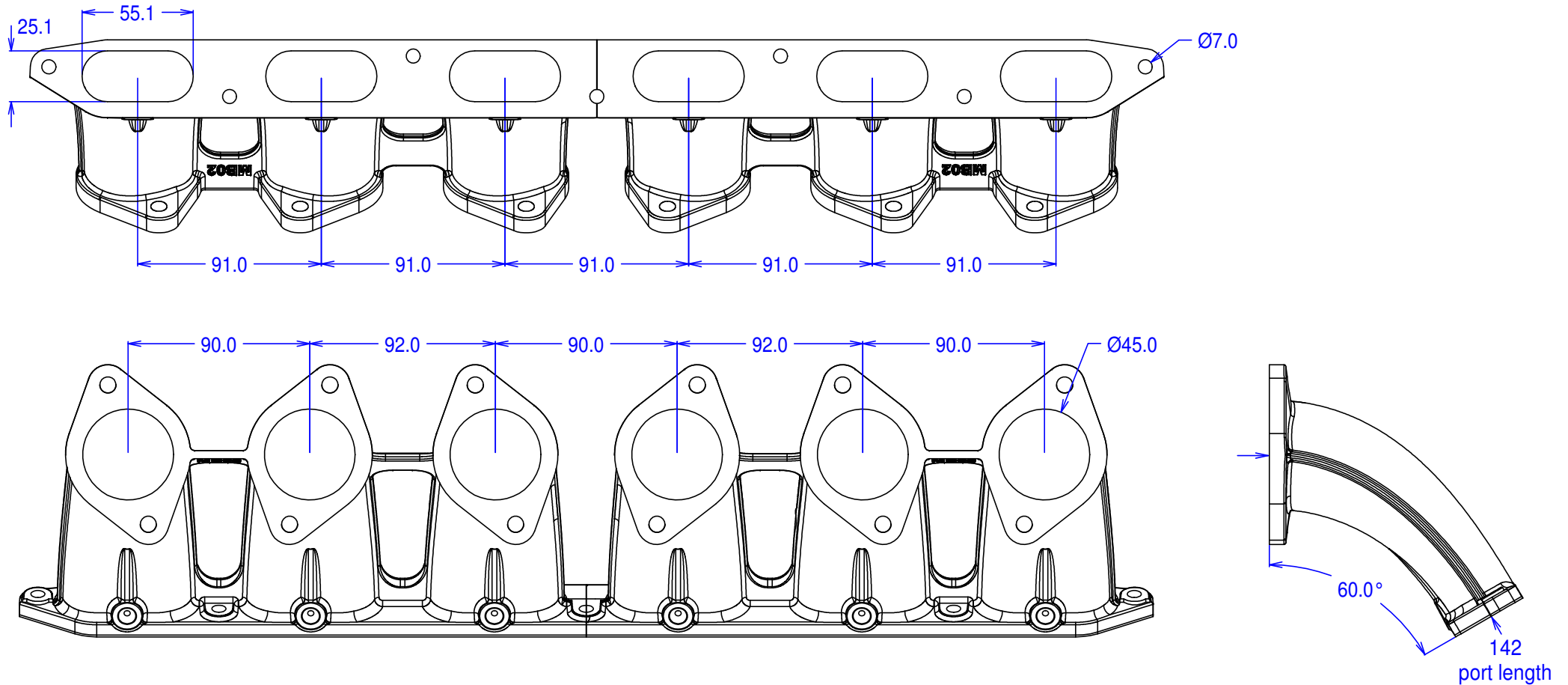




MB02 BMW 6-cyl manifold for twin throttle bodies

© Jenvey Dynamics Ltd 2009-2013
Issue 1
www.jenvey.co.uk



Flanges for Jenvey twin (TB, TH, TS) throttle bodies. May be ported up to 50mm.
Additional material to allow matching to ported cylinder heads.
Undrilled bosses on underside for idle air / vacuum take off / etc.