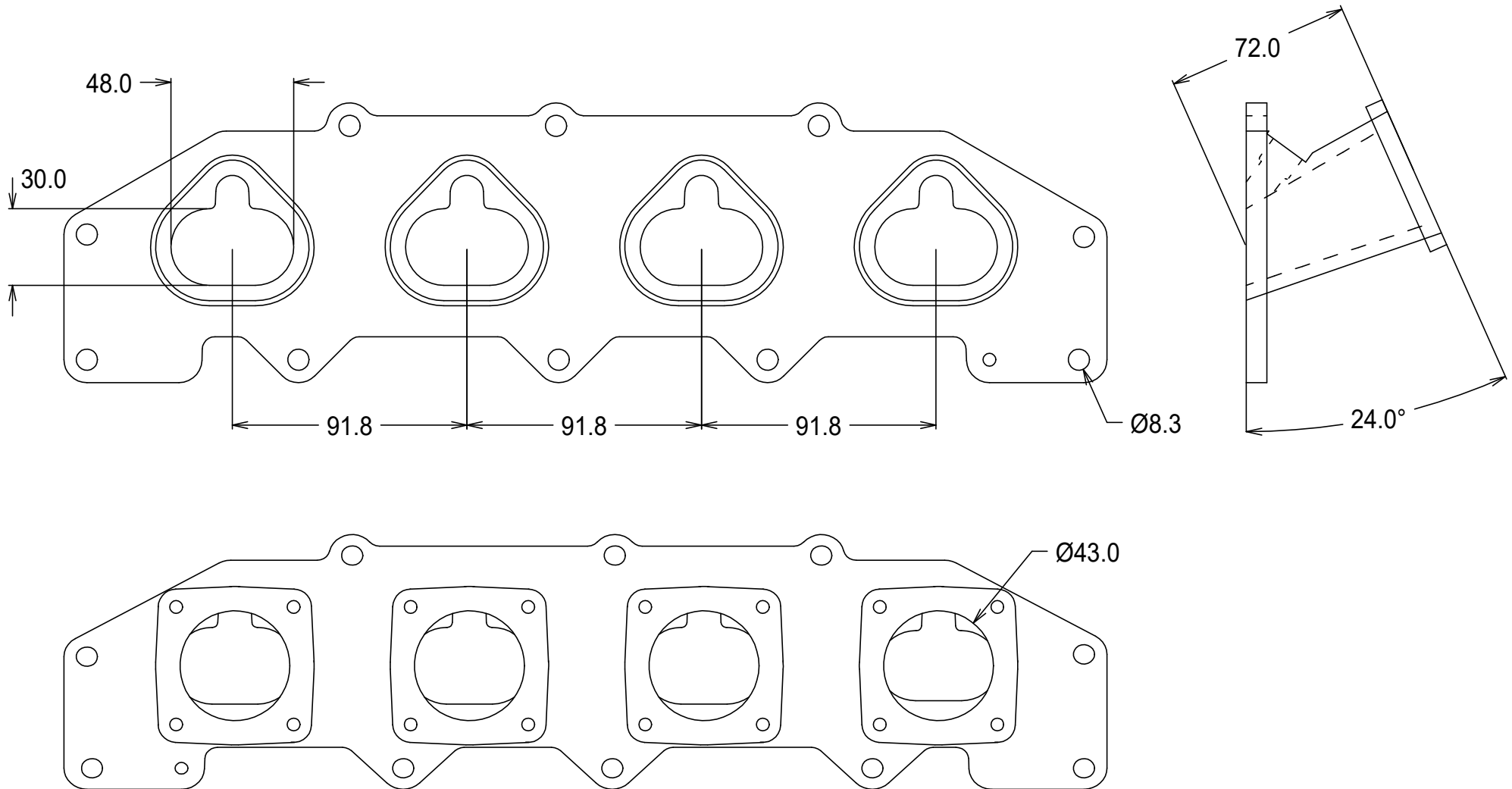




### MF02 - Ford Zetec manifold for individual throttle bodies



Flanges for Jenvey SF throttle bodies.  
Optional vacuum passage for brakes, fast idle valve, sensors etc. machined in to face.  
May be ported up to 46mm at body flange and proportionally at head flange.