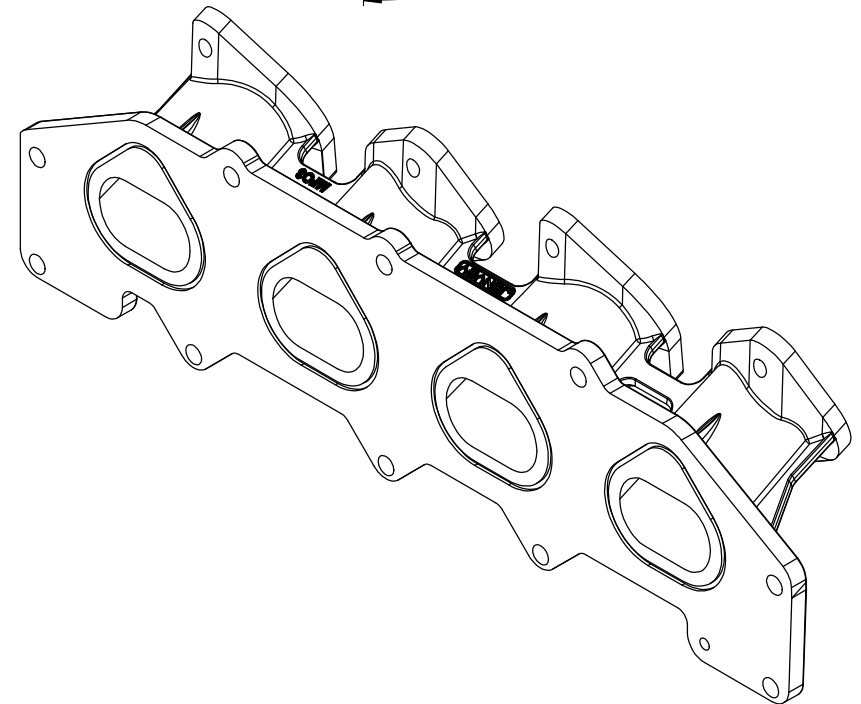
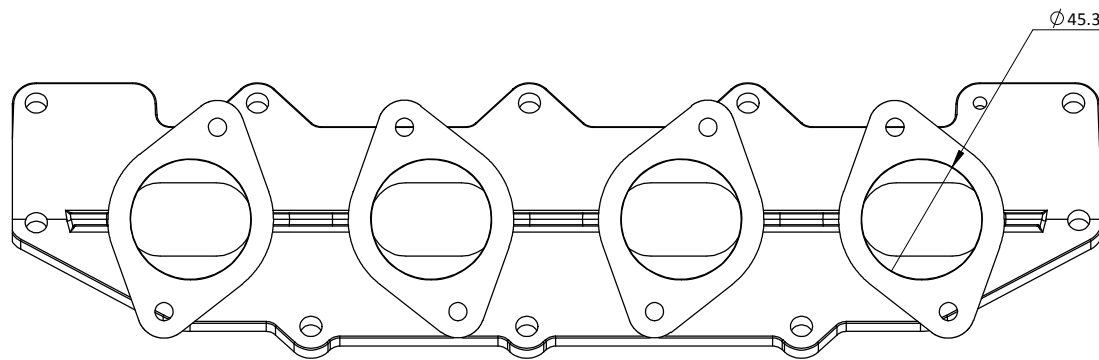
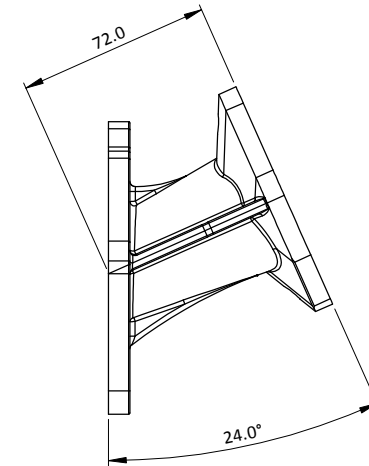
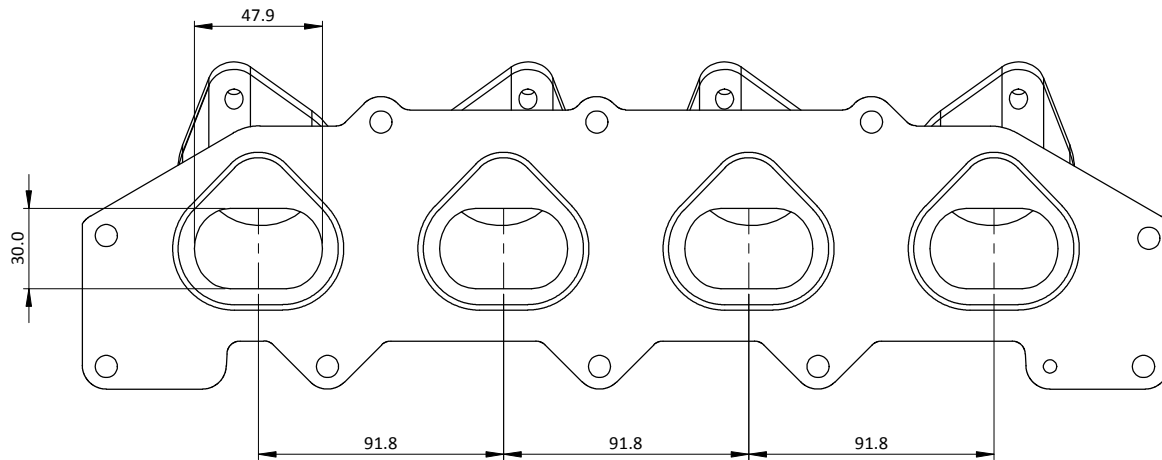


# MF03 - FORD ZETEC MANIFOLD FOR TWIN THROTTLE BODIES



Engineered to win



FLANGES FOR JENVEY TWIN THROTTLE BODIES.  
MAY BE PORTED UP TO 50MM AT BODY FLANGE AND PROPORTIONALLY AT HEAD FLANGE.

Frame: 1 of 1

Version: 1

Tel 01746 768810

© JENVEY DYNAMICS LTD. 2015

Web WWW.JENVEY.CO.UK

