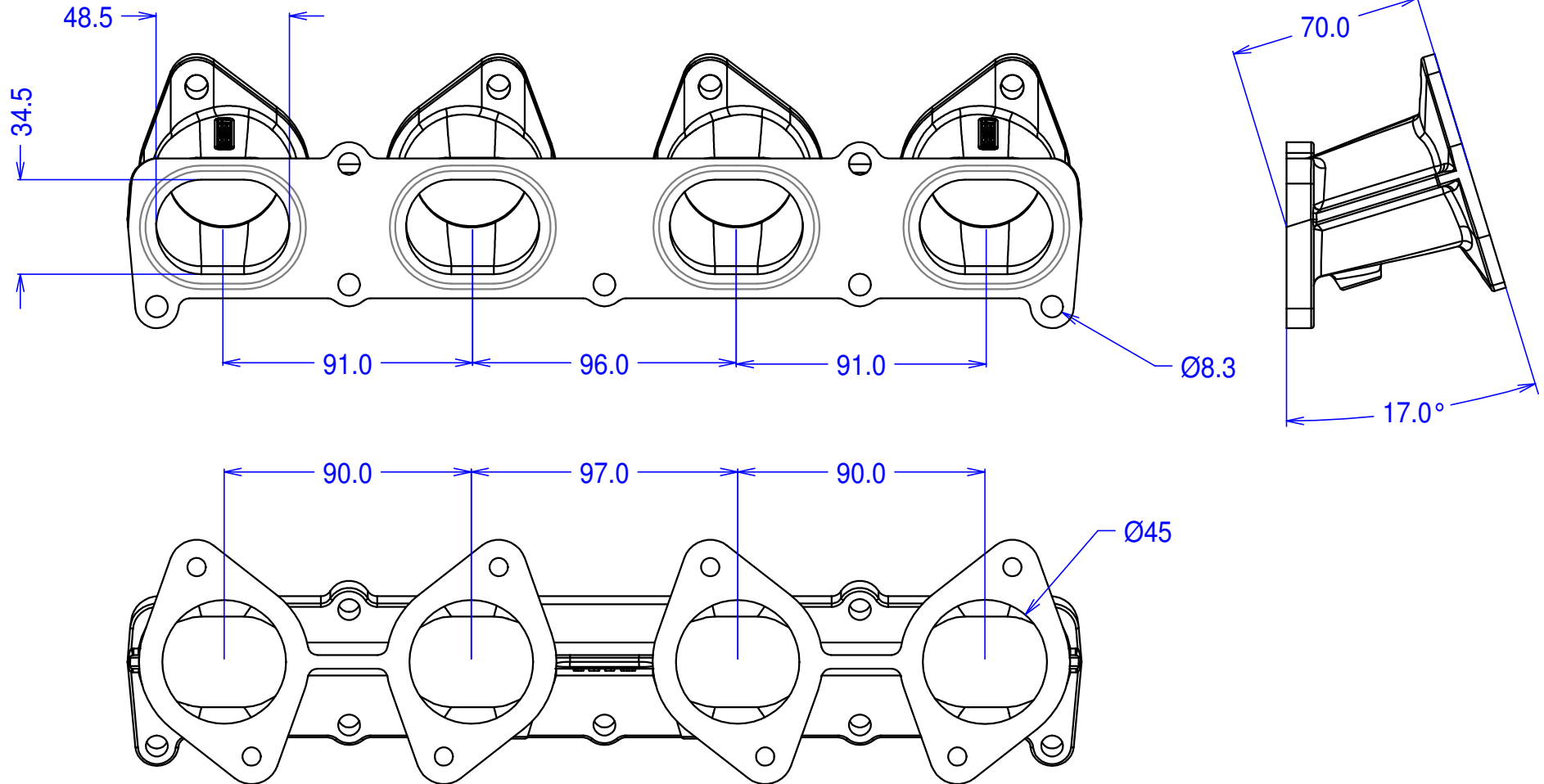




### MF07 - Ford Duratec manifold for twin throttle bodies



O ring seal to cylinder head  
Some additional material for porting out  
Undrilled bosses on underside for idle air / vacuum take off / etc