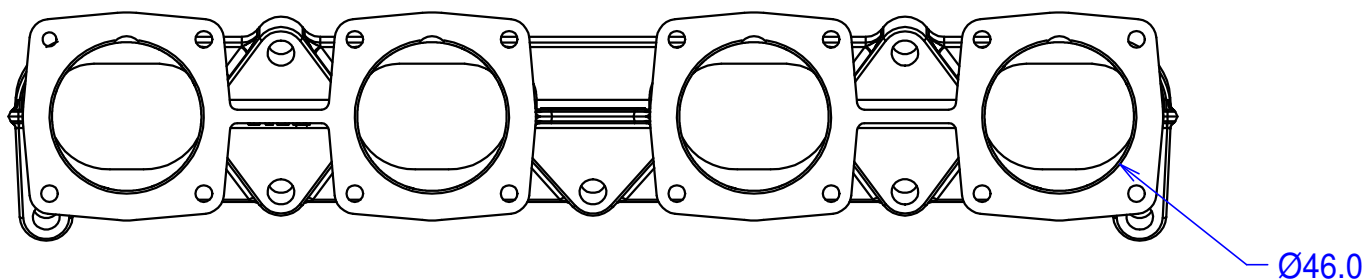
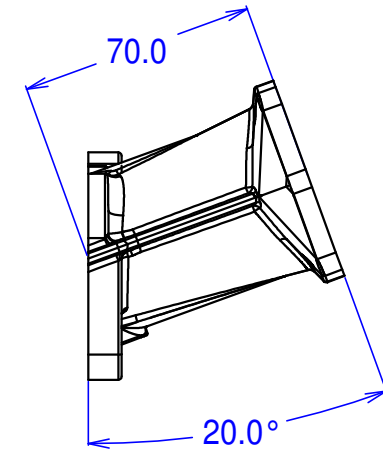
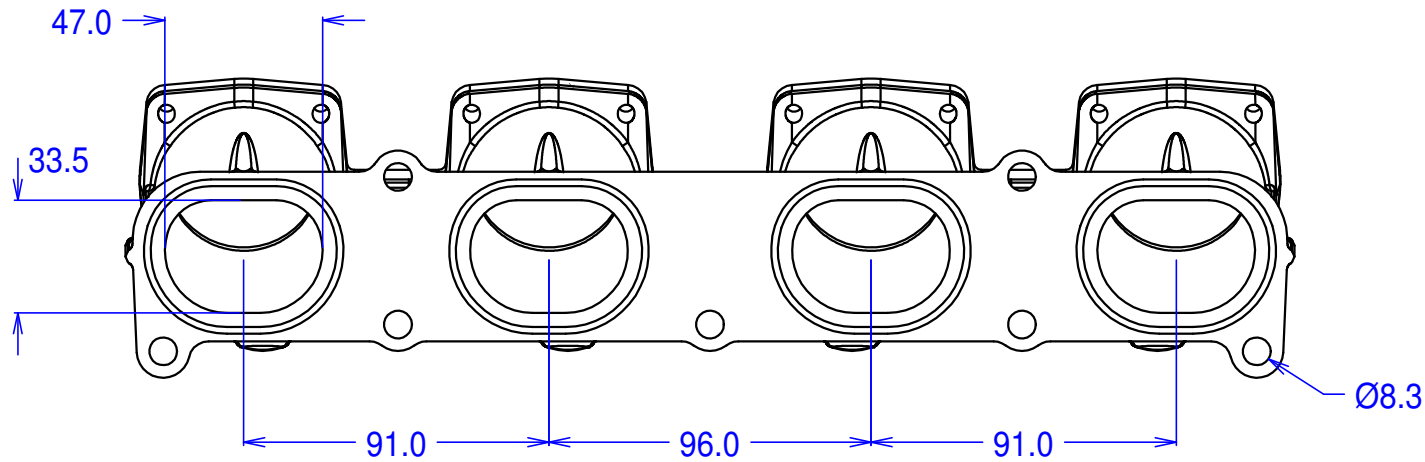




MF10 - Ford Duratec manifold for individual throttle bodies

© Jenvey Dynamics Ltd 2000-2010
Issue 1
www.jenvey.co.uk



Flanges for Jenvey SF throttle bodies. May be ported up to 50mm.
O ring seal to cylinder head
Additional material to allow matching to ported cylinder heads
Undrilled bosses on underside for idle air / vacuum take off / etc