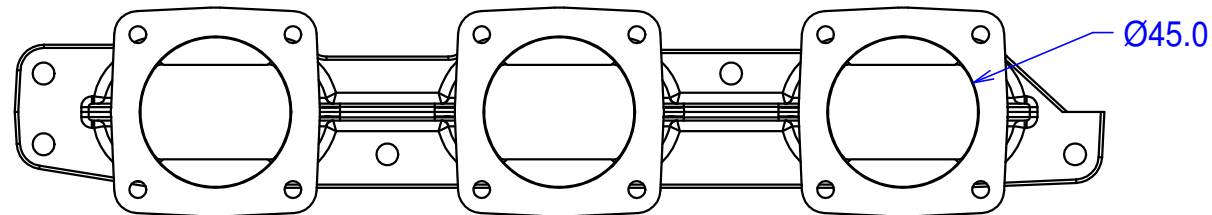
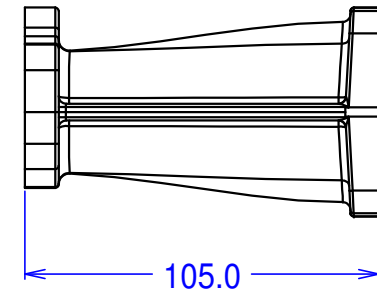
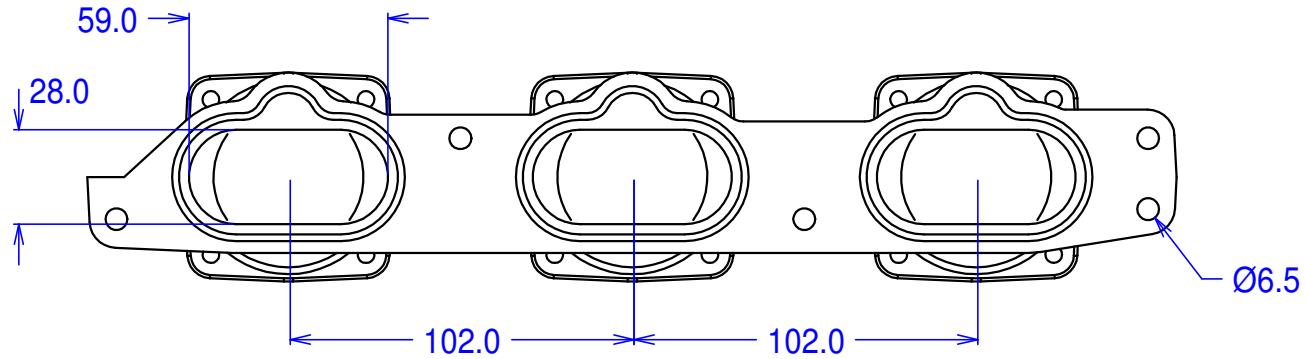




© Jenvey Dynamics Ltd 2000-2010
Issue 2
www.jenvey.co.uk

MF12 - Ford Duratech V6 manifolds for individual throttle bodies



Flanges for Jenvey SF throttle bodies. May be ported up to 50mm at body flange and proportionally at head flange.
O ring seal to cylinder head.
Supplied as matched pair.