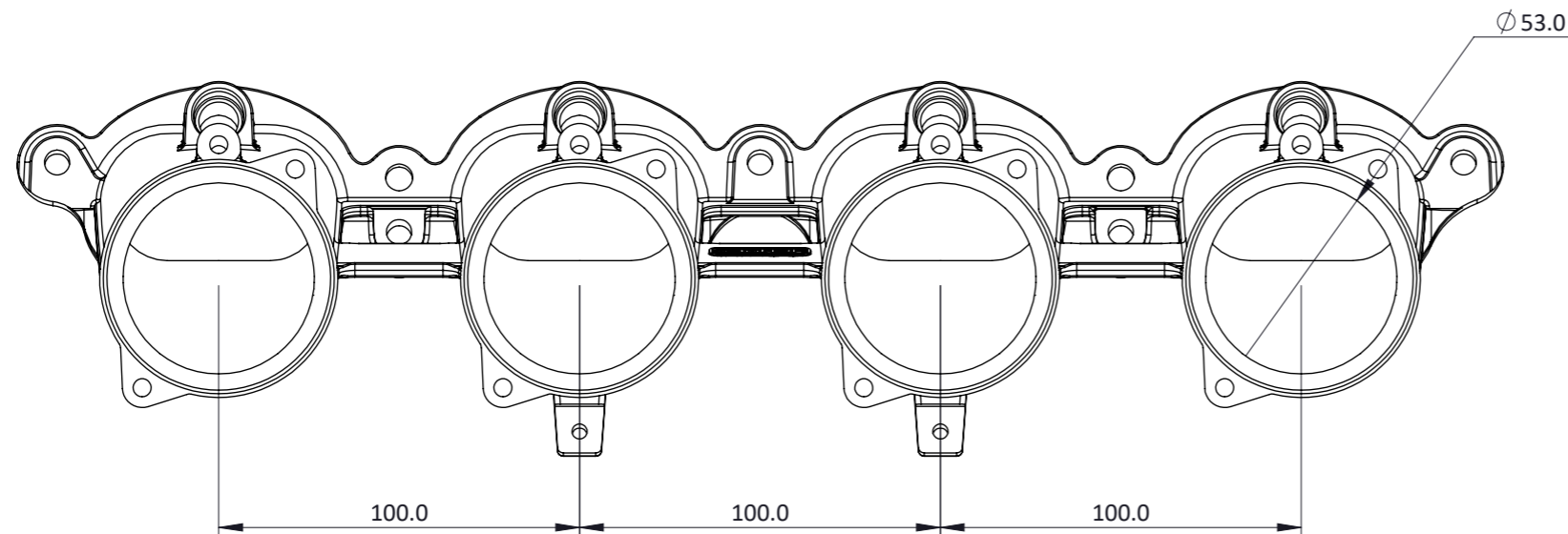
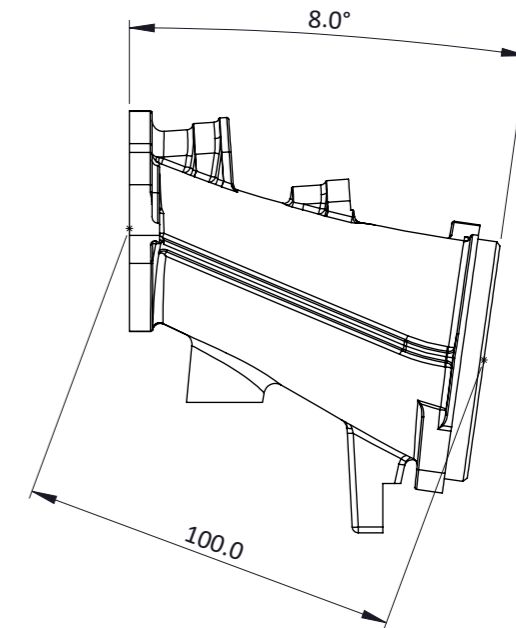
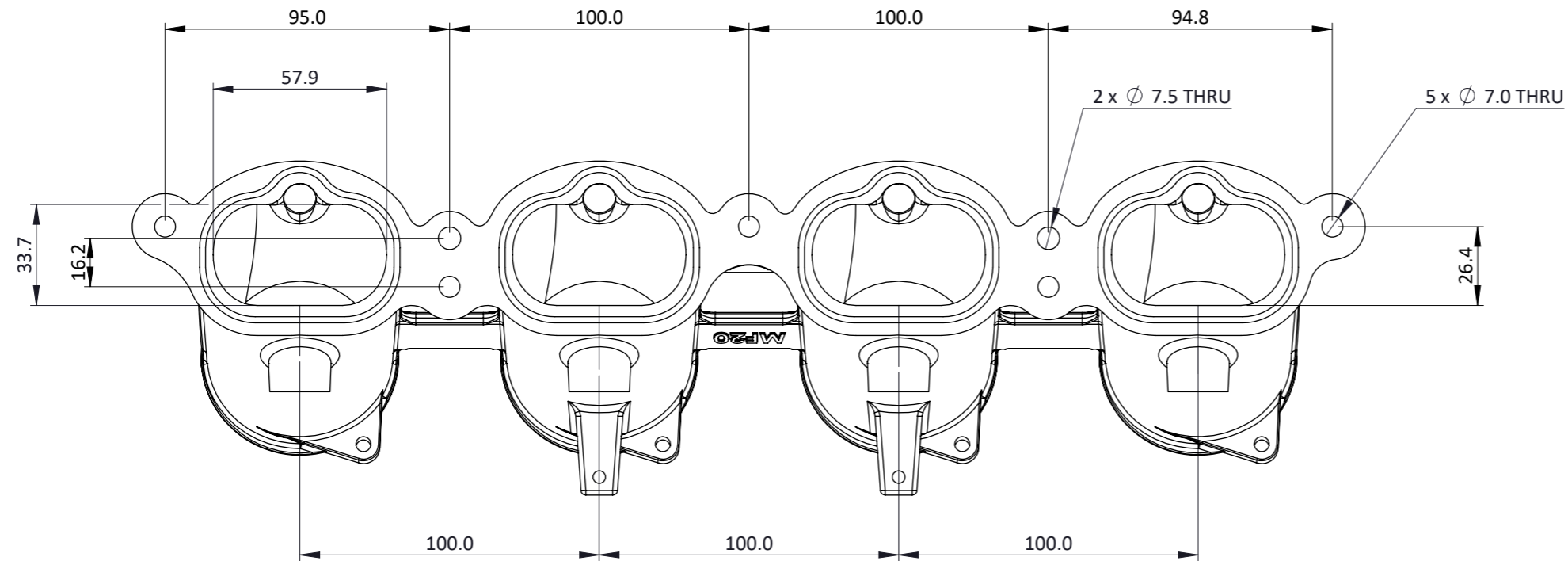


MF20_WEB - COYOTE 5.0 DOWNDRAFT MANIFOLD



Engineered to win



FLANGES FOR JENVEY SSD SPIGOT THROTTLE BODIES

O-RING SEAL TO CYLINDER HEAD.

UNDRILLED BOSSES UNDERIDE ON EACH RUNNER FOR VACUUM TAPPINGS ETC.

Frame: 1 of 1

Version: 2

Tel 01746 768810

© JENVEY DYNAMICS LTD. 2015

Web WWW.JENVEY.CO.UK

