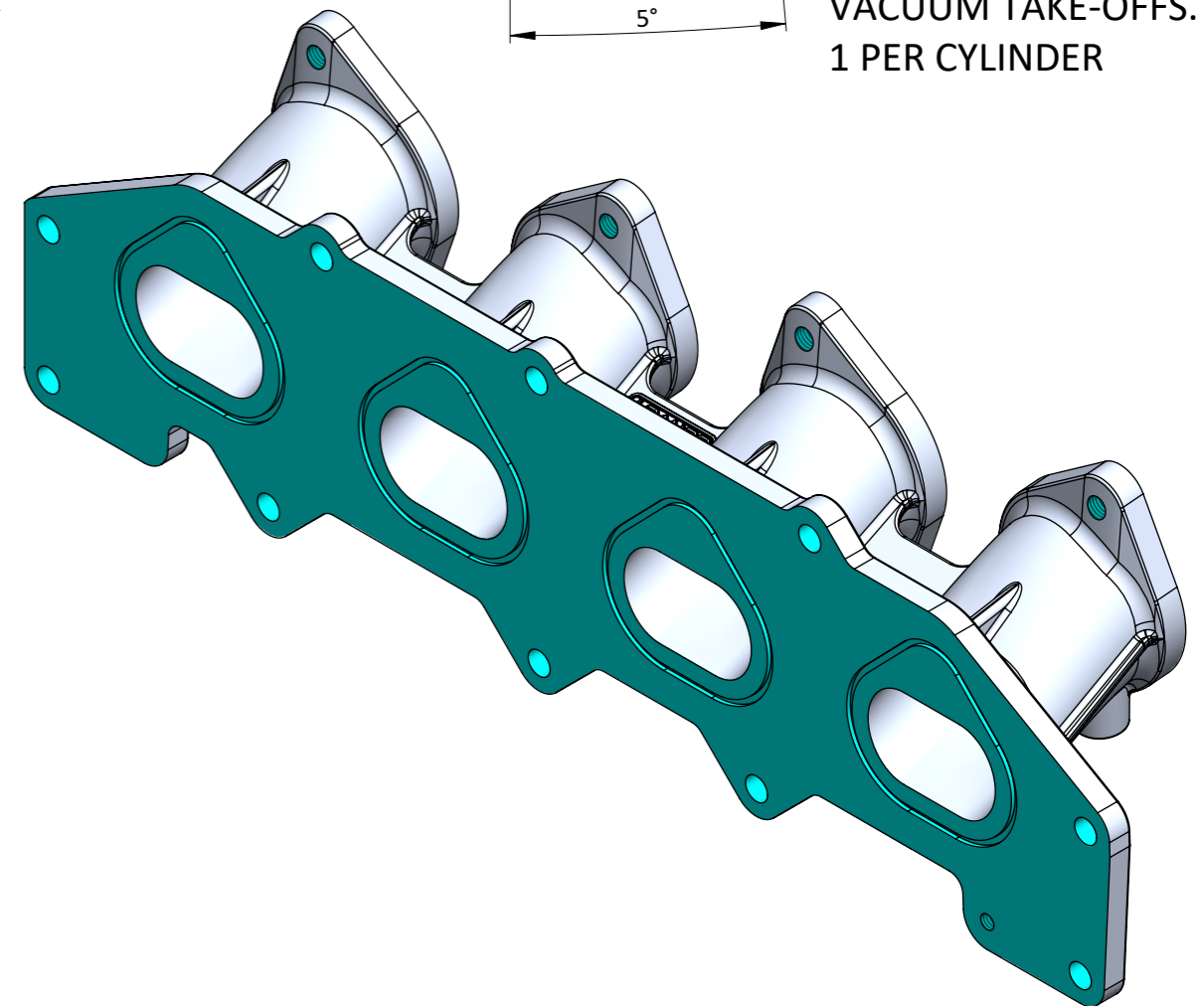
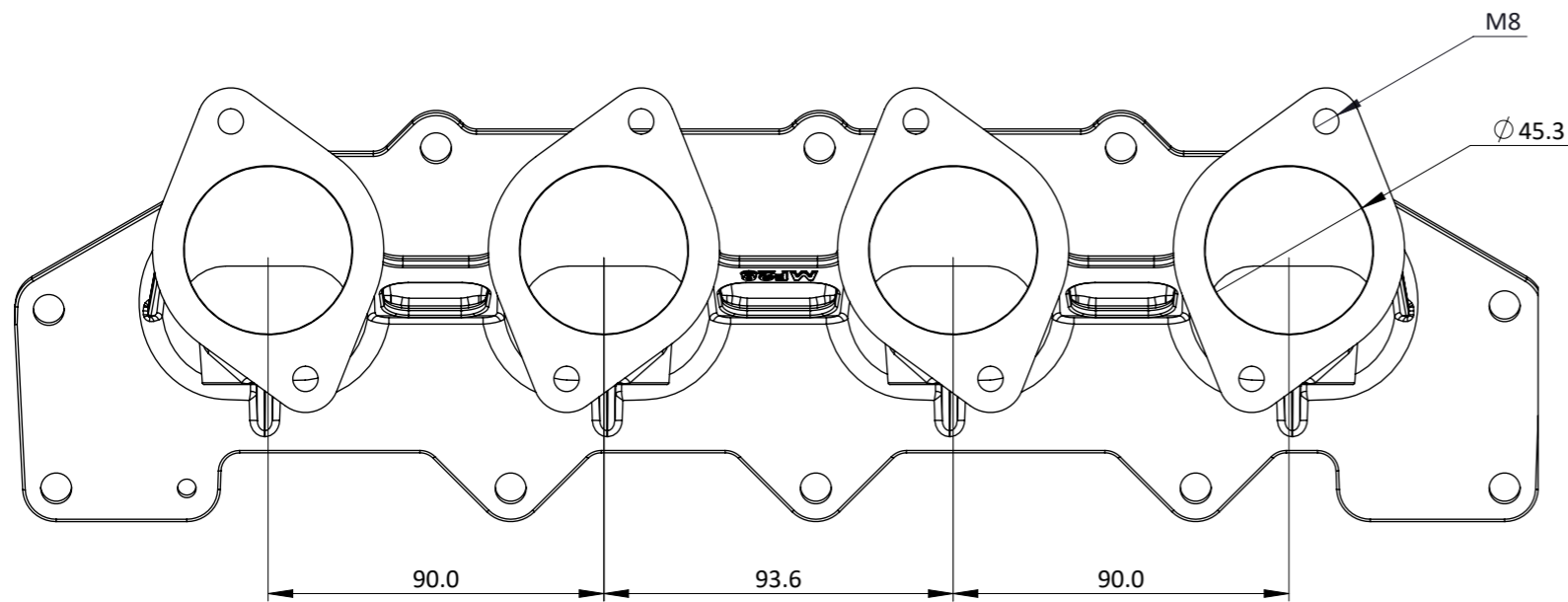
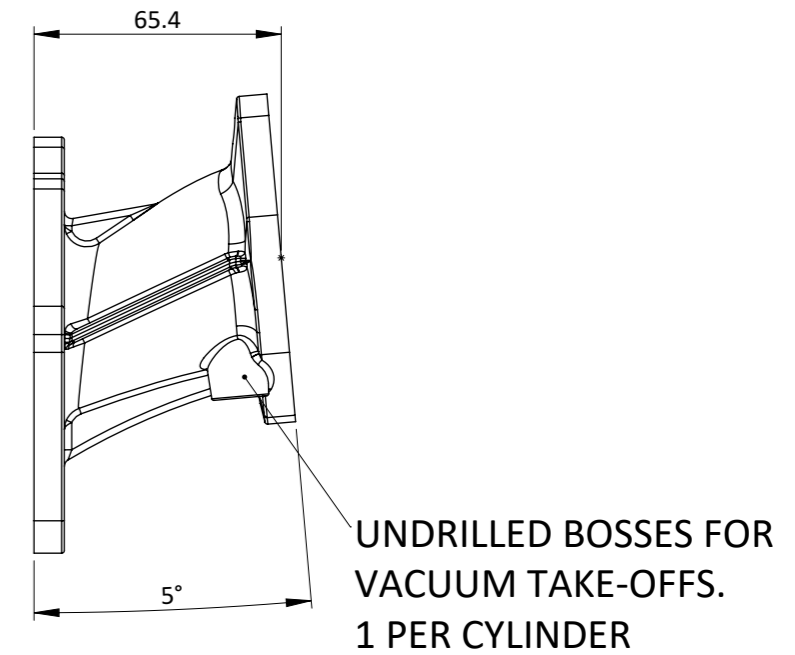
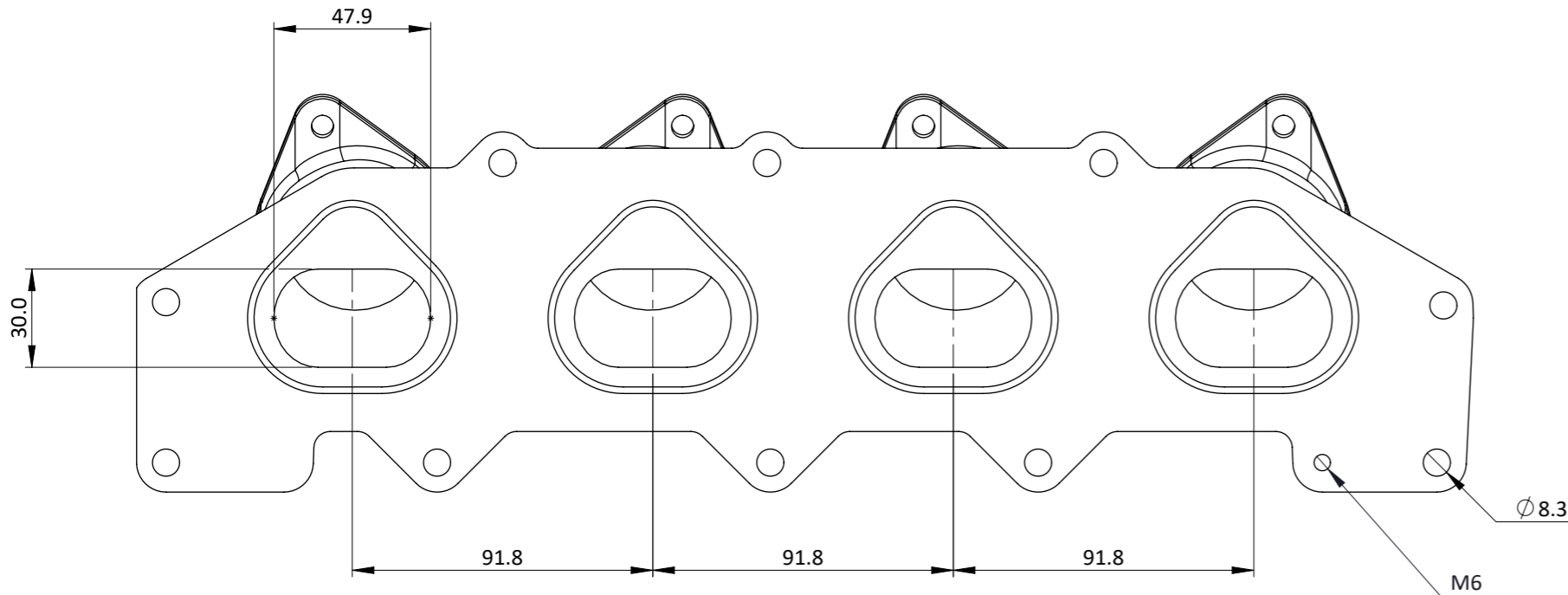


MF28 - ZETEC 5° DCOE MANIFOLD



Engineered to win



FORD ZETEC 5 DEGREE MANIFOLD
FLANGES FOR JENVEY DCOE TWIN THROTTLE BODIES.
MAY BE PORTED UP TO 48mm AT BODY FLANGE AND PROPORTIONALLY AT HEAD FLANGE.

CAN BE USED FOR DCOE CARBURETTORS.

FOR THE ST170 ENGINE SEE THE MANIFOLD MF28-ST170

Frame: 1 of 1

Version: 1

Tel 01746 768810

© JENVEY DYNAMICS LTD. 2015

Web WWW.JENVEY.CO.UK

