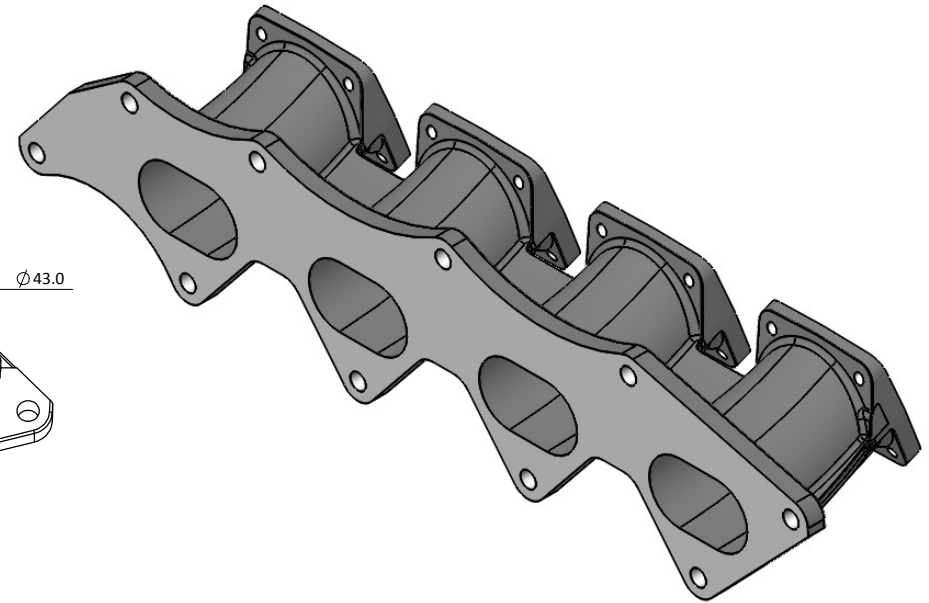
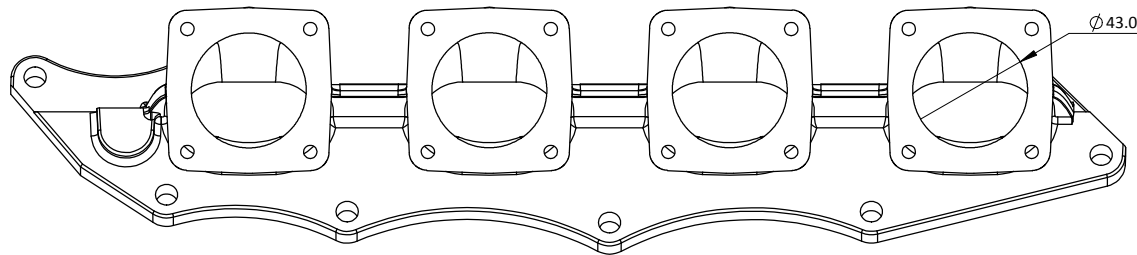
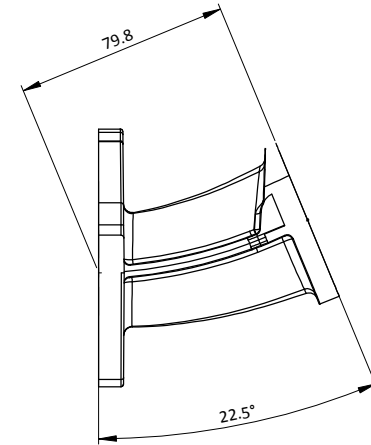
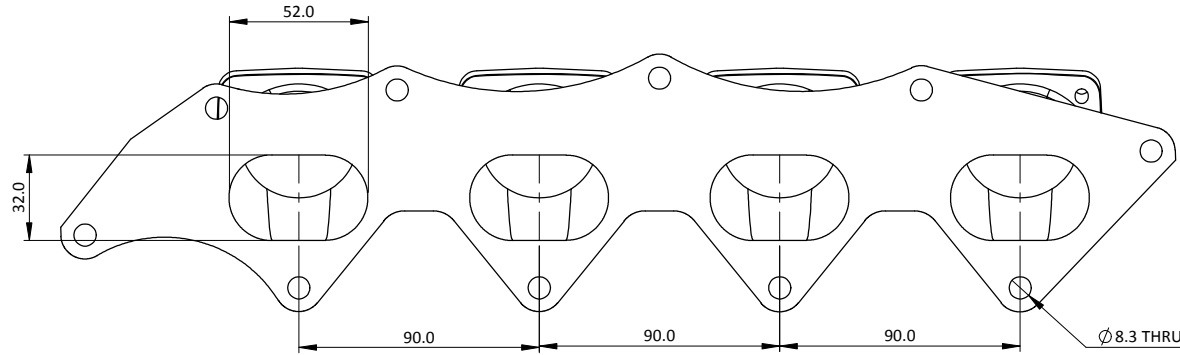


MH03 - HONDA B16 AND B18 C5 MANIFOLD FOR INDIVIDUAL THROTTLE BODIES



Engineered to win



FLANGES FOR JENVEY SF THROTTLE BODIES. MAY BE PORTED OUT TO 48MM.
UNDRILLED BOSS FOR COOLANT TAPPING.

Frame: 1 of 1	
Version: 6	
Tel 01746 768810	© JENVEY DYNAMICS LTD. 2015
Web WWW.JENVEY.CO.UK	