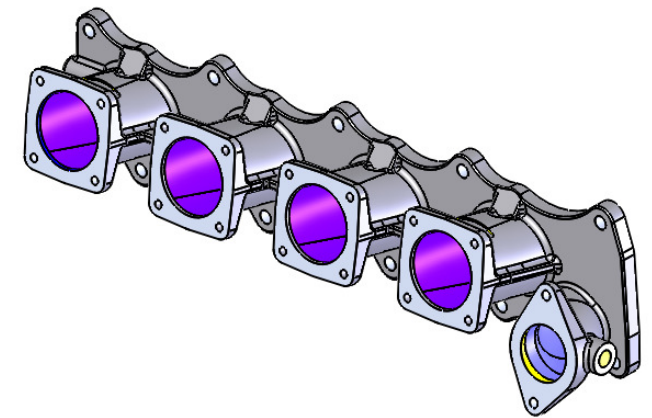
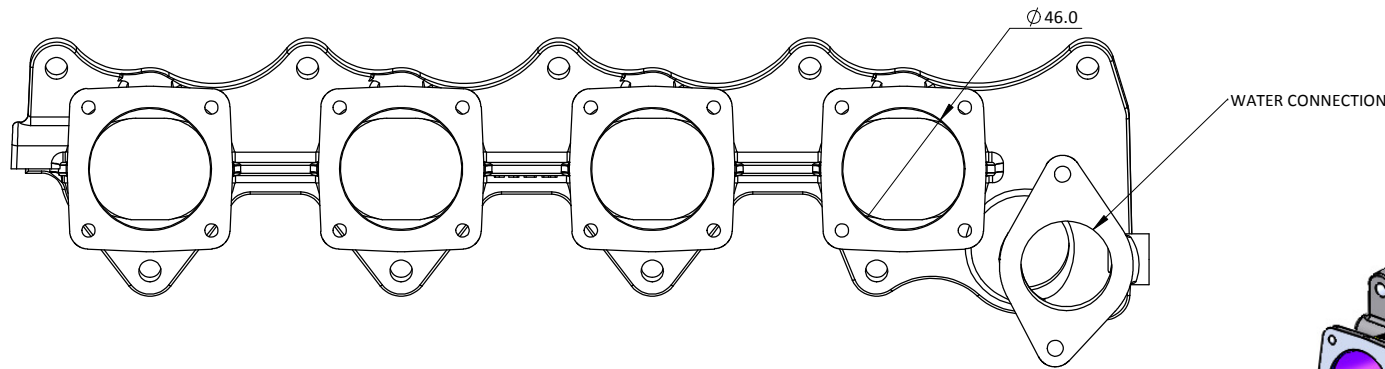
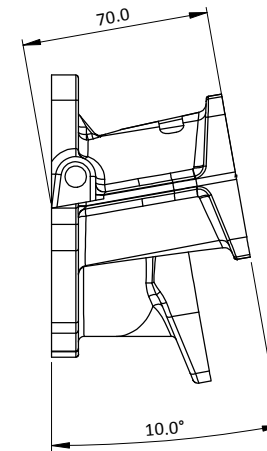
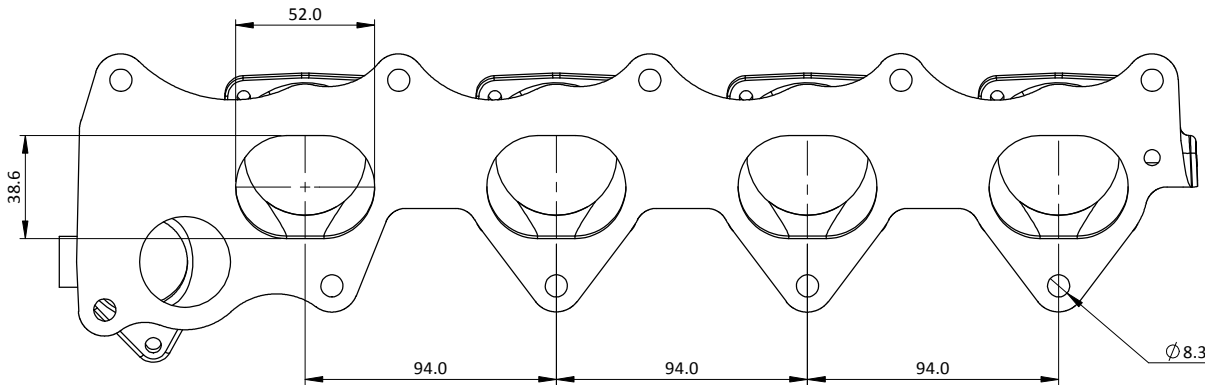


MH05 - HONDA S2000 MANIFOLD



Engineered to win



Flanges for Jenvey SF 51mm tapered throttle bodies.
 May be ported out to $\text{Ø}48\text{mm}$ at body flange and proportionally at head flange.
 Undrilled bosses on top side for injector ports, vacuum tappings etc.
 and undrilled bosses on underside for vacuum tappings.
 Water connection mates with standard parts.

Frame: 1 of 1	
Version: 7	
Tel 01746 768810	© JENVEY DYNAMICS LTD. 2015
Web WWW.JENVEY.CO.UK	