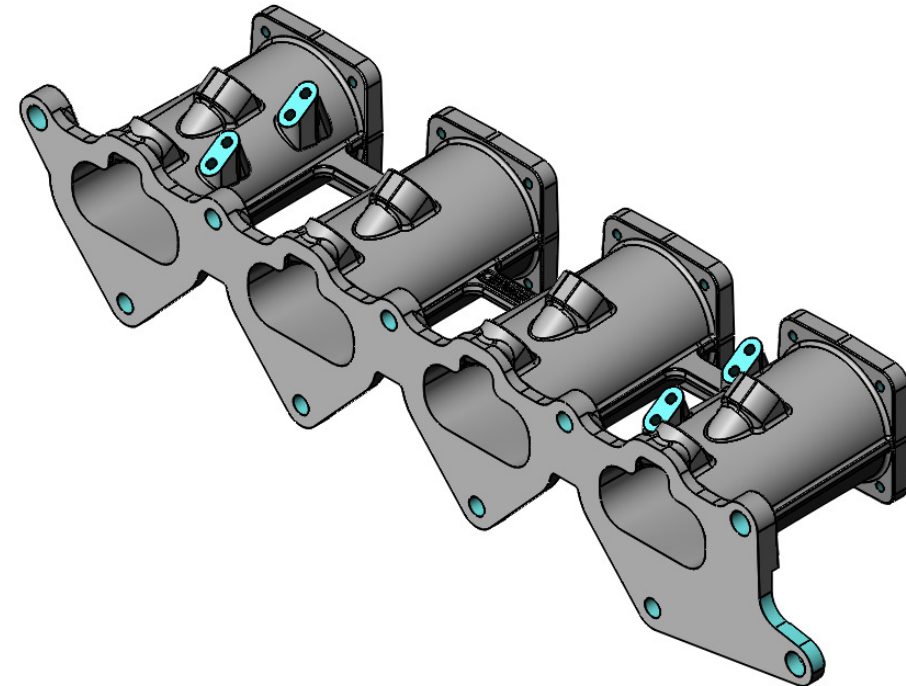
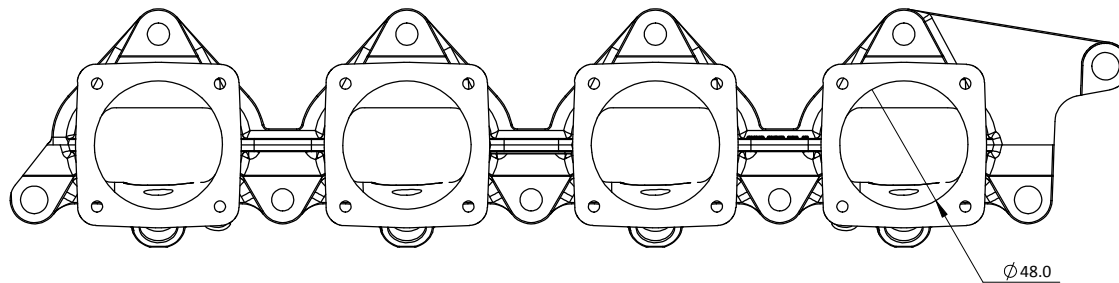
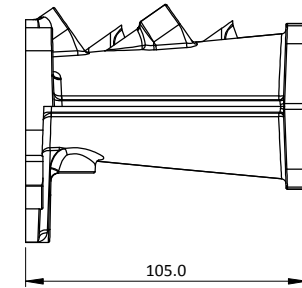
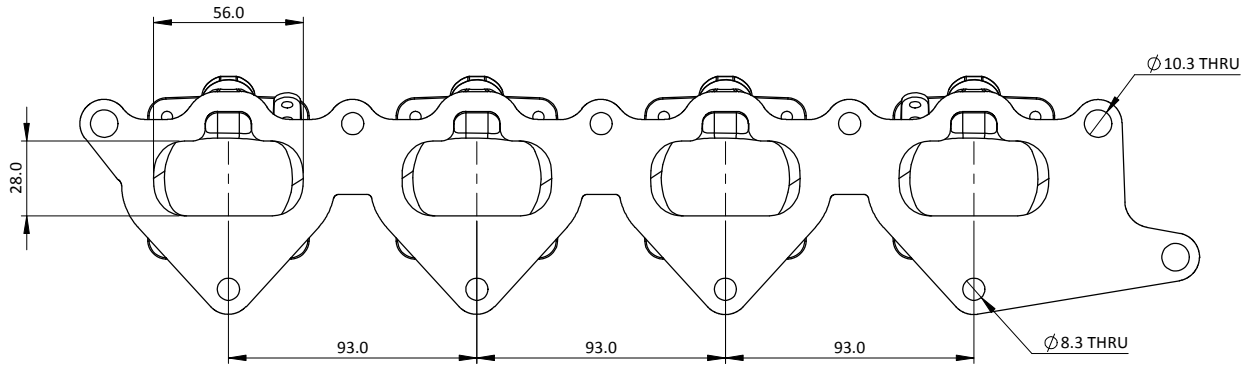


# MM01 - MITSUBISHI EVO 7,8,9 MANIFOLD FOR ITB'S



Engineered to win



Frame: 1 of 1

Version: 7

Tel 01746 768810

© JENVEY DYNAMICS LTD. 2015

Web WWW.JENVEY.CO.UK

