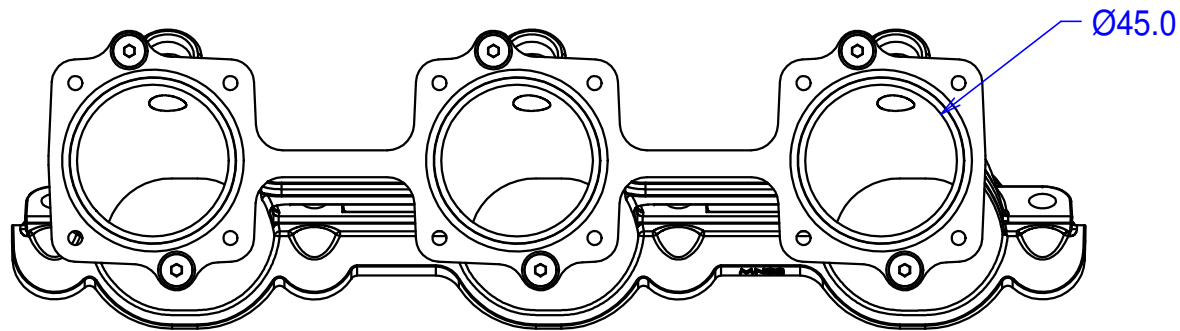
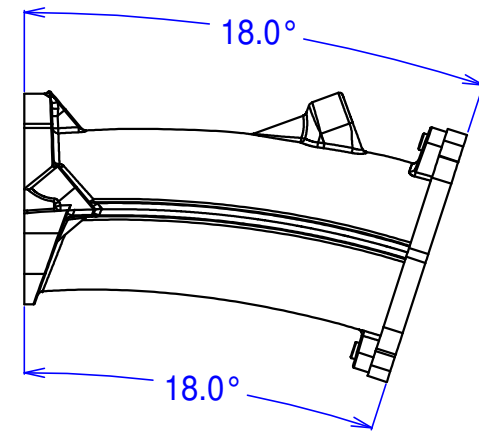
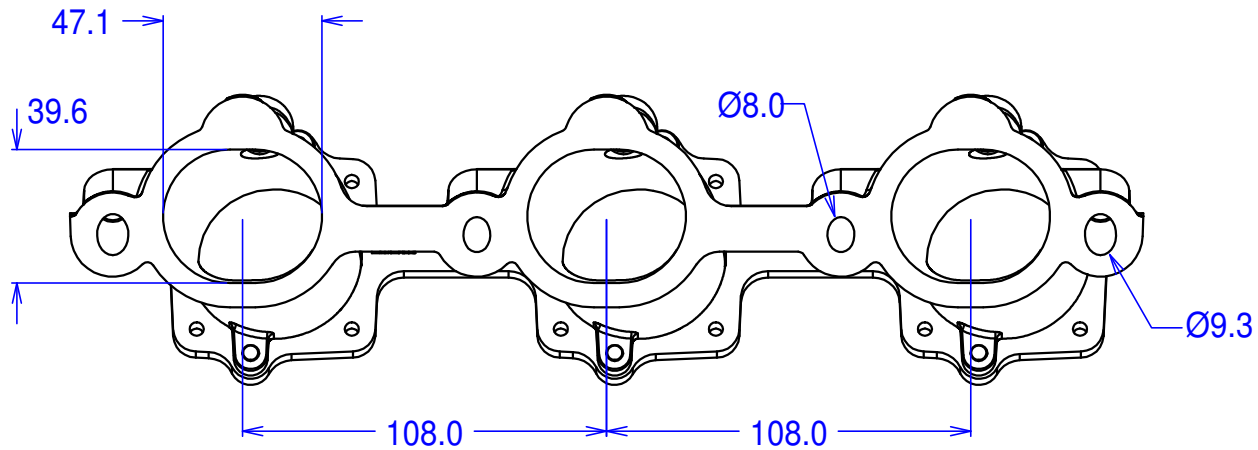


MN02 - Nissan VQ35 & VQ36 V6 manifolds for individual throttle bodies



Flanges for Jenvey SF throttle bodies.
Supplied as matched pair which intertwine for cross-over induction.
Bosses on top side for vacuum tappings.
Machined injector pockets included.