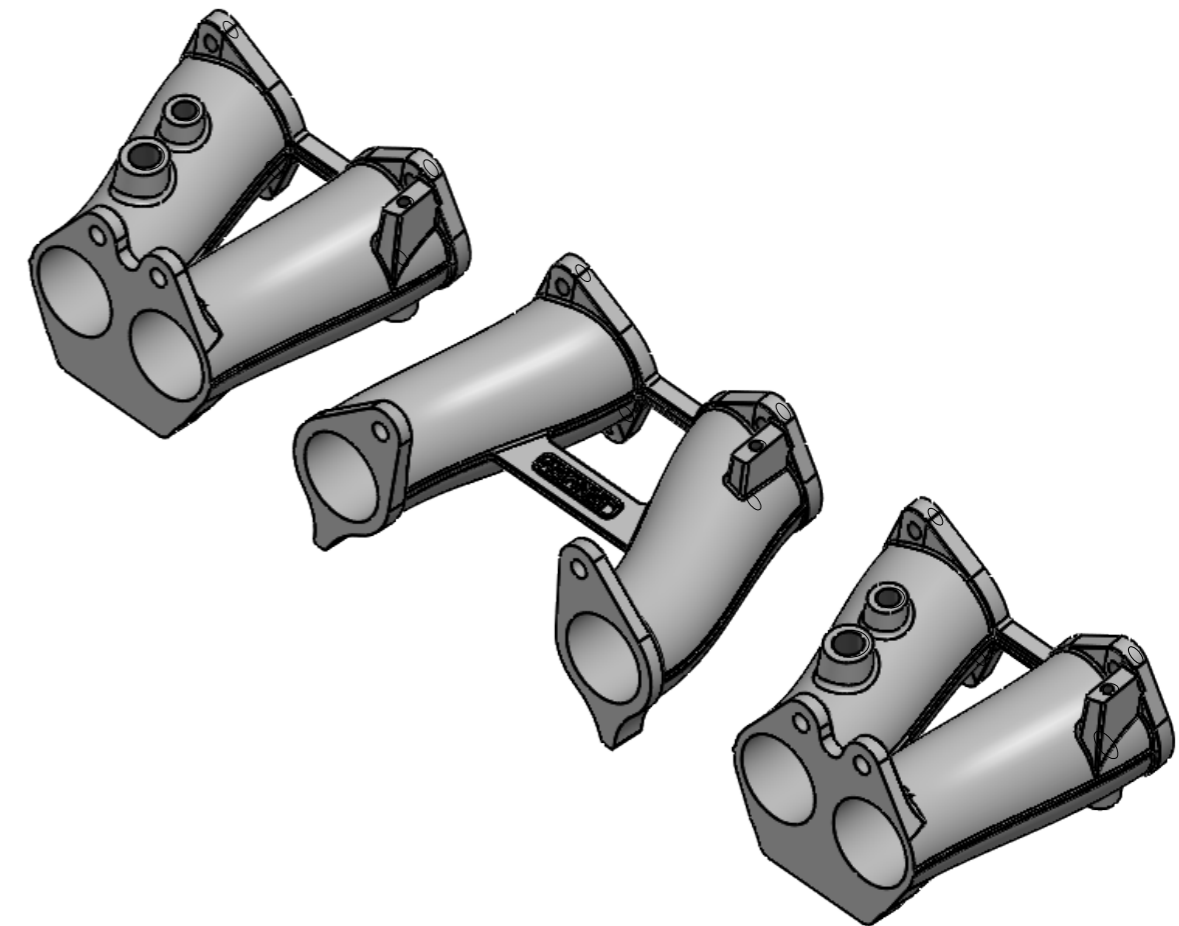
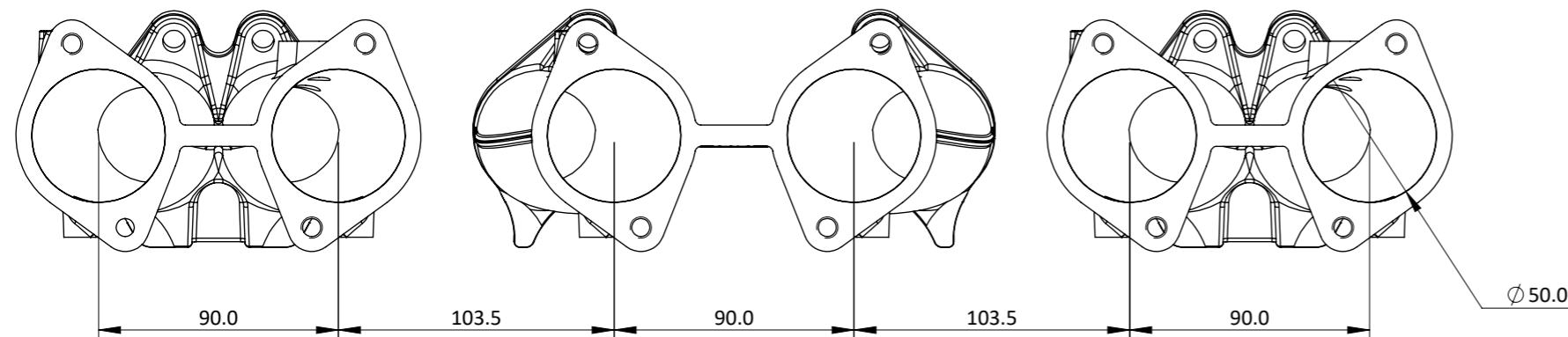
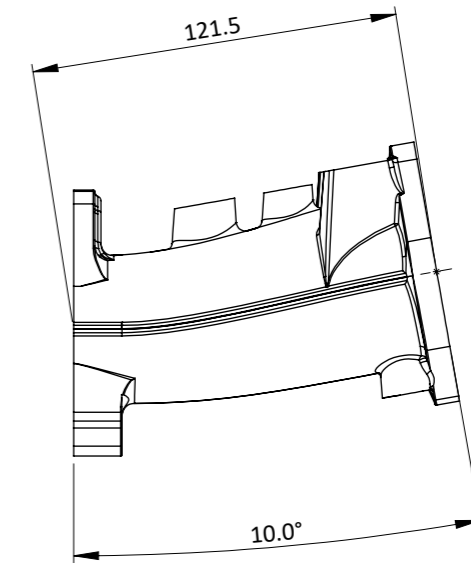
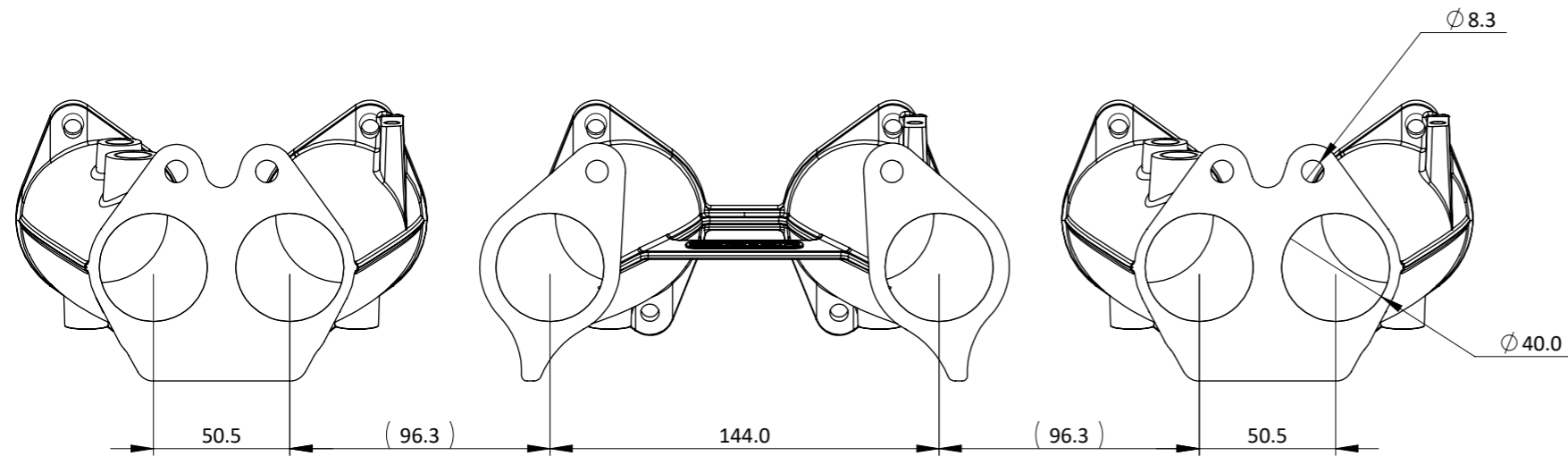


# MN03-WEB - DATSUN 240Z MANIFOLD



Engineered to win



NISSAN DATSUN L28 MANIFOLD SET FOR 240Z, 260Z, 280Z, 280ZX. THE SET OF MANIFOLDS FITS TO THE DATSUN L-SERIES 6 CYLINDER ENGINES (L28. WILL ALSO FIT L26, L24) AND HAS BEEN PORTED TO MATCH 50mm THROTTLE BODIES AT THE INLET (WHICH CAN BE PORTED UP TO 55mm) AND 40mm ON THE CYLINDER HEAD SIDE AND CAN BE USED WITH ANY DCOE STYLE FLANGE THROTTLE BODY.

MANIFOLDS INCLUDES TAKE OFF BOSSES, 2X 1/4" NPT, 2X 1/8" NPT ON TOP SIDE, 6X 1/8" NPT ON UNDERSIDE WITH PROVISIONS FOR THE ORIGINAL LINKAGE BAR SETUP.

Frame: 1 of 1

Version: 2

Tel 01746 768810

© JENVEY DYNAMICS LTD. 2015

Web WWW.JENVEY.CO.UK

