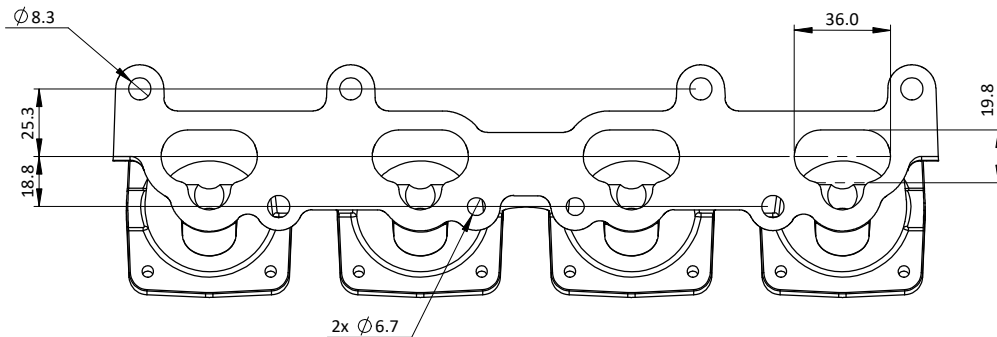
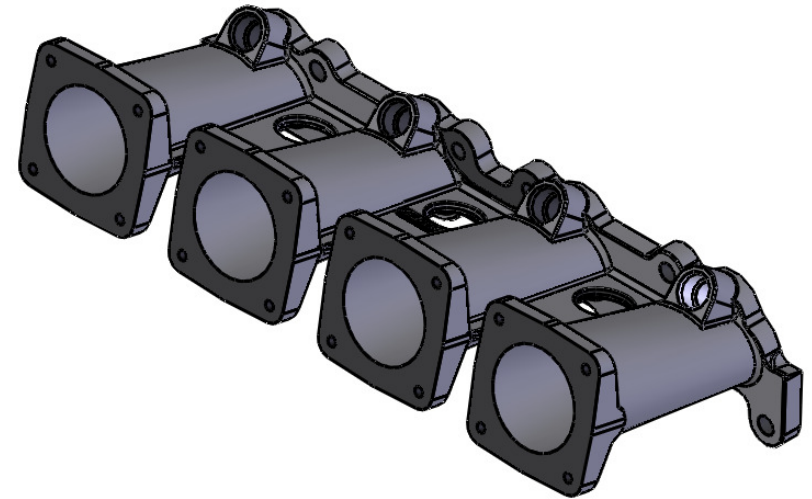
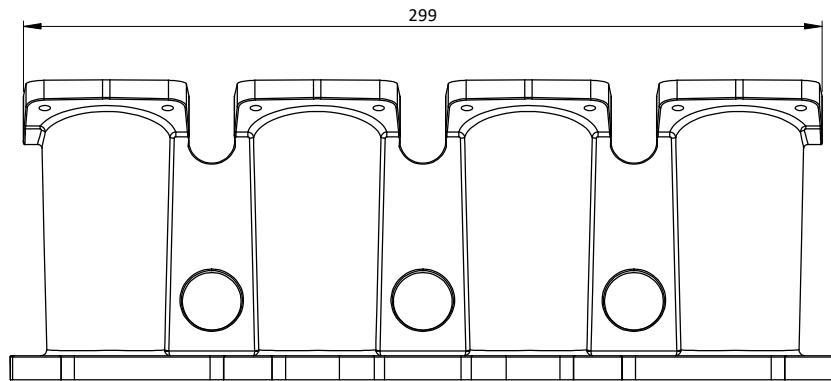
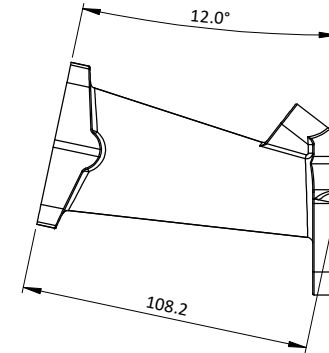
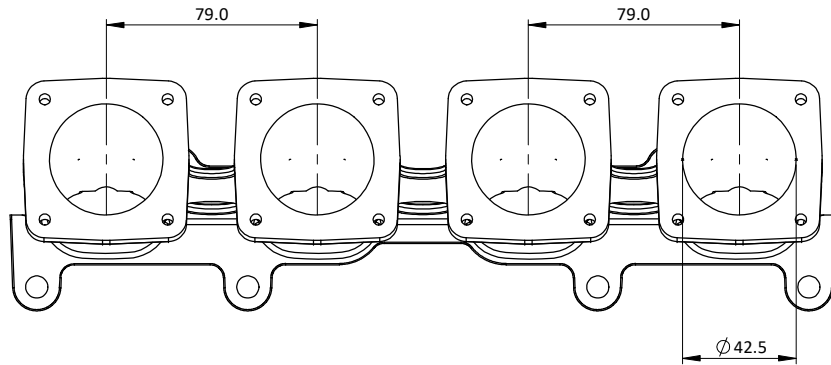


# MN51 - NISSAN MICRA MANIFOLD LONG



Engineered to win



Frame: 1 of 1

Version: 2

Tel 01746 768810

© JENVEY DYNAMICS LTD. 2015

Web WWW.JENVEY.CO.UK

