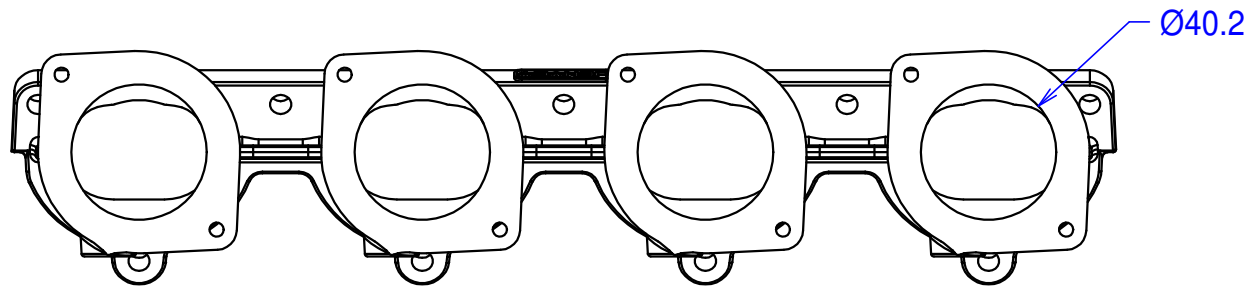
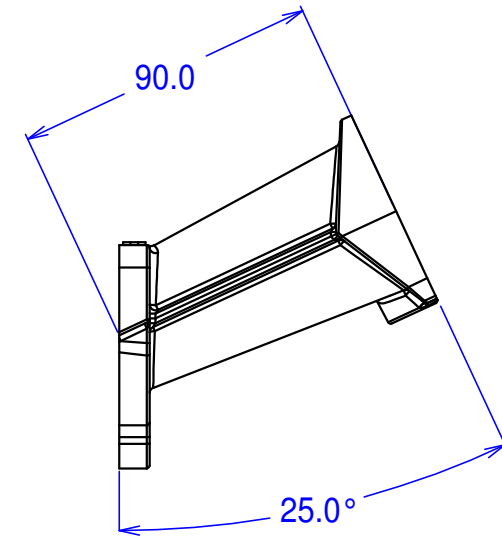
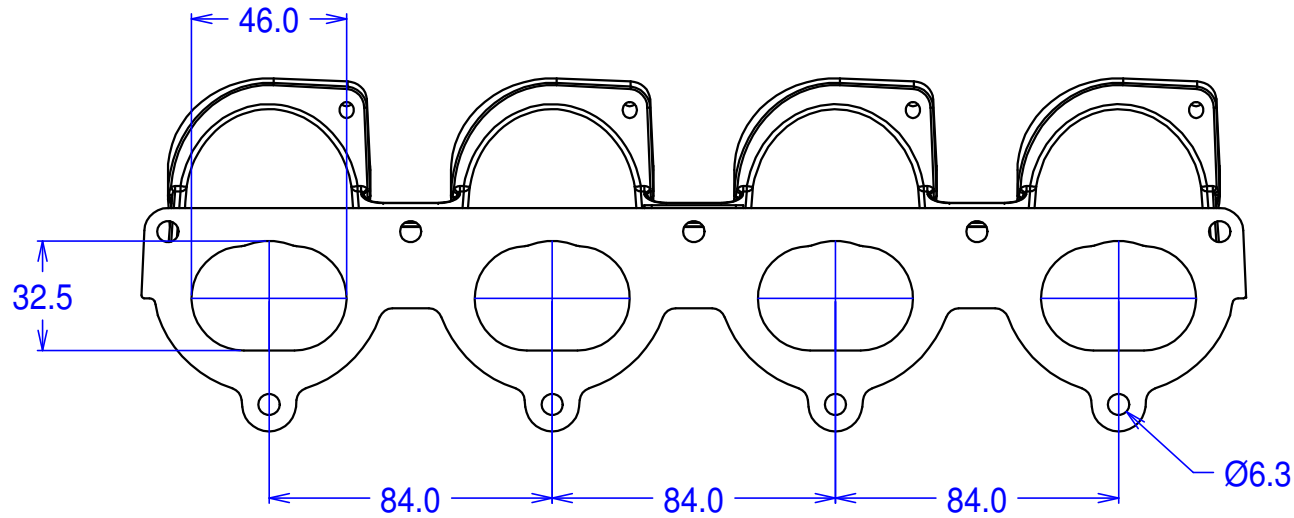


MP06 - Peugeot 106 & Citroen C2 1.6L '04+ manifold for individual throttle bodies



Flanges for Jenvey ST throttle bodies or SF with spindle mods.
May be ported out to 45mm at body flange and proportionally at head flange.
2 bosses at ends and 4 on underside for vacuum tapings.