

MPC07-41 - PORSCHE TDA3 MANIFOLD PAIR - 45/41 3 BOLT



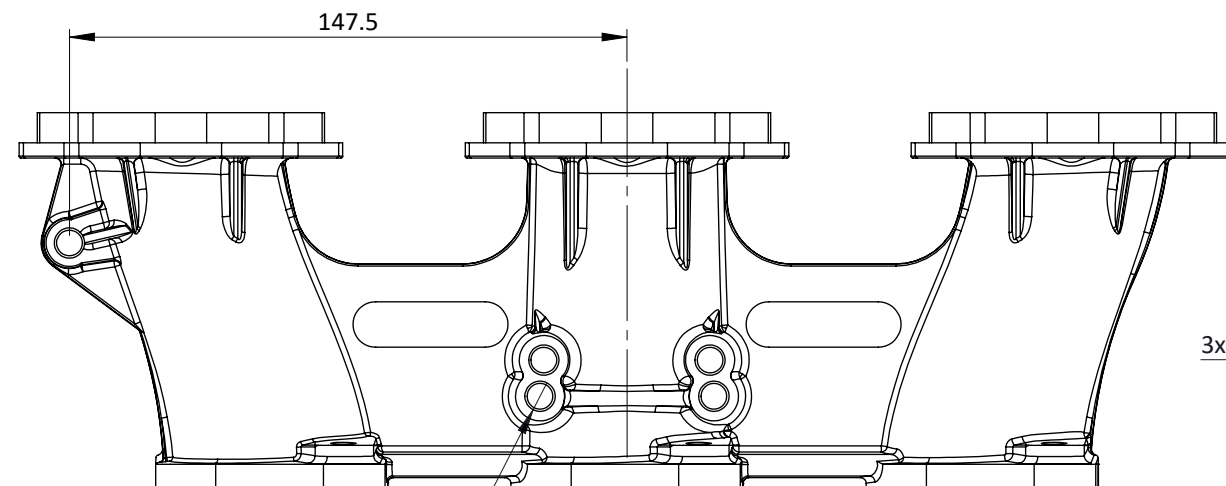
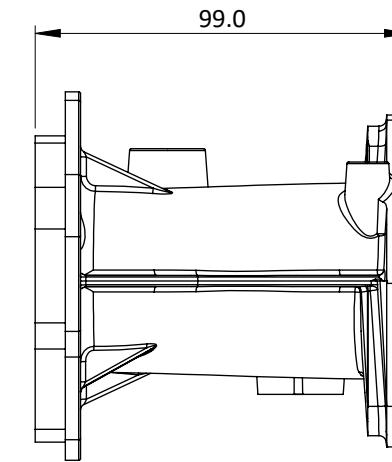
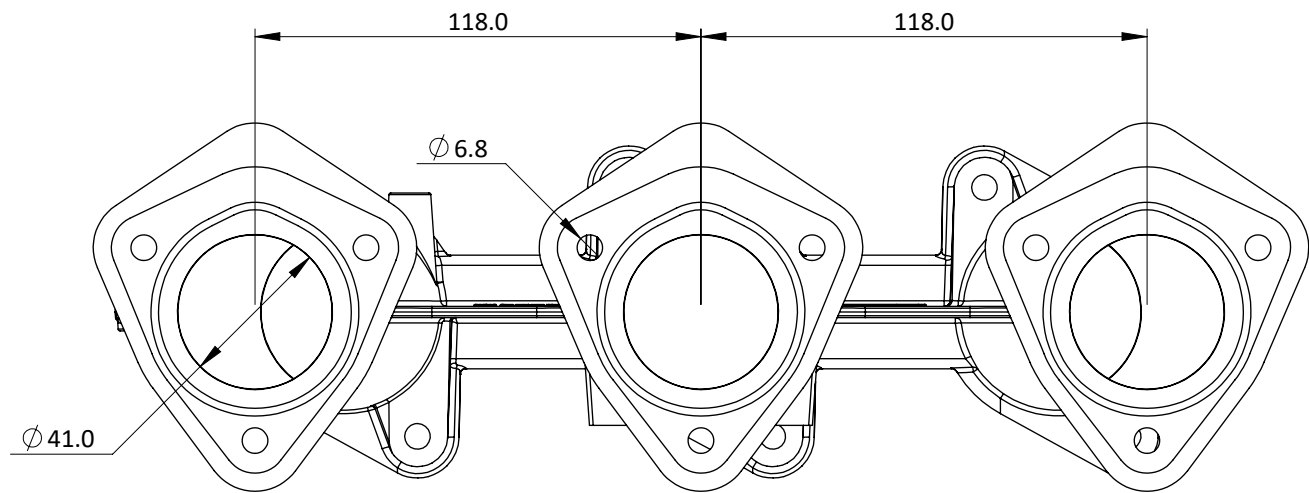
Engineered to win

FOR PORSCHE 3 STUD AIR COOLED 964 STYLE CARS 1989-1994

USED ON THE 3.6L & 3.8L ENGINE

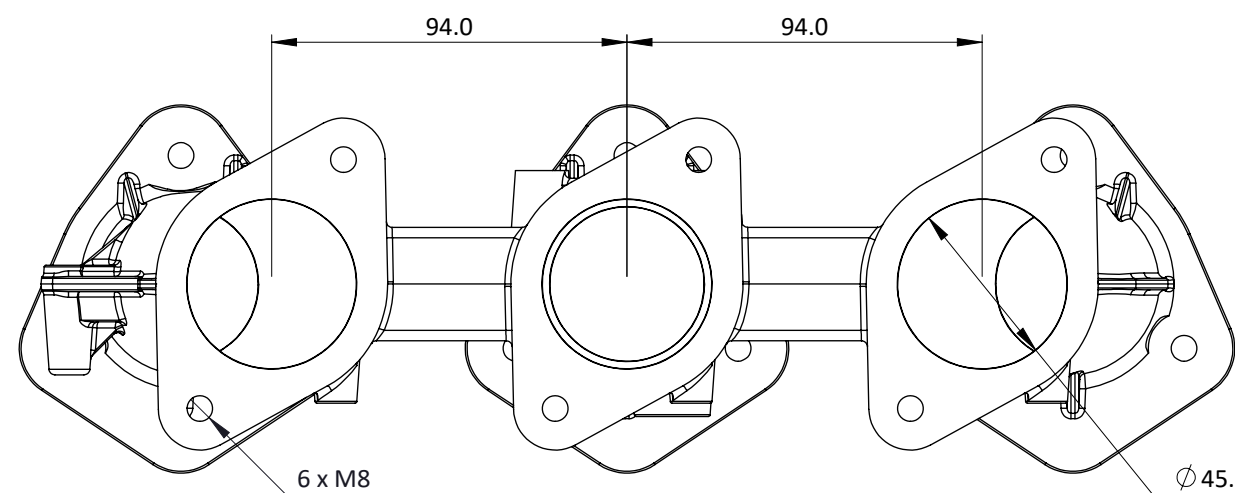
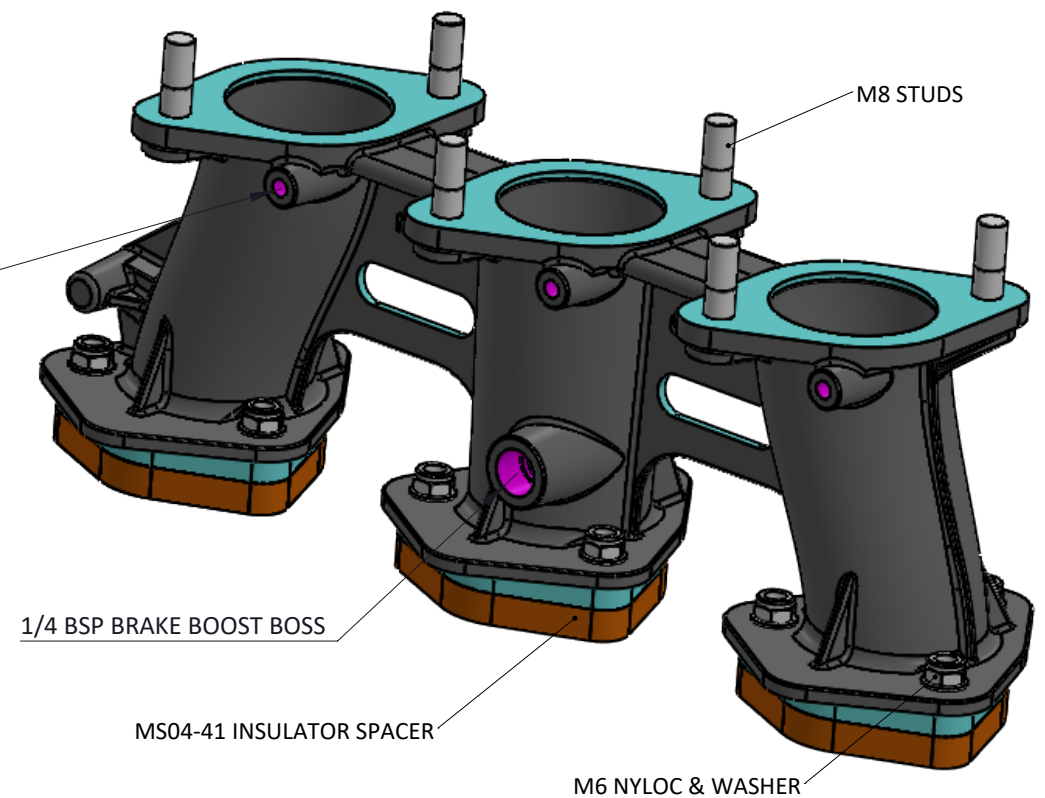
COMES WITH B30 PHENOLIC 9MM INSULATED SPACERS, FIXING KIT & O RINGS

MANIFOLD POWDER COATED CRACKLE BLACK



4x M8 LINKAGE MOUNTS

3x M6 IDLE BOSSES FOR IB03



Frame: 1 of 1

Version: 1

Tel 01746 768810

© JENVEY DYNAMICS LTD. 2015

Web WWW.JENVEY.CO.UK

