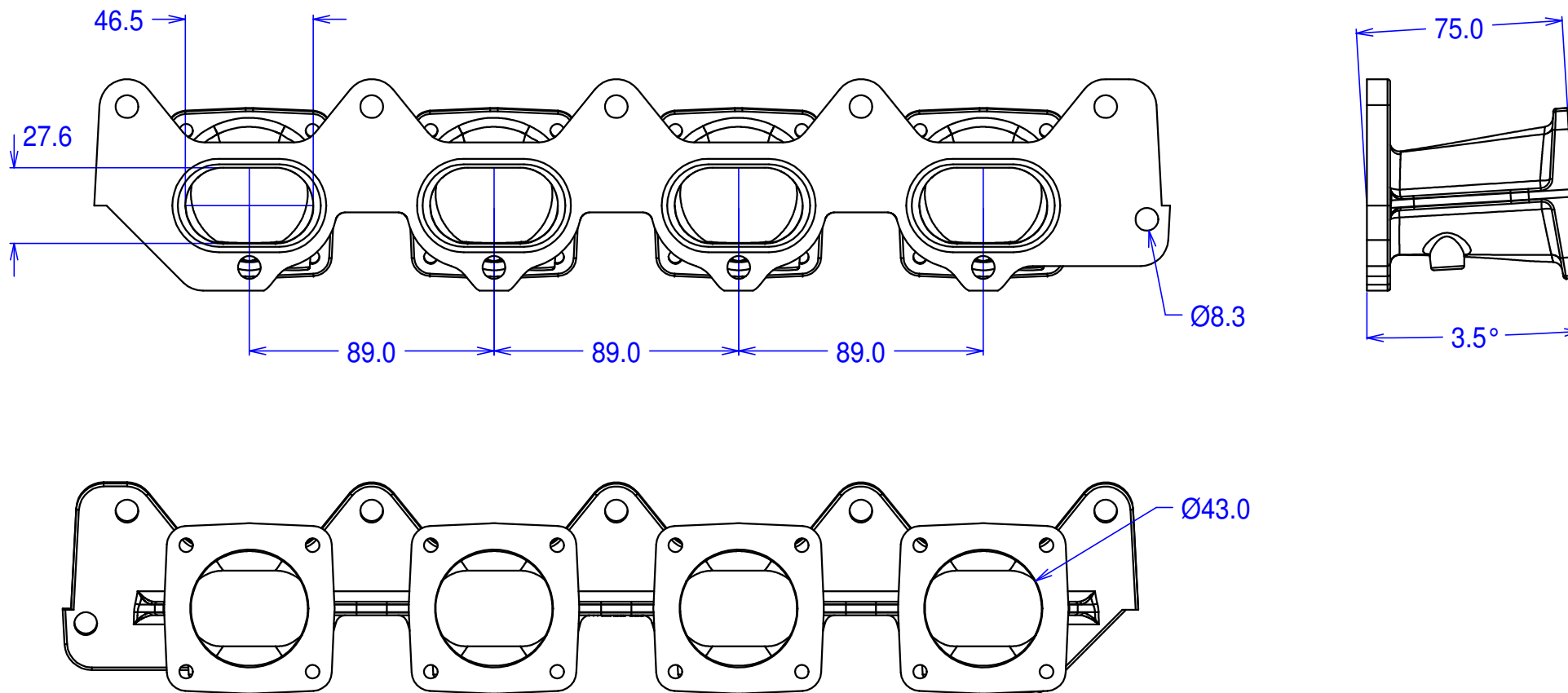


## MR23 - Renault Clio 172 (RS) manifold for individual throttle bodies



Flanges for Jenvey SF throttle bodies. May be ported out to 46mm at body flange and proportionally at head flange.  
Undrilled tapping bosses on underside for brakes, fast idle valve, sensors etc.  
O ring seal to cylinder head.