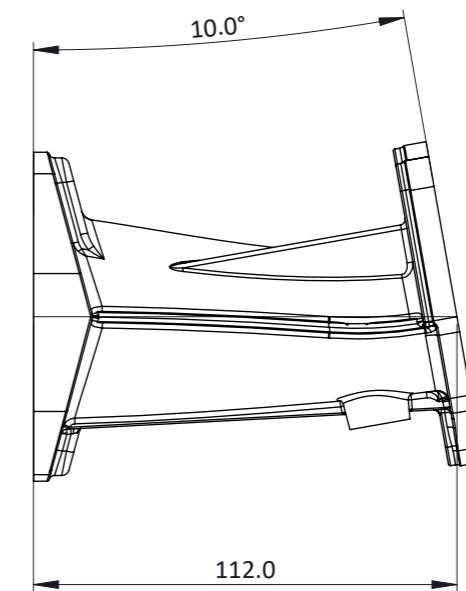
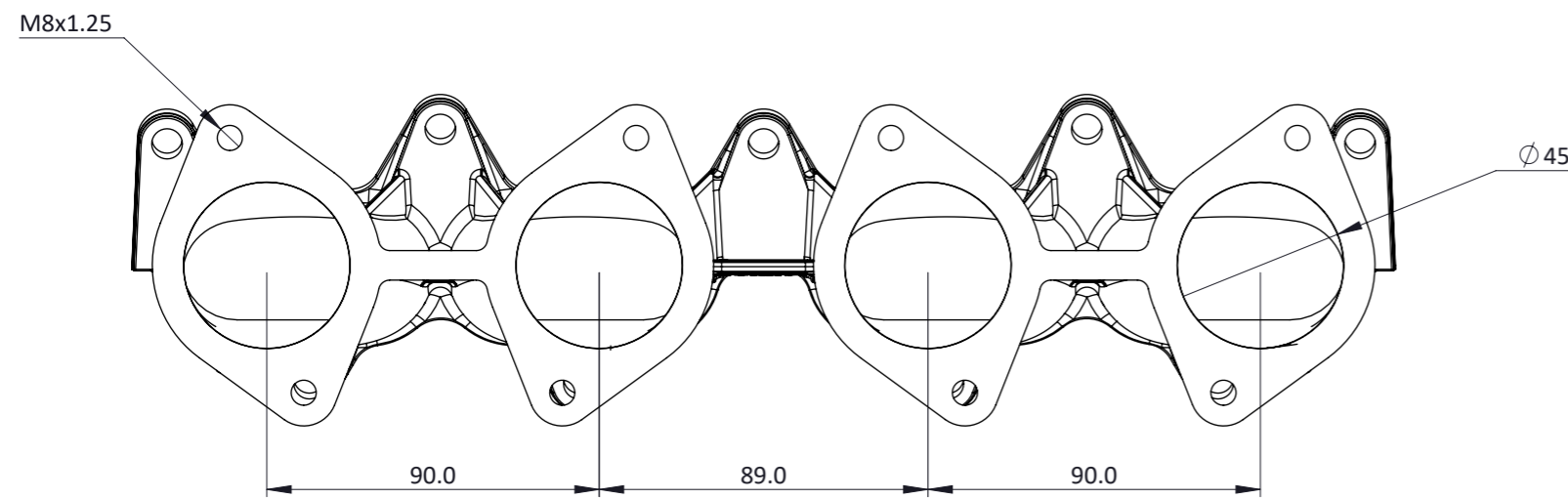
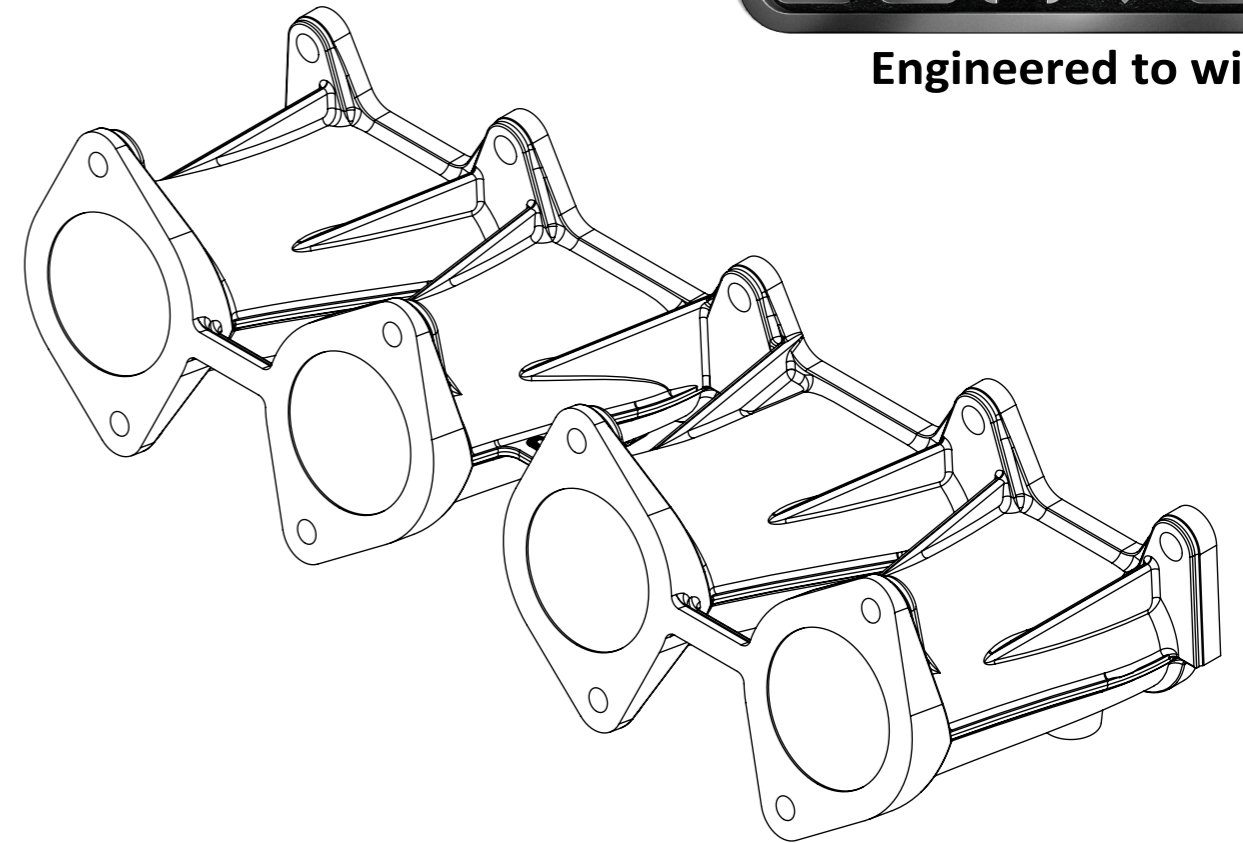
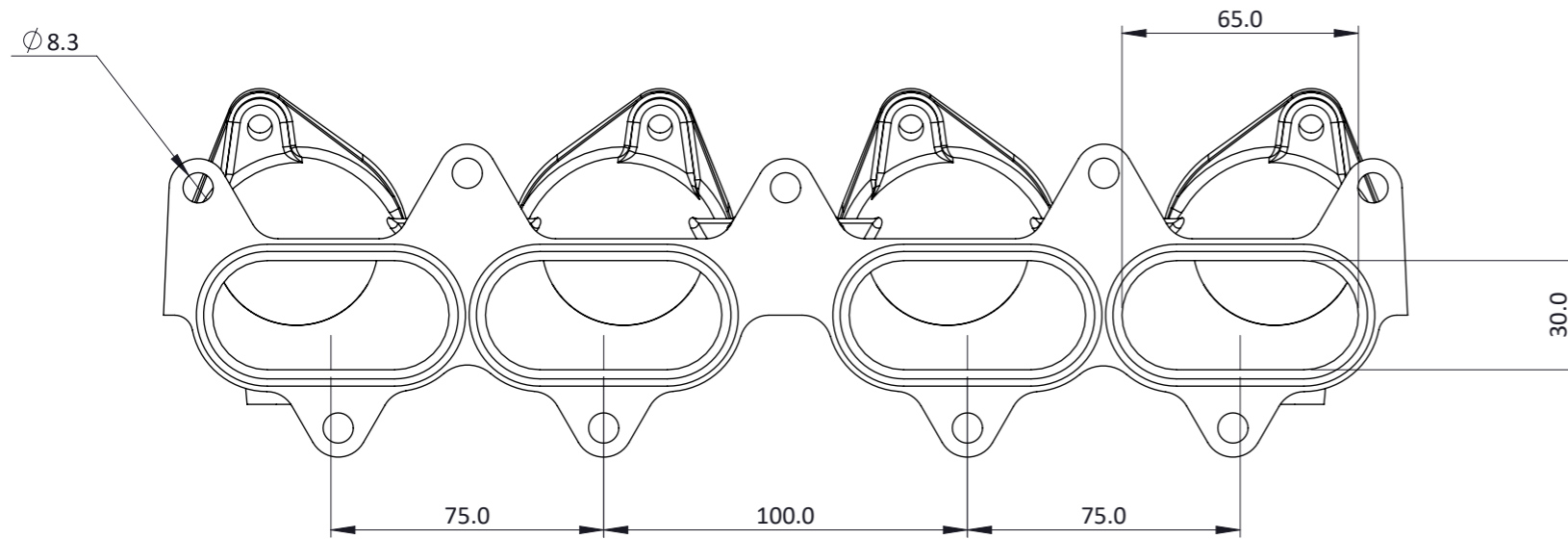


MTY02 - 4AGE BIG PORT



Engineered to win



MANIFOLD TO FIT THE 1ST GEN "BLUE TOP" & 2ND GEN "RED & BLACK TOP" BIG PORT 4AGE ENGINES.

HAS A DCOE STYLE FLANGE COMPATIBLE WITH JENVEY TWIN THROTTLE BODIES (TB, TH, TS & TU).

USES AN O-RING TO SEAL TO TO THE HEAD.

PORTING UP TO $\phi 48$ mm AT THROTTLE BODY FLANGE ONLY.

INCLUDES 2 UNDRILLED BOSSES UNDERNEATH THE MANIFOLD FOR VACUUM TAKE OFFS.

Frame: 1 of 1

Version: 1

Tel 01746 768810

© JENVEY DYNAMICS LTD. 2015

Web WWW.JENVEY.CO.UK

