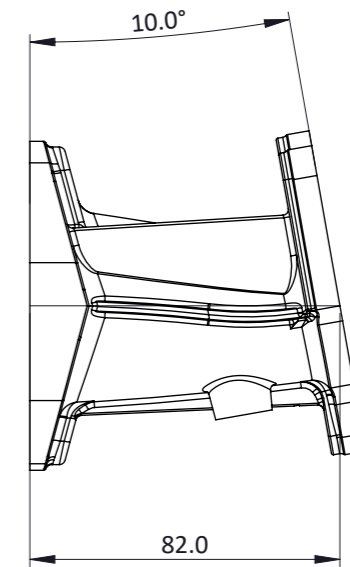
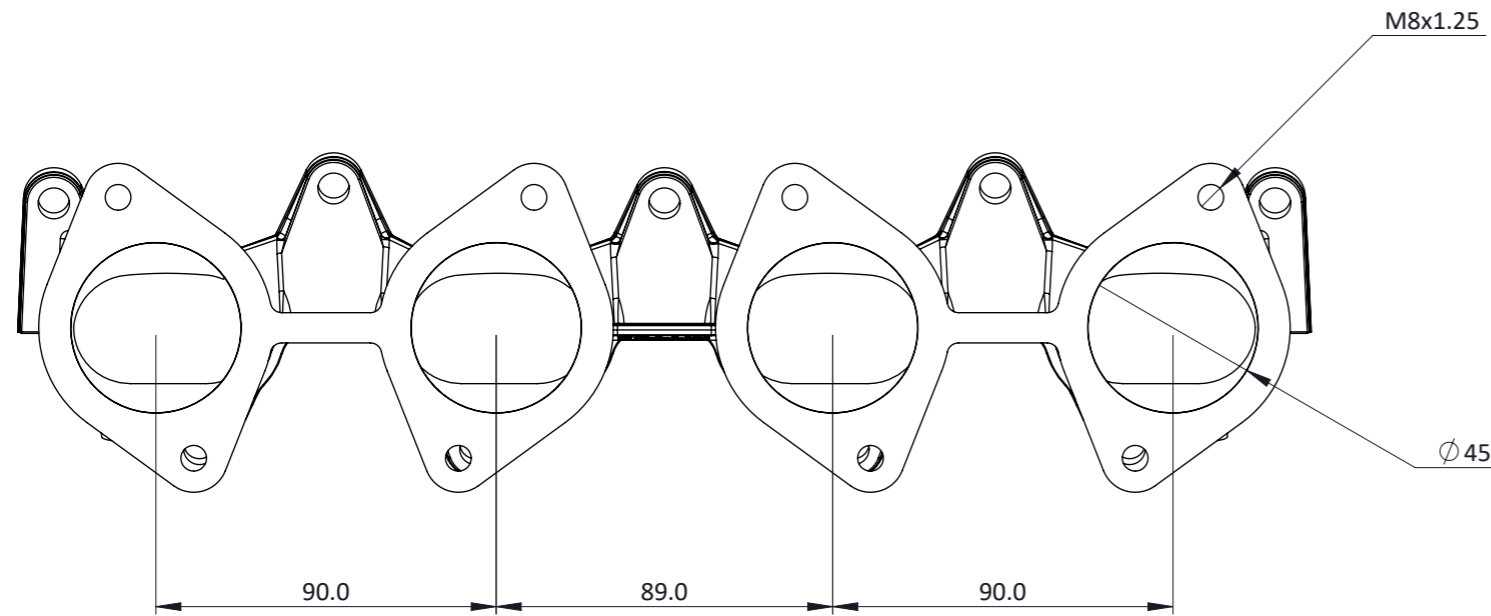
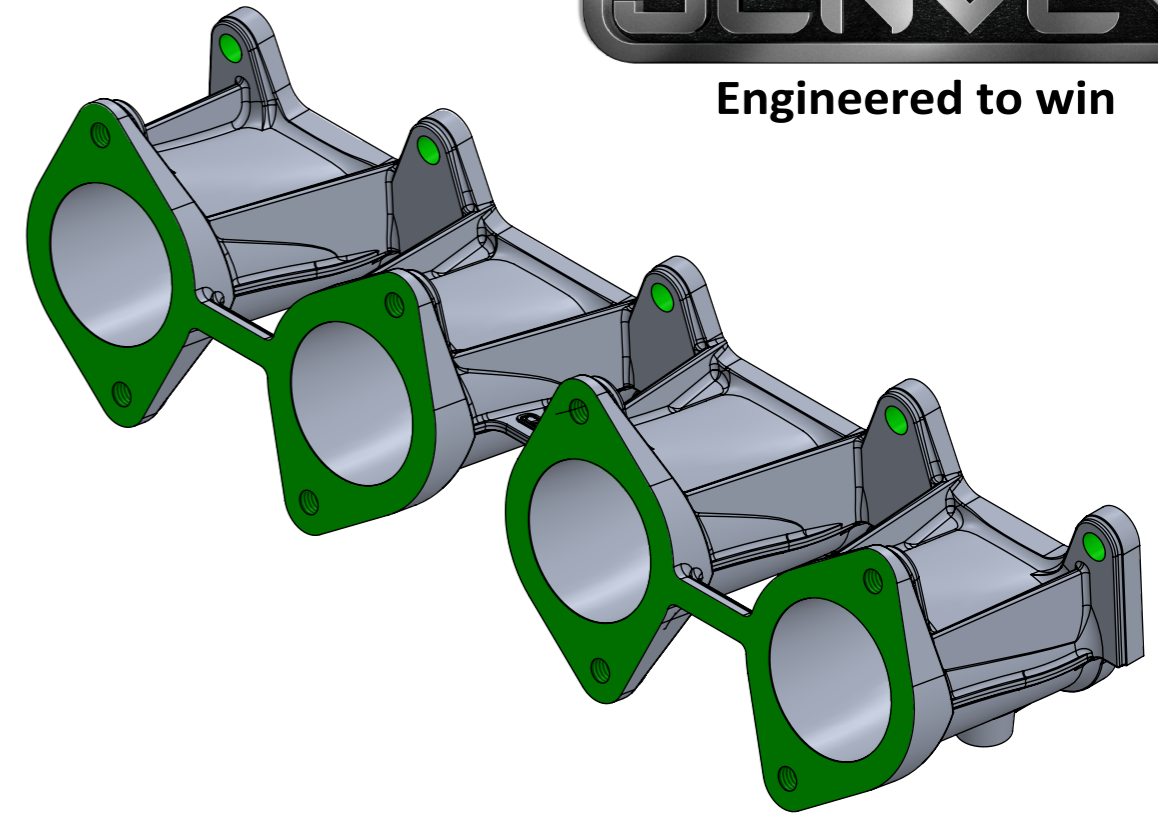
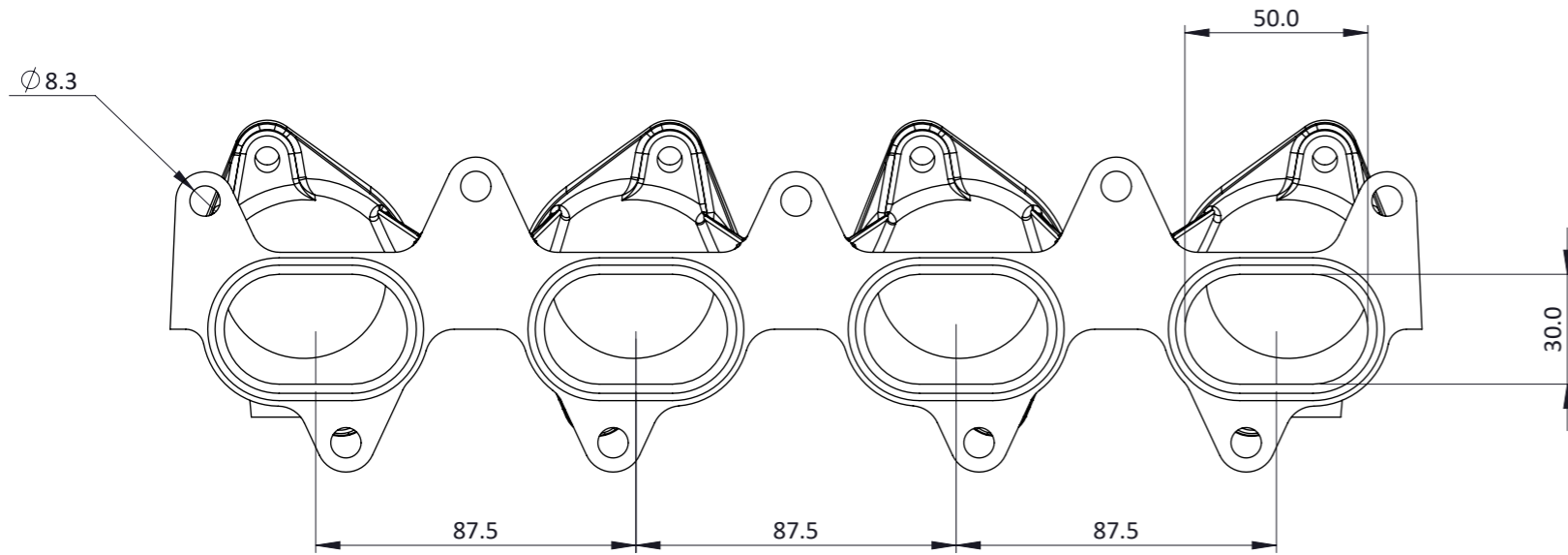


MTY03 - 4AGE SMALL PORT



Engineered to win



MANIFOLD TO FIT THE 3RD GENERATION 4AGE "RED TOP" (SMALL PORT) ENGINE.

HAS A DCOE STYLE FLANGE COMPATIBLE WITH JENVEY TWIN THROTTLE BODIES (TB, TH, TS & TU).

USES AN O-RING TO SEAL TO TO THE HEAD.

INCLUDES 2 UNDRILLED BOSSES UNDERNEATH THE MANIFOLD FOR VACUUM TAKE OFFS.

Frame: 1 of 1

Version: 1

Tel 01746 768810

© JENVEY DYNAMICS LTD. 2015

Web WWW.JENVEY.CO.UK

