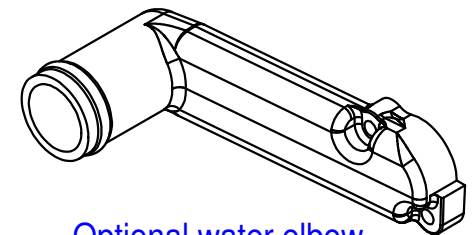
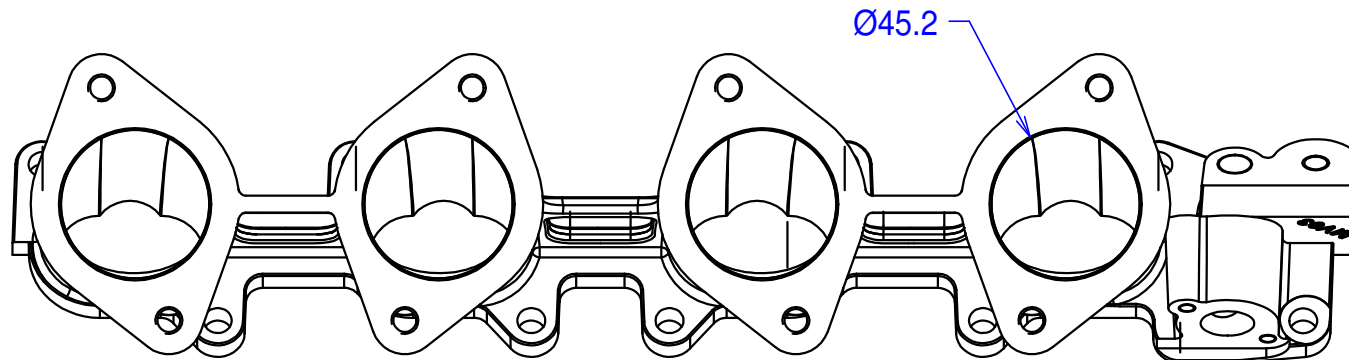
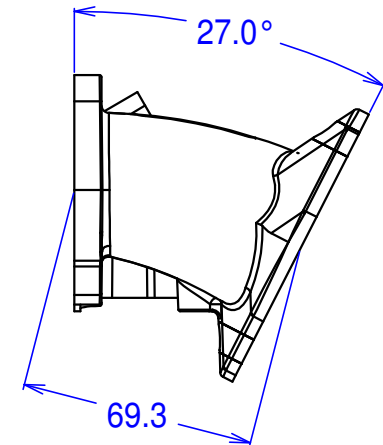
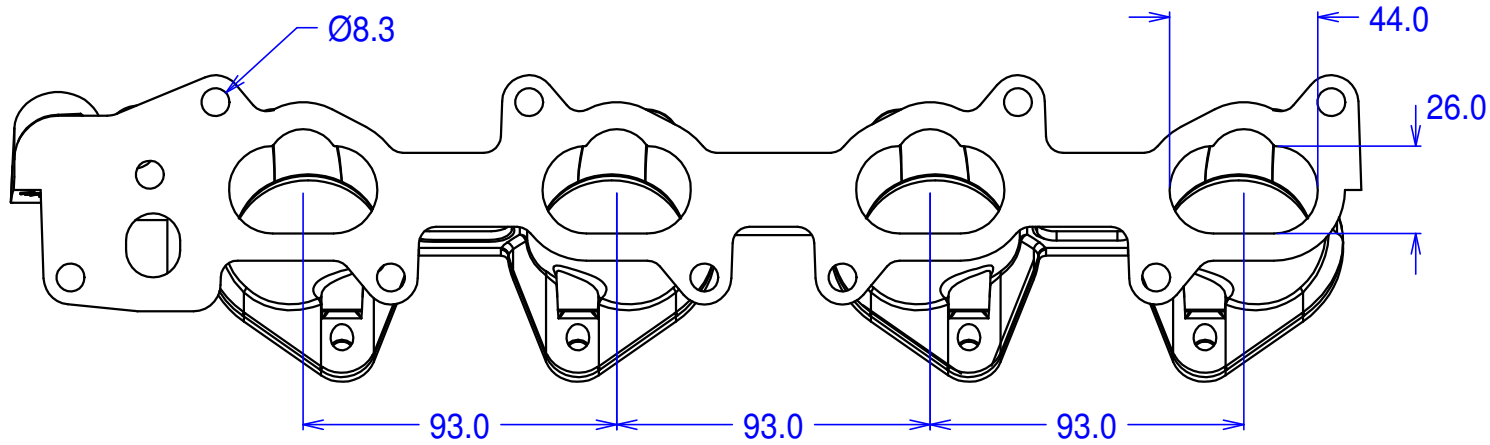




© Jenvey Dynamics Ltd 2000-2010
Issue 2
www.jenvey.co.uk

MV03 - Opel & Vauxhall XE manifold for twin throttle bodies - 27° angle



Optional water elbow

May be ported out to 50mm at body flange and proportionally at head flange.
Bosses on underside for vacuum tapings.
Optional water elbow (MWE01) for standard hoses.