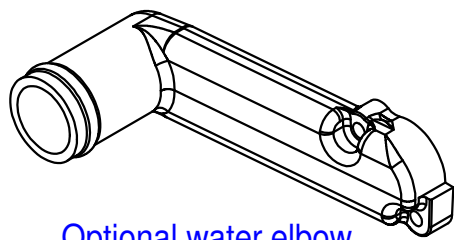
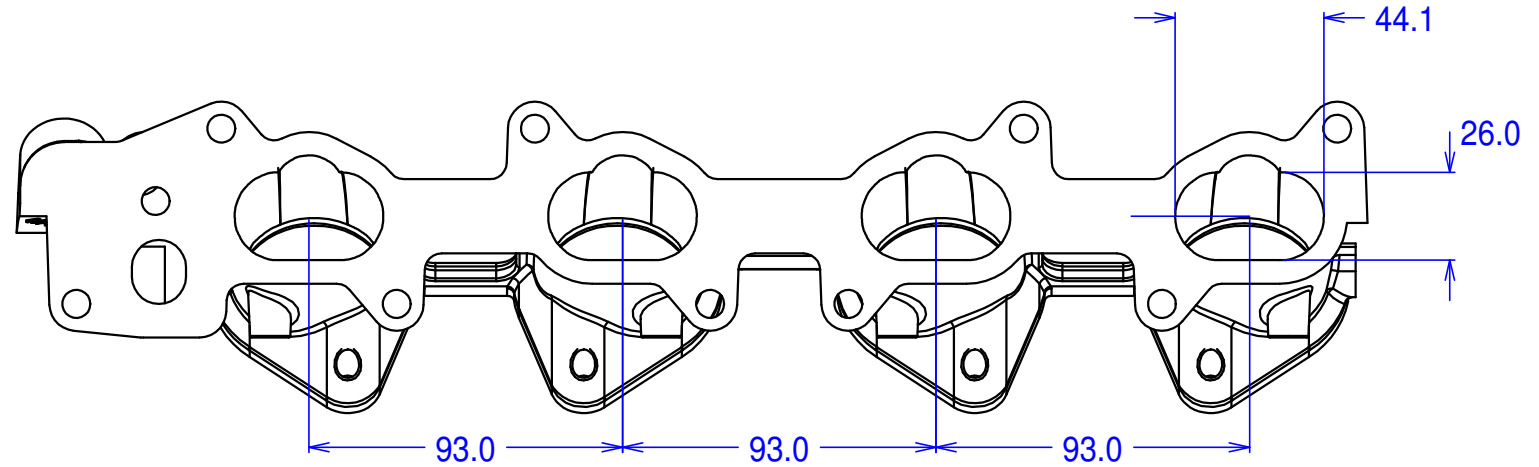
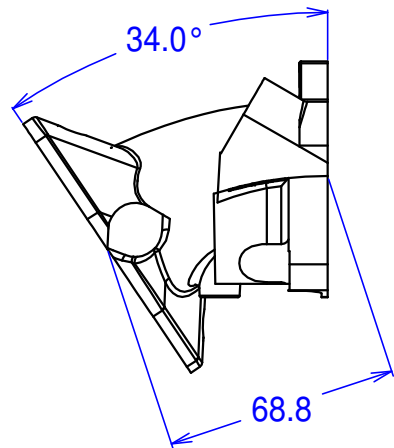
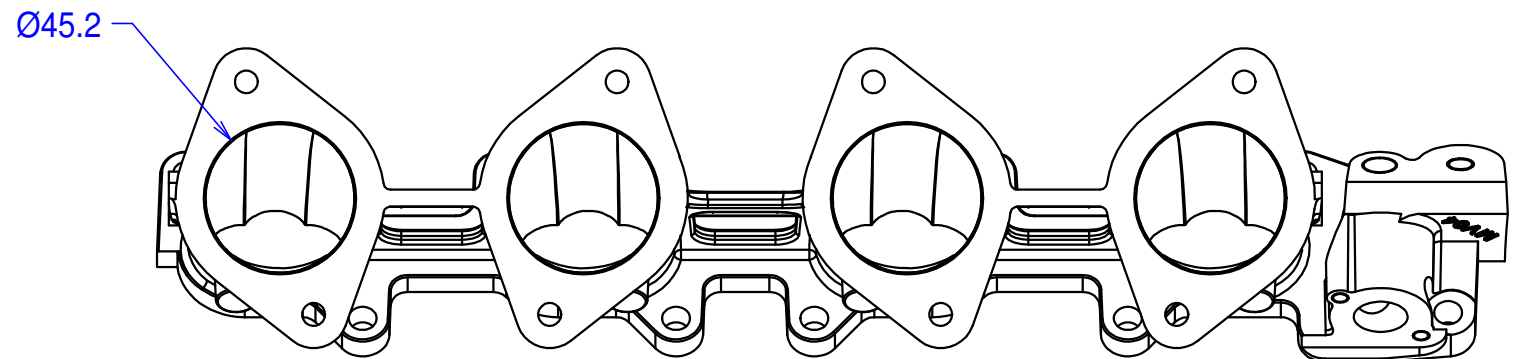


## MV04 - Opel & Vauxhall XE manifold for twin throttle bodies - 34° angle



Optional water elbow



May be ported out to 50mm at body flange and proportionally at head flange.  
Bosses on underside for vacuum tapings.  
Optional water elbow (MWE01) for standard hoses.