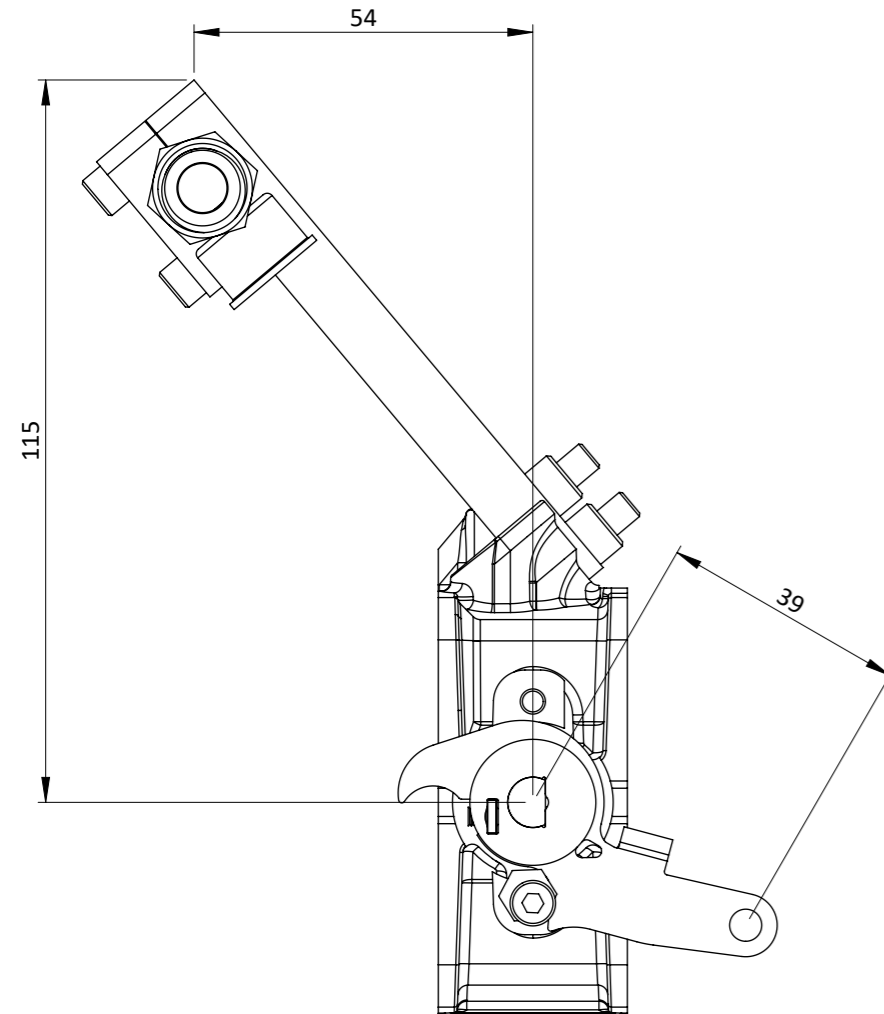


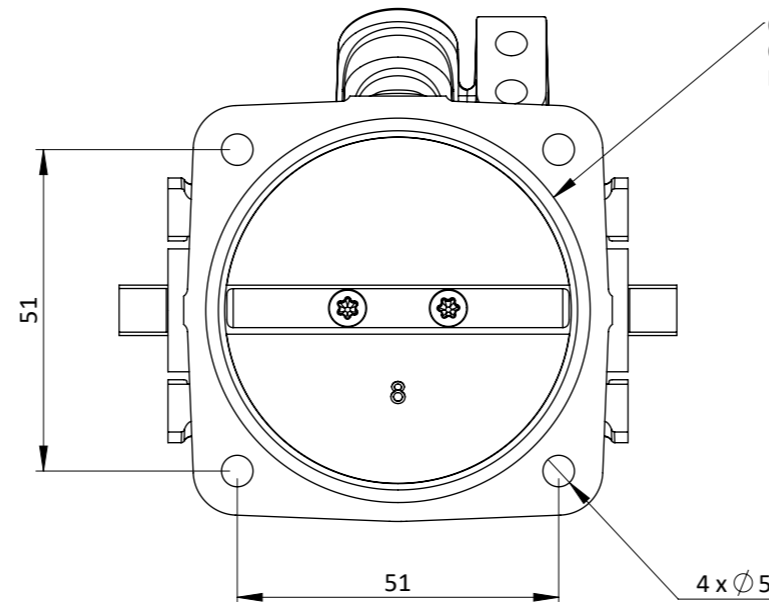
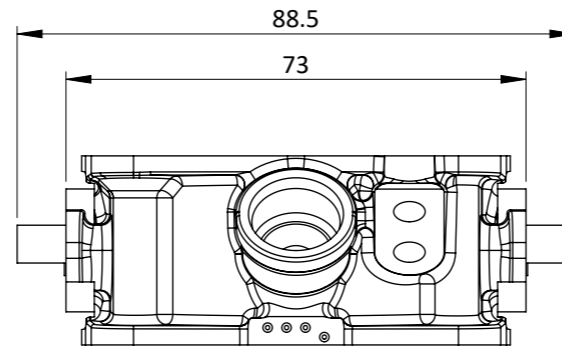
SDS-WEB - SHORT, LARGE INDIVIDUAL THROTTLE BODY



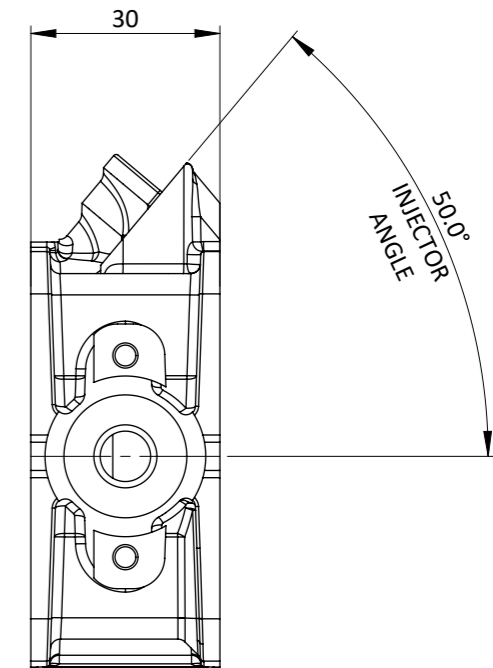
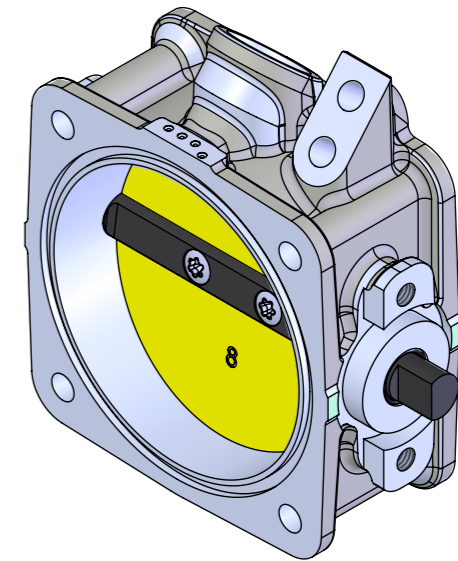
Engineered to win



ABOVE DRAWING SHOWS MEASUREMENTS FOR 'LONG' BOSCH STYLE INJECTORS W/ RIGHT HAND LEVER FITTED



O-RING GROOVE AVAILABLE ON BORE SIZES 55mm OR LESS



THE SDS BODY FITS THE SAME FLANGES AS THE SFD RANGE AND IS ONLY AVAILABLE WITH AN INJECTOR POCKET. IT IS AN EXTREMELY COMPACT BODY ALLOWING VERY LONG AIR HORNS TO BE USED WITHIN A GIVEN SYSTEM LENGTH.
 AVAILABLE SIZES ARE; 52, 55, 57, 58 AND 60mm BORES.
 BODIES COME WITH 'O' RINGS (IF APPLICABLE) AND FITTING KITS. COMPLETE WITH RIGHT HAND LEVER (WHEN ORDERING 1 BODY) OR STANDARD IN-LINE INTERCONNECTING LINKS WHEN ORDERING A NUMBER OF BODIES

Frame: 1 of 1

Version: 1

Tel 01746 768810

© JENVEY DYNAMICS LTD. 2024

Web WWW.JENVEY.CO.UK

