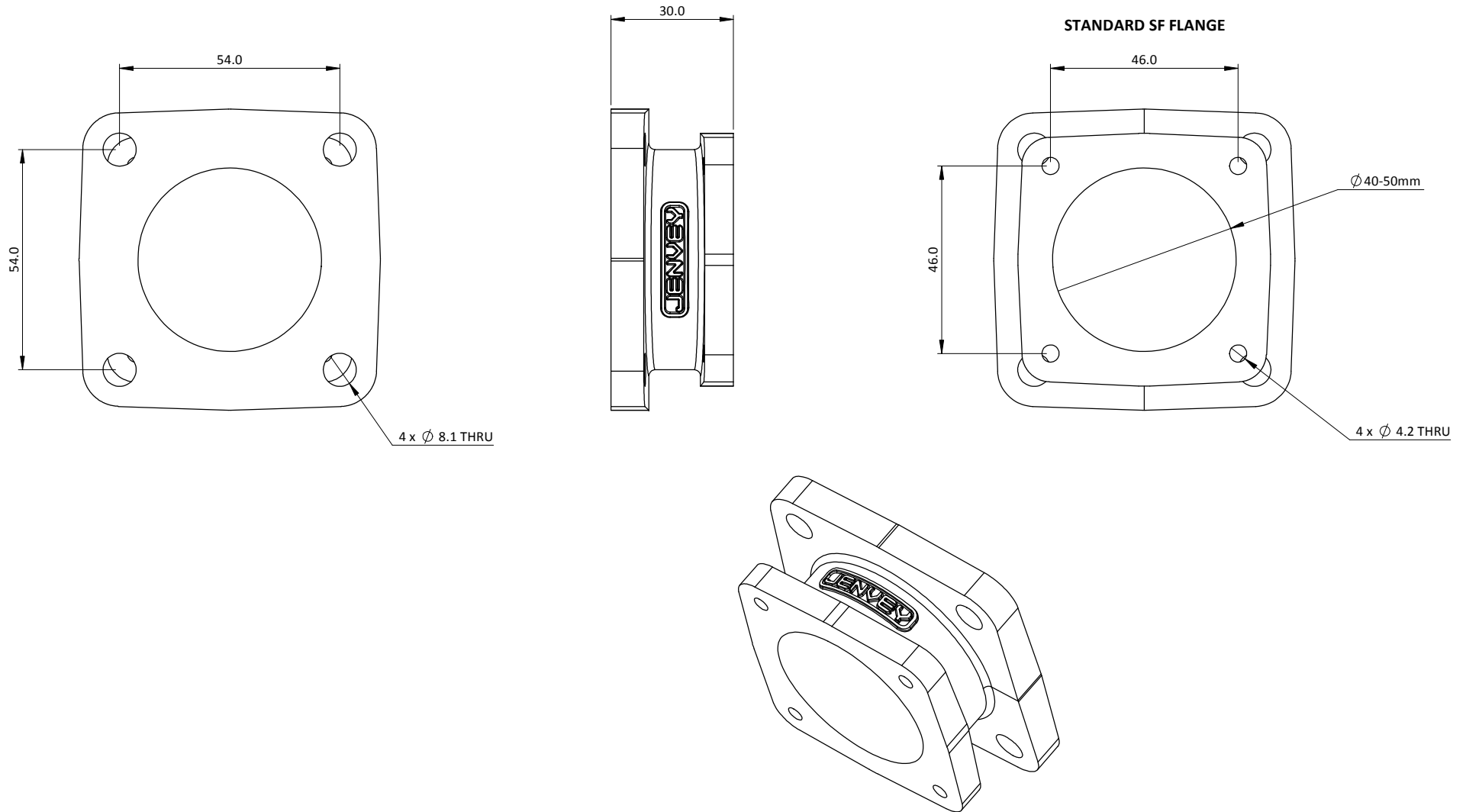


SF-SUXX - SU/STROMBERG TO SF ADAPTER XX (40-50mm)



Engineered to win



A CAST ALUMINIUM ADAPTER TO CONVERT AN SU INLET MANIFOLD TO TAKE AN SINGLE SF THROTTLE BODY.
CAN BE MADE 40 TO 55MM BORE AT 30MM LONG.

Frame: 1 of 1	
Version: 1	
Tel 01746 768810	© JENVEY DYNAMICS LTD. 2015
Web WWW.JENVEY.CO.UK	