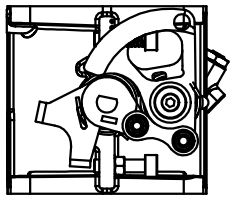
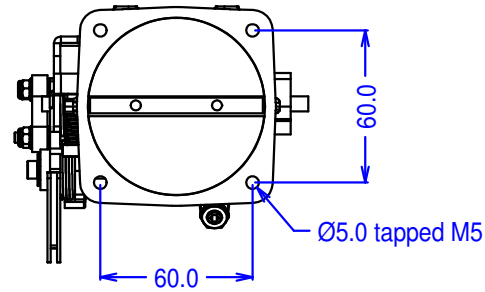


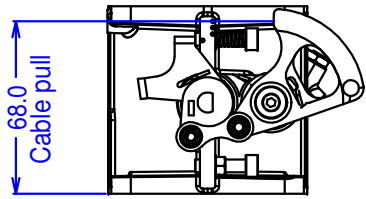


SFG single bore 60 - 70mm throttle body

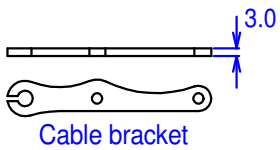
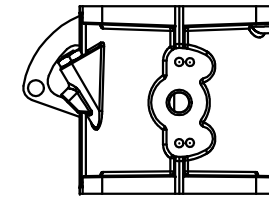
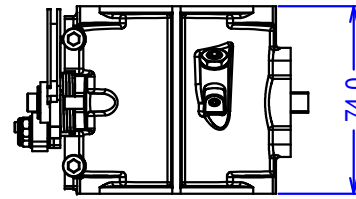
© Jenvey Dynamics Ltd 2000-2010
Issue 2
www.jenvey.co.uk



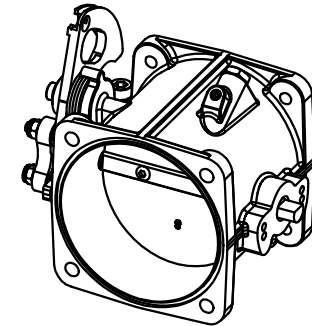
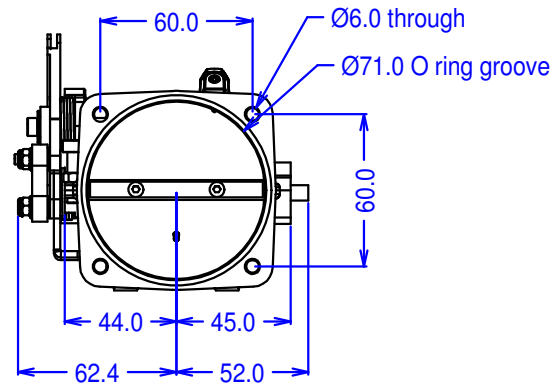
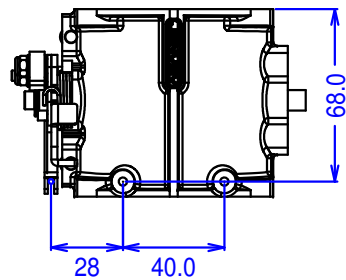
Full throttle
Cable travel 46mm



Idle



Cable bracket



The SFG throttle body is the basis of the bodies which have proved so successful in the World, European and British Touring Car championships. It is normally configured to supply one or more banks of cylinders via a manifold and is suitable for use with high levels of boost. The lever mechanism has two springs and gives a rising-velocity opening rate. The Bodies come with 'O' rings, cable mounting and fitting kits. Operating data; Cable travel: 46mm. Spring force to lift from idle: 10N; in last 1 degree: 25N, with exponential rise between. Other items; Throttle potentiometers.