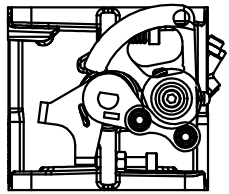
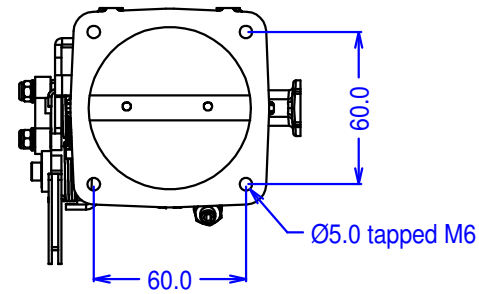


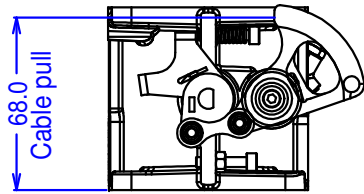


SFGE single bore 64mm throttle body

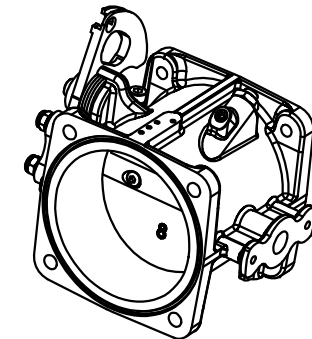
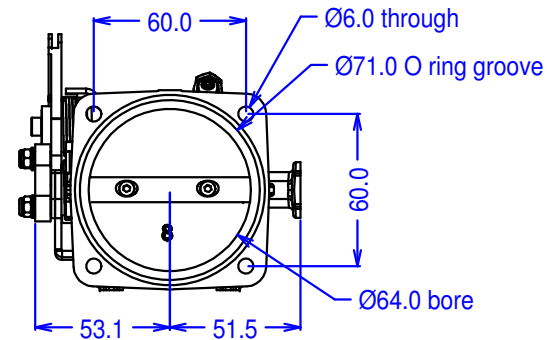
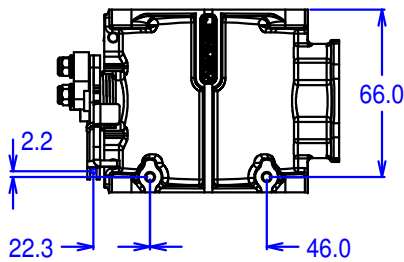
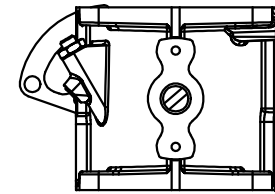
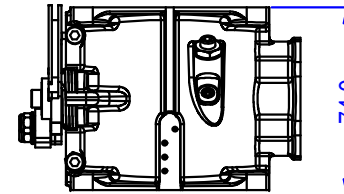
© Jenvey Dynamics Ltd 2000-2010
Issue 2
www.jenvey.co.uk



Full throttle
Cable travel 46mm



Idle



The Jenvey S2000 throttle body is designed to comply with the Super 2000 touring car homologation requirements. It is very light and includes a 10mm + (Minimum 10.02mm) spindle diameter to comply with the regulations. The throttle position sensor mounting is suitable for the Novotechnik SP and Penny & Giles SRS280 models. The lever mechanism has two springs and gives a rising-velocity opening rate. The Bodies come with 'O' rings, throttle pot mounting seal and fitting kits.

Operating data; Cable travel: 46mm. Spring force to lift from idle: 10N; in last 1 degree: 25N, with exponential rise between.