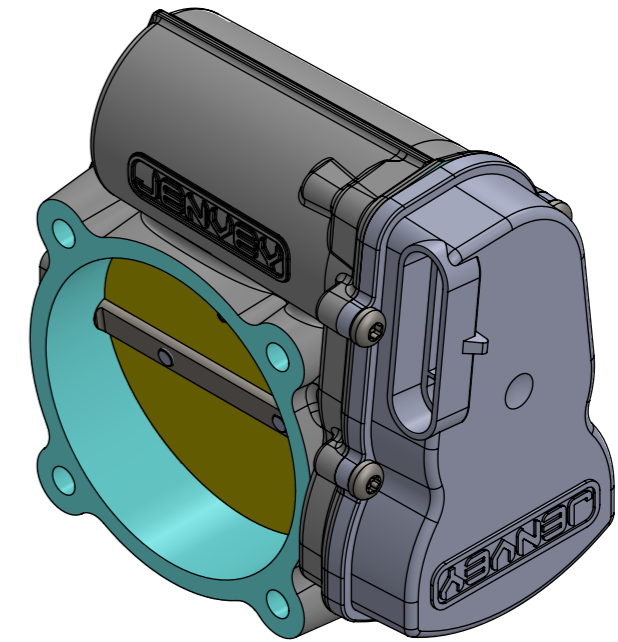
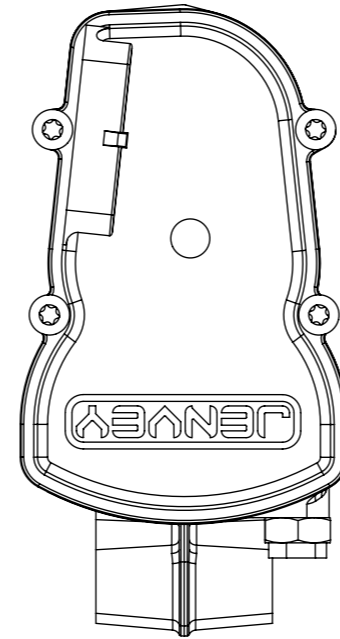
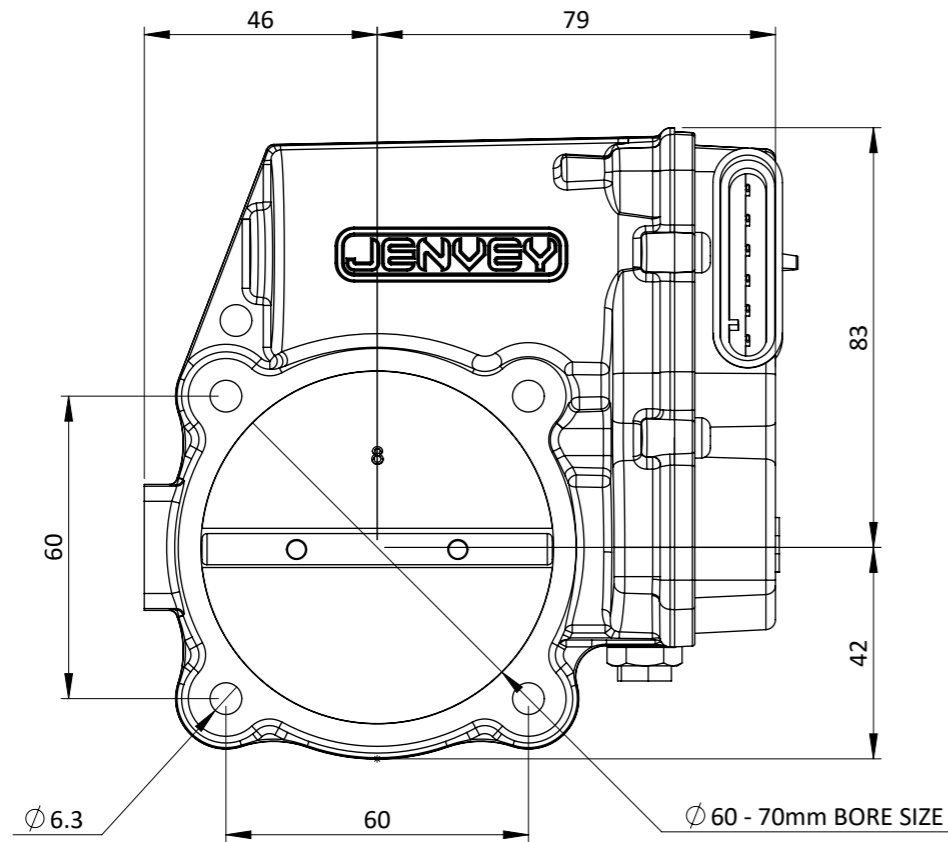


SFGZXX-WEB - ELECTRONIC SINGLE THROTTLE BODY

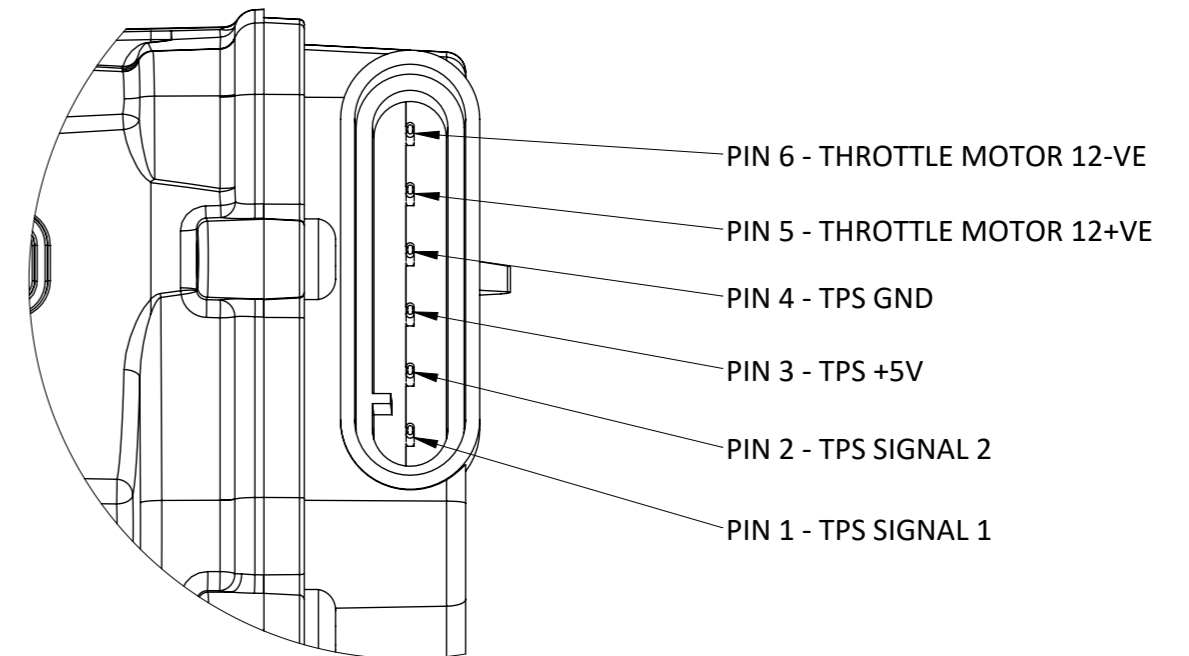
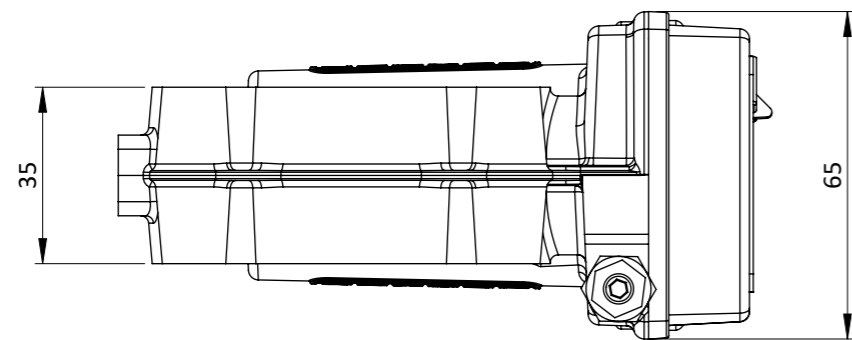


Engineered to win



THROTTLE BODY COVER PIN-OUT

REQUIRES: AMP SUPERSEAL 1.5, 1 ROW, 6 POSITION CONNECTOR



LARGE SINGLE BORE MOTORSPORT ELECTRONIC THROTTLE BODY IDEAL FOR USE ON FORCED INDUCTION SYSTEMS.

AVAILABLE IN 60-70MM BORE SIZES, INCLUDES AN; INTERGRATED DUAL OUTPUT TPS, LIMP HOME, O-RING SEAL ON OUTLET.

DESIGNED TO FIT THE JENVEY TURBO PLENUM APSC2-XX

Frame: 1 of 1

Version: 1

Tel 01746 768810

© JENVEY DYNAMICS LTD. 2021

Web WWW.JENVEY.CO.UK

