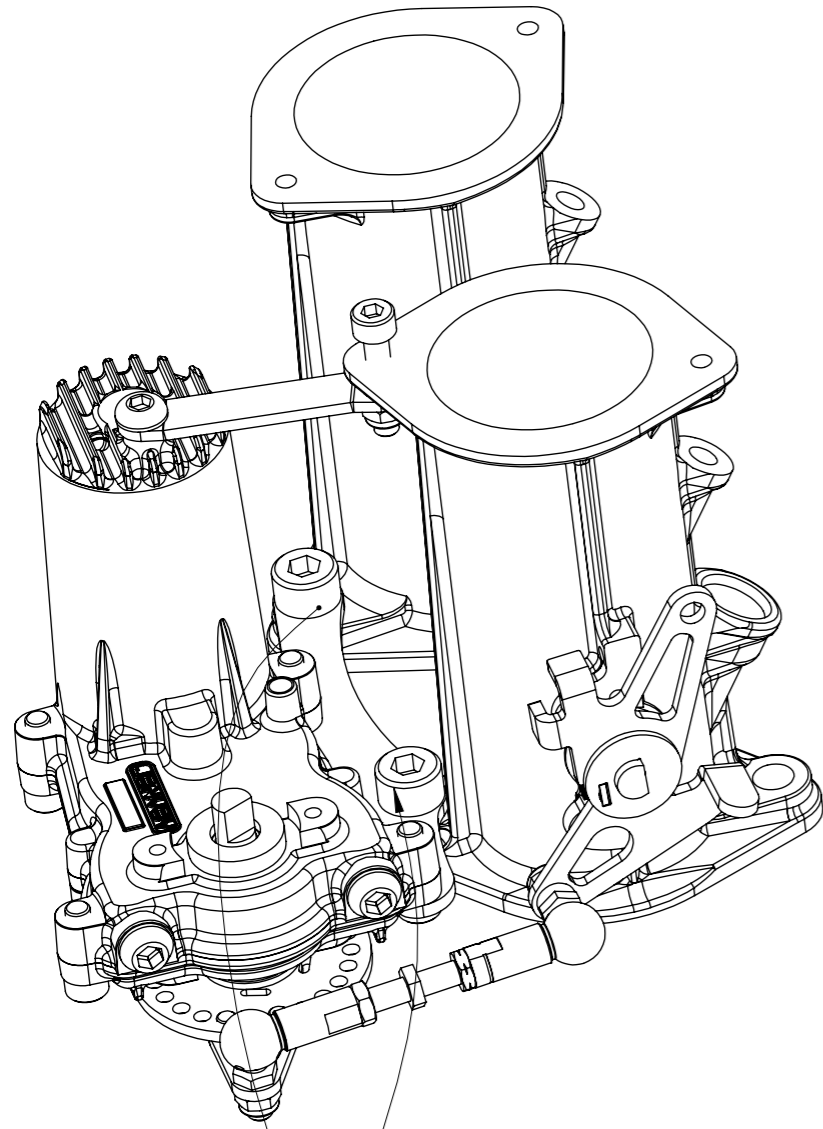


# ETA2 INSTALLATION ON TB BODIES WITH BKE2-TB -



Engineered to win

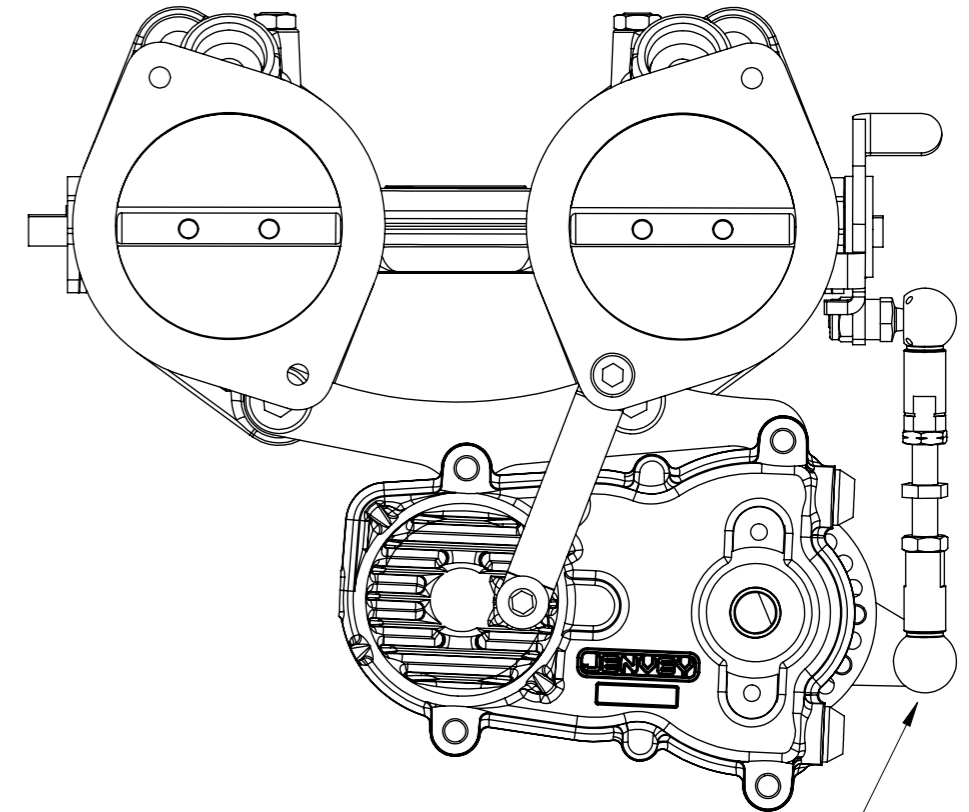
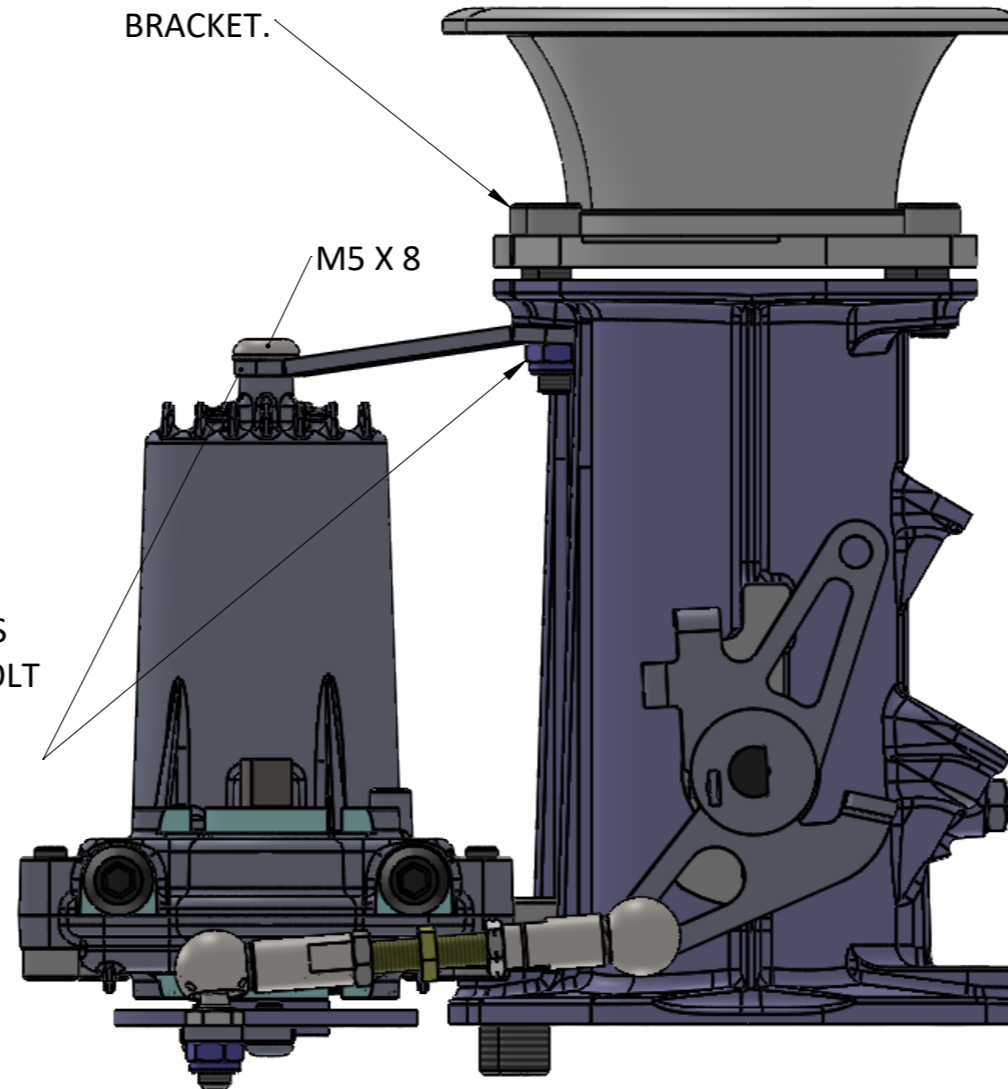


BRACKET M5 X 20 BOLTS SECURE ONTO BOTTOM FLANGE OF THROTTLE BODIES.

TOP STABILISER BRACKET IS BOLTED WITH AIRHORN BOLT THROUGH TOP FLANGE ON THROTTLE BODY.

M5 X 25 BOLT AND NYLOC NUT TO BE FITTED FOR STABILISER BRACKET.

M5 X 8



LINKAGE BALL JOINTS CONNECT LEVER ON ETA TO LEVER ON THROTTLE BODY.

Frame: 1 of 1

Version: 1

Tel 01746 768810

© JENVEY DYNAMICS LTD. 2021

Web WWW.JENVEY.CO.UK

